



Parts Manual

EN 280:2013/A1:2015

A14JE

**Mobile Elevating Work
Platforms**

**LWJAZ140*P2710007
-LWJAZ140*P2710013**

PART NO. A1408J0NDQ0CE3042-G1

Spare parts and services:

For the owner of the machines of LGMG, only the spare parts and services of LGMG can make your machine to better maintain the original features.

Only LGMG can provide you with the most appropriate matching parts and the most professional maintenance personnel to guarantee sustainable high productivity and longer service life of machine.

2024-12 version 1 Printed 1

LINGONG HEAVY MACHINERY CO.,LTD.

Add: 2676 Kejia Road, high tech Zone, Jinan City, Shandong Province, China

Tel : 86-0531-67601108

Fax : 86-0531-67601108

Service Tel : 86-0531-67605016

Web : www.lgmg.com.cn

FOREWORD

This parts manual aims to help users to operate, repair and maintain the machine in the use of machine for ease of reference. It can also help the users to understand the structure and assembly relation of the machine.

The Parts Manual has made it clear for users to look up the drawings of different parts and assembly relations systematically. After assembly, disassembled components, such as welding parts or riveted assemblies, are marked only by their codes expect for their applied parts.

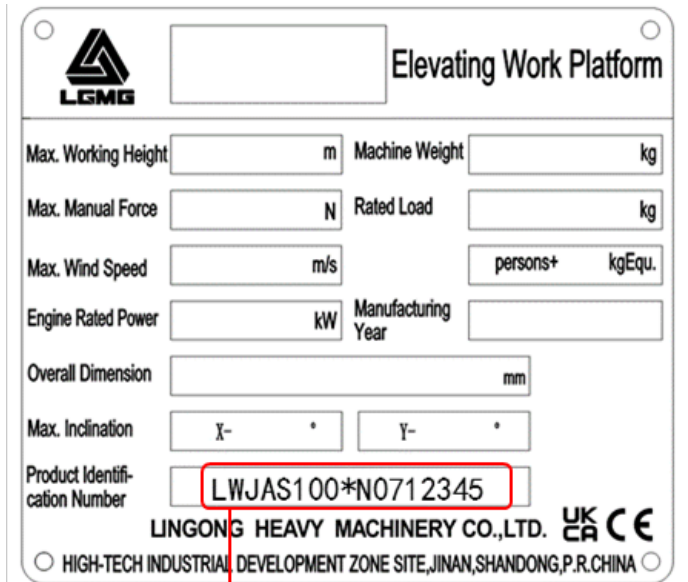
LGMG has endeavored to deliver the highest degree of accuracy possible. However, continuous improvement of our product is a LGMG Policy. Therefore, product specifications are subject to change without notice. When ordering the spare parts, please inform us of the manufacturing year and product identification number of the machine.

Readers are encouraged to notify LGMG of errors and send in suggestions for improvement. All communications will be carefully considered for future printings of this and all other manuals.

PIN and Virtual Code of the Whole Machine Description

Please find the information as follows:

- Locate the nameplate from the product
- Get the PIN from the nameplate as shown below
- Get the virtual code of the whole machine from PIN



The nameplate for an Elevating Work Platform includes the following fields:

Max. Working Height	<input type="text"/>	m	Machine Weight	<input type="text"/>	kg
Max. Manual Force	<input type="text"/>	N	Rated Load	<input type="text"/>	kg
Max. Wind Speed	<input type="text"/>	m/s		<input type="text"/>	persons+ kgEqu.
Engine Rated Power	<input type="text"/>	kW	Manufacturing Year	<input type="text"/>	
Overall Dimension	<input type="text"/> mm				
Max. Inclination	<input type="text"/>	°	<input type="text"/>	<input type="text"/>	°
Product Identification Number	<input type="text" value="LWJAS100*N0712345"/>				

LINGONG HEAVY MACHINERY CO.,LTD. UK CE
HIGH-TECH INDUSTRIAL DEVELOPMENT ZONE SITE, JINAN, SHANDONG, P.R. CHINA

PIN → LWJAS100*N0712345 → The virtual code of the whole machine

How to Order Parts

Please be prepared with the following information when ordering replacement parts for your LGMG product.

- Machine model number
- Machine serial number
- Part number
- Part description and quantity
- Purchase order number
- "Ship to" Address
- Desired method of shipment
- Name and telephone number of the authorized distributor in your area

If you don't know the name of your authorized distributor, or if your area is not currently serviced by an authorized distributor, please call LGMG Industries.

CONTENTS

B Decals

B3400-2534004966.S1A	Decals installation-A14JE	2
----------------------	---------------------------------	---

C Drive Chassis Components

C1700-2529001208.S6D-G2	LH hood delivered assembled	10
C1700-2529001190.S5C-G2	RH hood delivered assembled	12
C1700-2529001315.S-G5	Covering accessories	14
C0500-2505000127.S1C-G1	Rear axle assy	16
C0400-2504000501.S1A	FR axle delivered assembled	18
C0400-2504000205.S1B	LH steering yoke assy	20
C0400-2504000503.S1B	LH steering yoke delivered assembled	22
C0400-2504000289.S1B1-G2	FR axle assy.	24
C3100-4130701606	AC traveling motor assy	26
C0500-2505000280.S1A	RR axle delivered assembled	28
C0700-2516001021.S1B-G1	Chassis assy	30
C0800-2518000968.S1A-G2	RH battery box assy	32
C0800-2518000967.S1A-G2	LH battery box assy	34
C0800-2518000966.S-G1	Battery and oil tank side	36
C0400-2504000206.S1B	RH steering yoke assy.	38
C0400-2504000504.S1B	RH steering yoke delivered assembled	40
C3100-2532001068.S1F1-G1	Chassis elec assy	42

D Turntable Components

D2500-2525000001.S1C	Swing mechanism assy.	52
D2800-2528000012.S1B	Counterweight assy	54
D1400-2523002274.S1A-G1	Turntable assy	56

E Scissor(Boom Structure) Components

E2700-2524000002.S1A	Lwr bellcrank assy	64
E2700-2527000030.S1C	Jib assy.	66
E1800-2522000001.B1C1-G1	Boom assy	68
E2400-4190707471	Cable track assy (11131)	70
E2700-2527000001.S1D	Cable track sys.	72
E2200-2522000034.S1A	Lwr arm 1 assy.	74
E2200-2522004683.S1A-G5	Upr arm 2 assy	76
E2200-2522000043.S1A	Upr arm 1 assy	78
E2200-2522004685.S1B	Lwr arm 2 assy	80
E1800-2522000301.S1C-G1	Secondary boom assy	82
E2200-2522000069.S1A-G1	Primary boom subassy	86
E2200-2522001186.S1B	Shield assy	88
E2200-2522000068.S1B-G1	Telescopic boom assy	90

F Platform Components

F2100-2521003944.S1B	Triangular bracket assy	94
F2100-2521004171.S1B1-G1	Platform support assy	96
F2100-2521004170.S1F-G1	Platform assy	98
F2100-2521003960.S1C	Sliding rail with U-bolts	100
F2100-2521003957.S1C	Sliding rail with U-bolts	102
F2100-2521006048.S1A	Platform assy delivered assembled	104
H Hydraulic Hose Routing and Fittings		
H0900-2509000358.S1A-G12	Emergency bracket assy	108
H2502-4120706861	Power unit 24V 220bar	110
H2500-4120001432089	Swing drive assy brake	112
H2500-4120001432087	Swing drive assy motor assy.	116
H0900-2509000120.S1D	Swing hyd assy	120
H2201-4120001427-G2	Air filter EF2-32 (10293)	124
H2200-2510000680.S3C-G1	Hyd oil tank delivered assembled	126
H2700-4120706642	Boom function valve manifold ST5161-AE0A	128
H2500-4120001675	Oil return filter.	130
H2500-4120001432088	Swing drive assy balancing valve manifold	132
H2200-2510000001.B1E-G1	Hyd oil tank assy	136
H0701-4120703559	Reducer assy 4HB001F0B30064	138
H2301-4120704841	Steering hyd cyl assy (10570)	142
H0700-2507000401.S1C	Traveling hyd assy.	144
H2300-4120001431	Gear pump assy.	146
H0800-2508000038.S1B	Telescopic boom ext/ret hyd assy.	148
H2401-4120704842	Boom lift hyd cyl assy 10570.	150
H0800-2508000037.S1C-G1	Telescopic boom lift hyd assy	152
H2400-4120703873	Lift counterbalance valve STA0612R4G38C00	154
H2401-4120001536	Secondary boom lift hyd cyl assy (10570)	156
H0800-2508000040.S1C-G1	Secondary boom lift hyd assy	158
H0800-2508000036.S1E-G1	Lift hyd assy	160
H2700-4120706343	Platform rotator 055009B651 (10288)	164
H2400-4120706074	Lwr level hyd cyl 75*40-345-645 (10570)	168
H2700-4120001481	Balance valve assy STA0322R4G14000	170
H2301-4120705182	Jib hyd cylinder assy (10570)	172
H1200-2512000001.S1G-G1	Platform hyd assy	174
H2400-4120705132	Boom ext/ret balancing valve manifold.	180
H2401-4120703561	Telescopic boom ext/ret hyd cyl assy 10570	182
J Accessories		
J0000-2500000512.S1A-G1	Schematic.	186
J3200-2521004246.S1B-G3	Safety bar assy	188
J3300-2533001615.S1B-G1	Safety protection assy	190

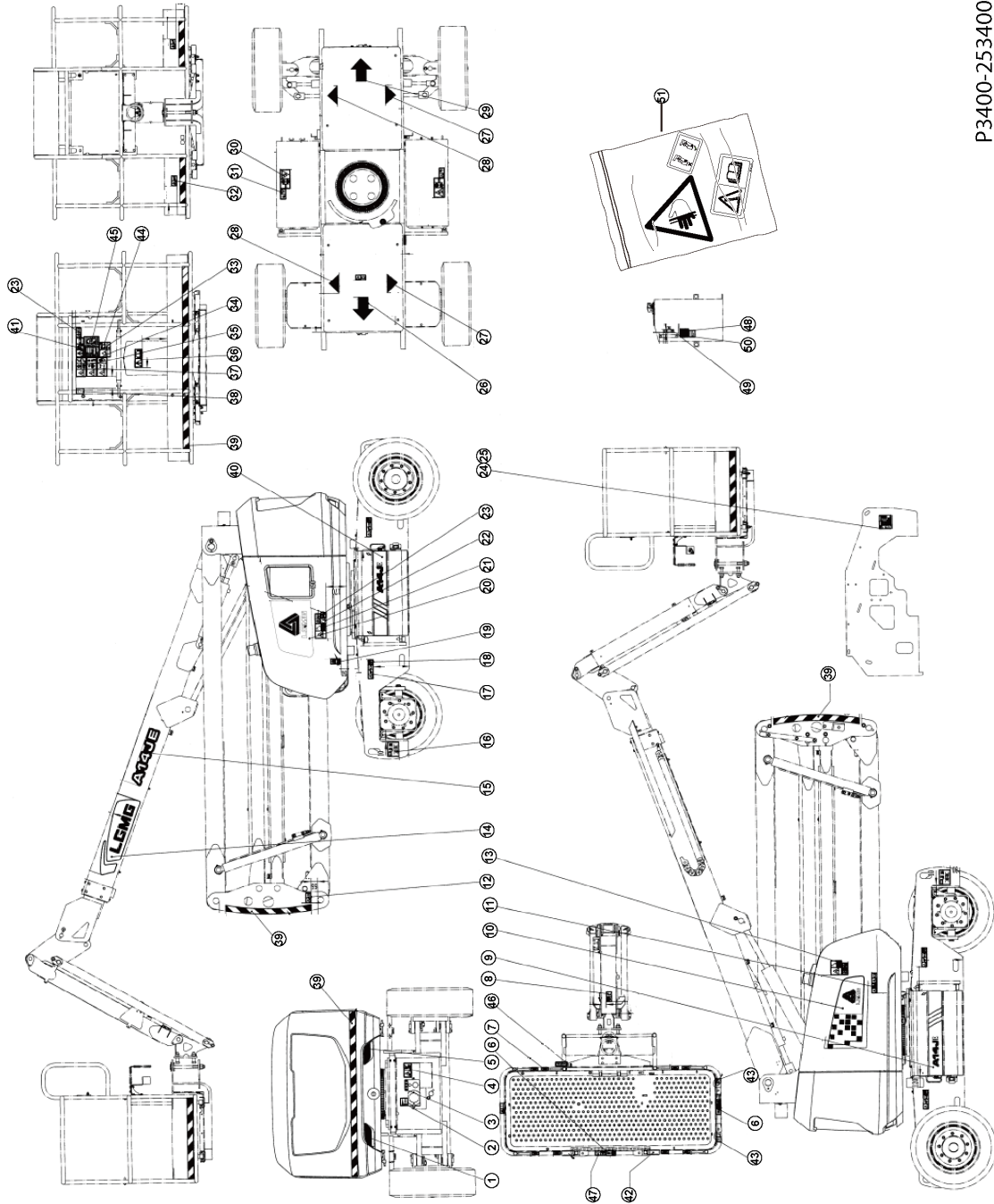
J3300-2533001564.S1A-G1	PCU delivered assembled	194
J3300-2533001569.S1A-G1	PCU assy	196
J3300-2533001822.S1A-G1	Platform elec sys	200
J3100-2531002216.S1A-G1	GCU delivered assembled	204
J3100-2531002203.S1A-G1	Turntable elec sys	206
J5101-2551000129.S1A	Control program A14JE (COBO)	210
J3300-2533001825.S1A-G1	Power to platform assy	212
Part number index		215

B

Decals

B3400-2534004966.S1A

Decals installation-A14JE

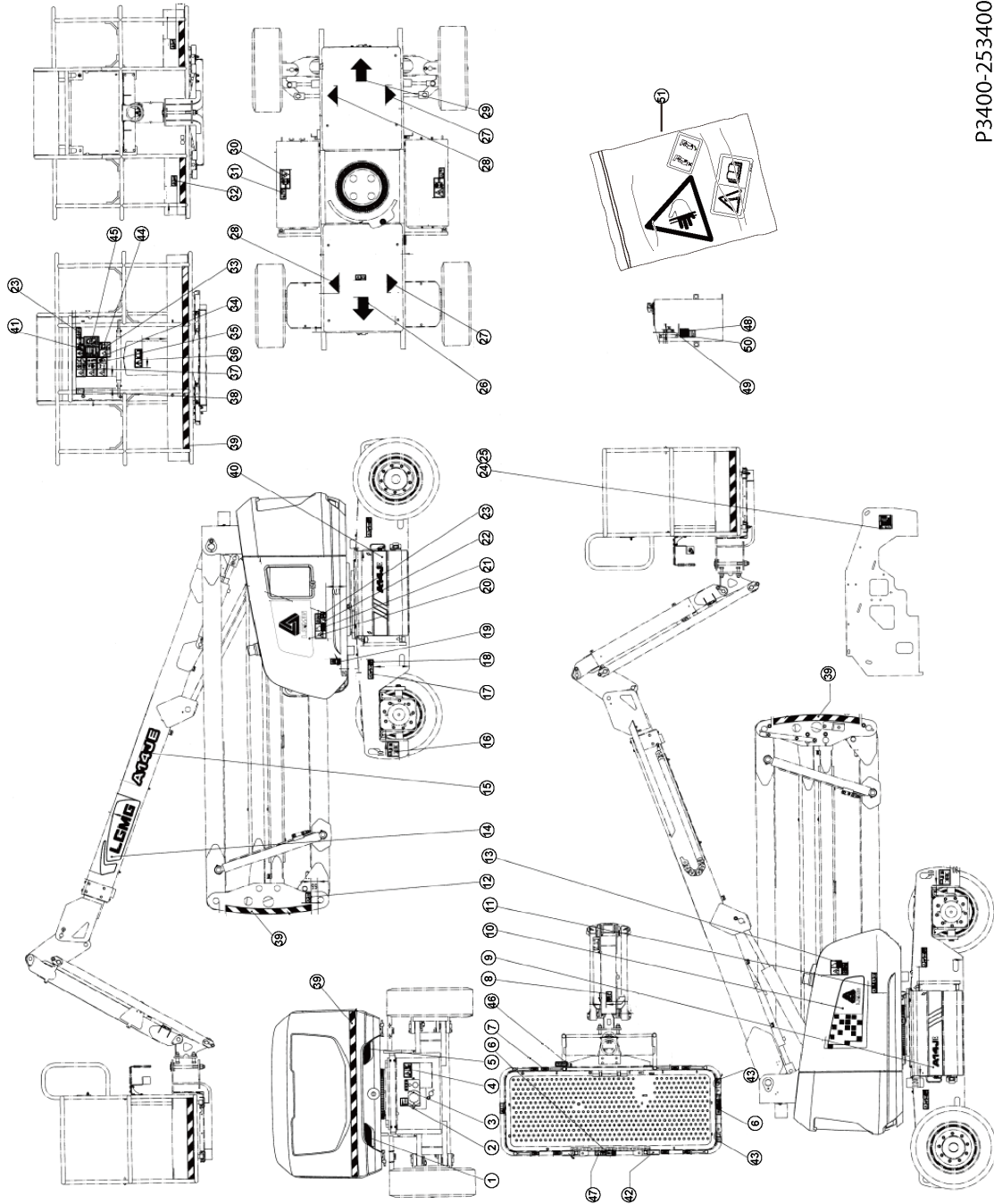


P3400-2534004966.S1A

Item	Part No.	Name	Qty.	Remark
1	25340001911	Decal-Reflective sticker	1	
2	25340020221	Decal-Turn off the power	1	
3	25340020231	Decal-Charging indication decal	1	
4		Decal-ELEC shock fire warning		For illustration
5	25340001921	Decal-Reflective sticker	1	
6	25340000361	Decal-Lwr the mid column attention decal	2	
7		Decal-Lanyard anchorage point		For illustration
8	25340000421	Decal-Fall protection decal	1	
9	25340014171	Decal-LH box model A14JE	1	
10	25340001901	Decal-LOGO (RH)	1	
11	25340000471	Decal-No fireworks warning	1	
12	25340000391	Decal-Tip-over protection	3	
13		Decal-In-box maintenance attention		For illustration
14	25340017491	Decal-LOGO-English	1	
15	25340013041	Decal-Model A14JE	1	
16	25340020191	Decal-Lanyard anchorage point	2	
17	25340000451	Decal-Note on changing tires	4	
18	25340000611	Decal-Wheel load decal	4	
19	25340000431	Decal-crushing protection decal	1	
20	25340001891	Decal-LOGO (LH)	1	
21	25340000481	Decal-Anti-ELEC shock warning decal	2	
22		Decal-CE decal		For illustration

B3400-2534004966.S1A

Decals installation-A14JE

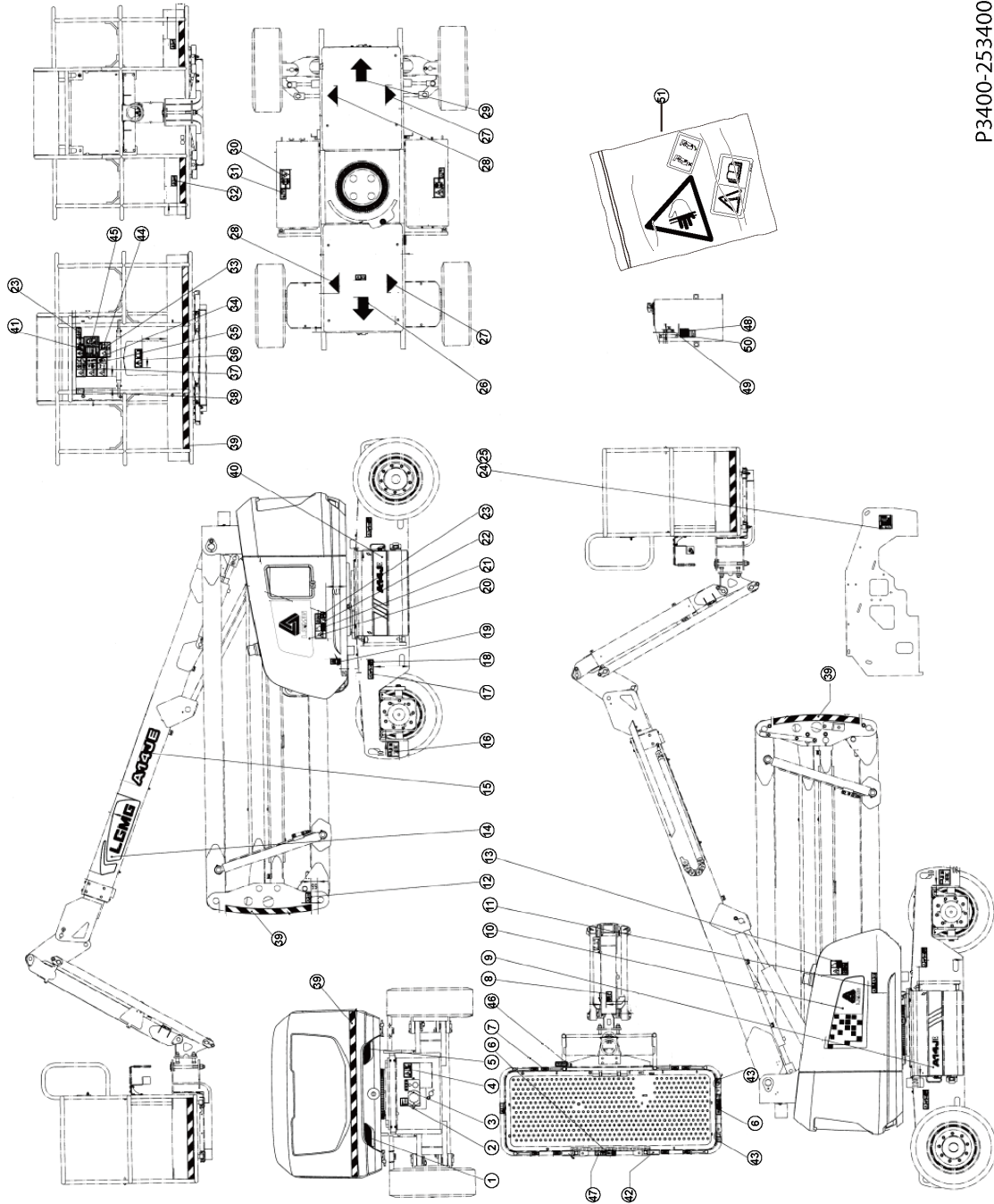


P3400-2534004966.S1A

Item	Part No.	Name	Qty.	Remark
23		Decal-Read the instructions decal		For illustration
24	25340025172	Complete machine nameplate	1	
25	4019000059	Rivet GB12618.1-3*10	4	
26		Decal-Arrow decal		For illustration
27		Decal-Arrow decal		For illustration
28		Decal-Arrow decal		For illustration
29		Decal-Arrow decal		For illustration
30	25340000041	Decal-Warning, explosion burn	2	
31	25340000621	Decal-Battery as counterweight warning	2	
32	25340000411	Decal-Stay away from machine warning	2	
33		Decal-Warning		For illustration
34		Decal-Platform rated load decal		For illustration
35	25340000631	Decal-Tip-over protection on slope	1	
36		Decal-Read the instructions decal		For illustration
37	25340000371	Decal-Outdoor manual force decal	1	
38	25340000381	Decal-Rated voltage decal	1	
39		Warning wire		For illustration
40	25340014181	Decal-Model on RH box (A14JE)	1	
41	25340020211	Decal-Downhill warning instructions	1	
42		Decal-Anti-scratch sticker		For illustration
43	25340018091	Decal-Anti-scratch sticker	4	
44	25340025521	Decal-Slope driving	1	

B3400-2534004966.S1A

Decals installation-A14JE



P3400-2534004966.S1A

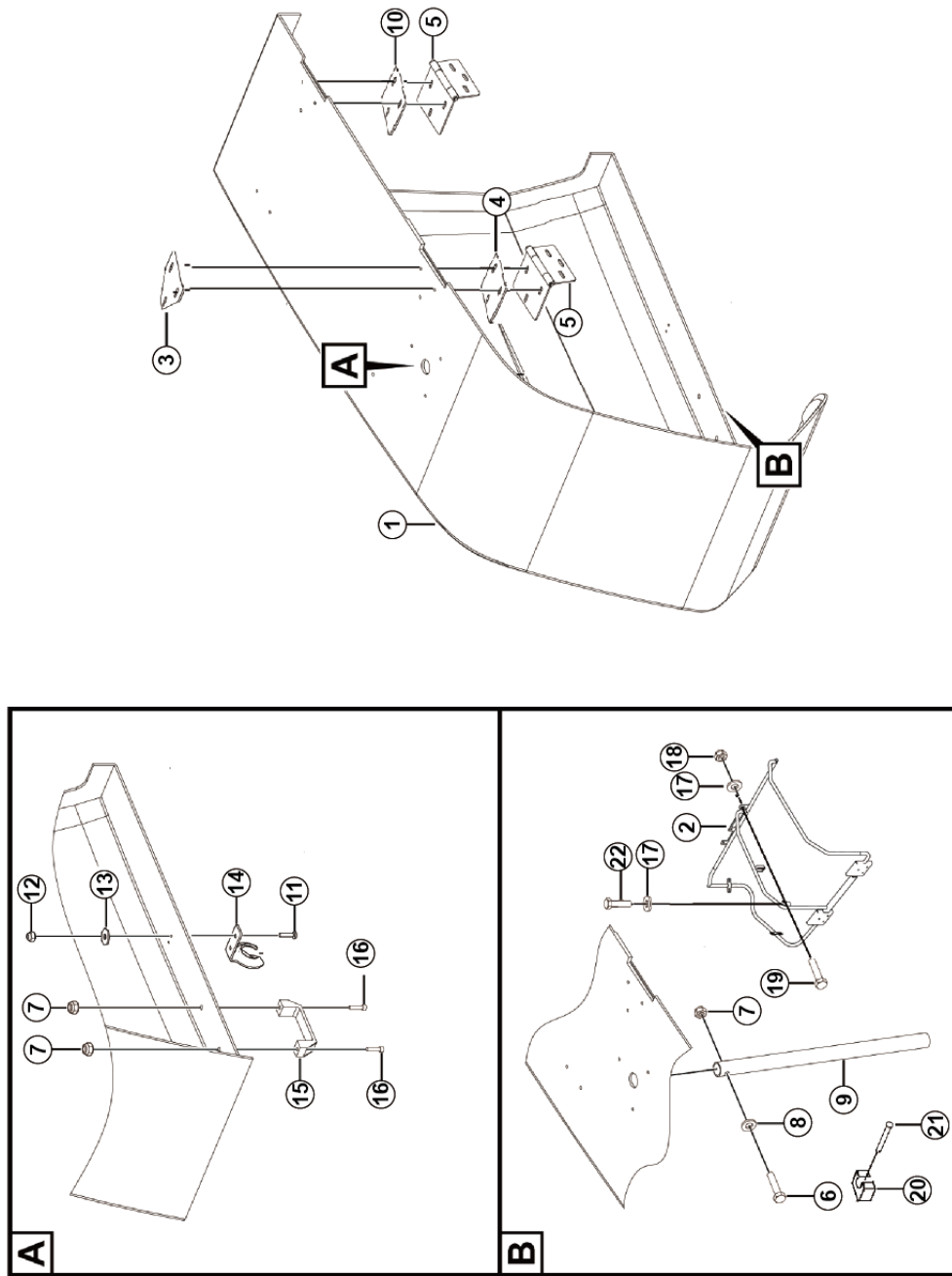
C

Drive Chassis Components

C1700-2529001208.S6D-G2

LH hood delivered assembled

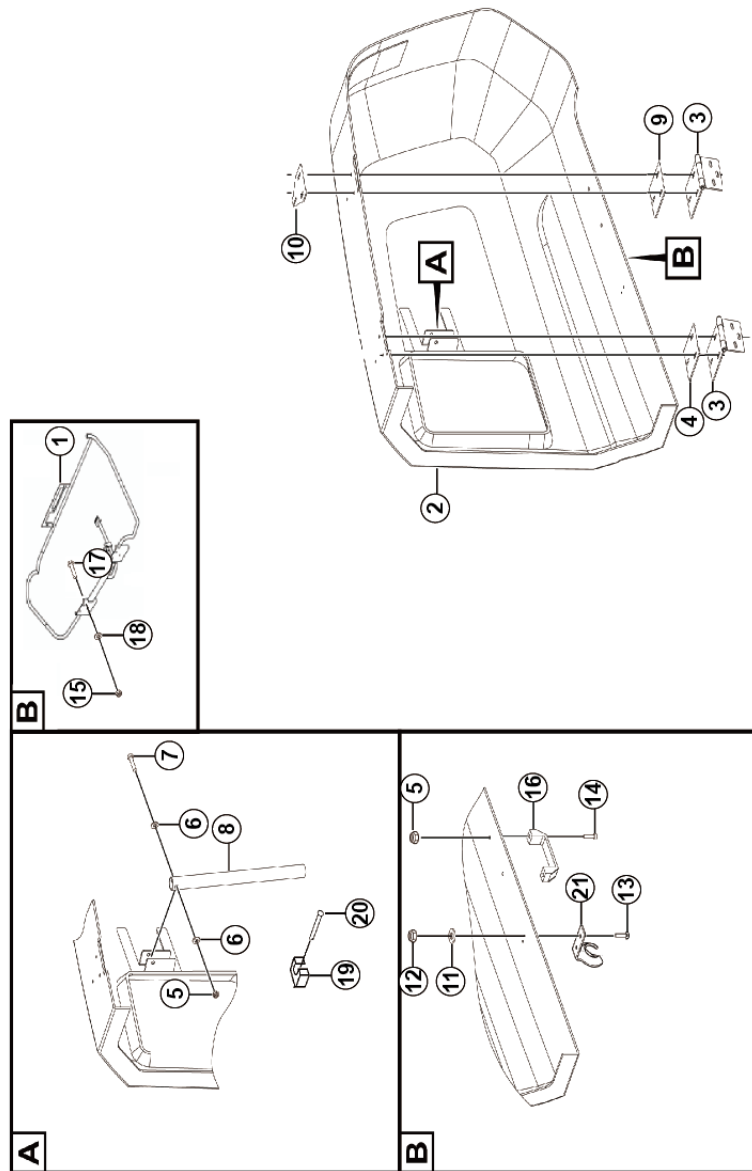
11700-2529001208.S6D



Item	Part No.	Name	Qty.	Remark
1		LH hood		For illustration
2		LH hood reinforced beam wldmt		For illustration
3		Hood upr fixing plate		For illustration
4		LH hood hinge (LH) backing plate		For illustration
5	25290001472	Hinge	2	
6	4011010919	Bolt GB5782-M8*55flZnyc-8.8-480	1	
7	4013010297	Nut GB889.1-M8flznc-8-480	3	
8	4015010280	Washer GB97.1-8flZnyc-300HV-480	2	
9		Support bar		For illustration
10		LH hood hinge (RH) backing plate		For illustration
11	4014010121	Screw GB818-M4*20flZnyc-4.8-480	2	
12	4013010360	Nut GB889.1-M4flZnyc-8-480	2	
13	4015010365	Washer GB96.1-4flZnyc-300HV-480	2	
14	25290002722	Spherical buckle	1	
15	4190002605	Handhold 466315	1	
16	4011010908	Screw GB70.1-M8*25flznc-8.8-480	2	
17	4015010296	Washer GB96.1-6flZnyc-300HV-480	16	
18	4013010300	Nut GB889.1-M6flznc-8-480	7	
19	4011010998	Bolt GB5783-M6*35flZnyc-8.8-480	6	
20		Clamp		For illustration
21	4014010486	Screw GB819.1-M6*25flZnyc-8.8-480	1	
22	4011010747	Bolt GB5783-M6*16flZnyc-8.8-480	4	

C1700-2529001190.S5C-G2

RH hood delivered assembled

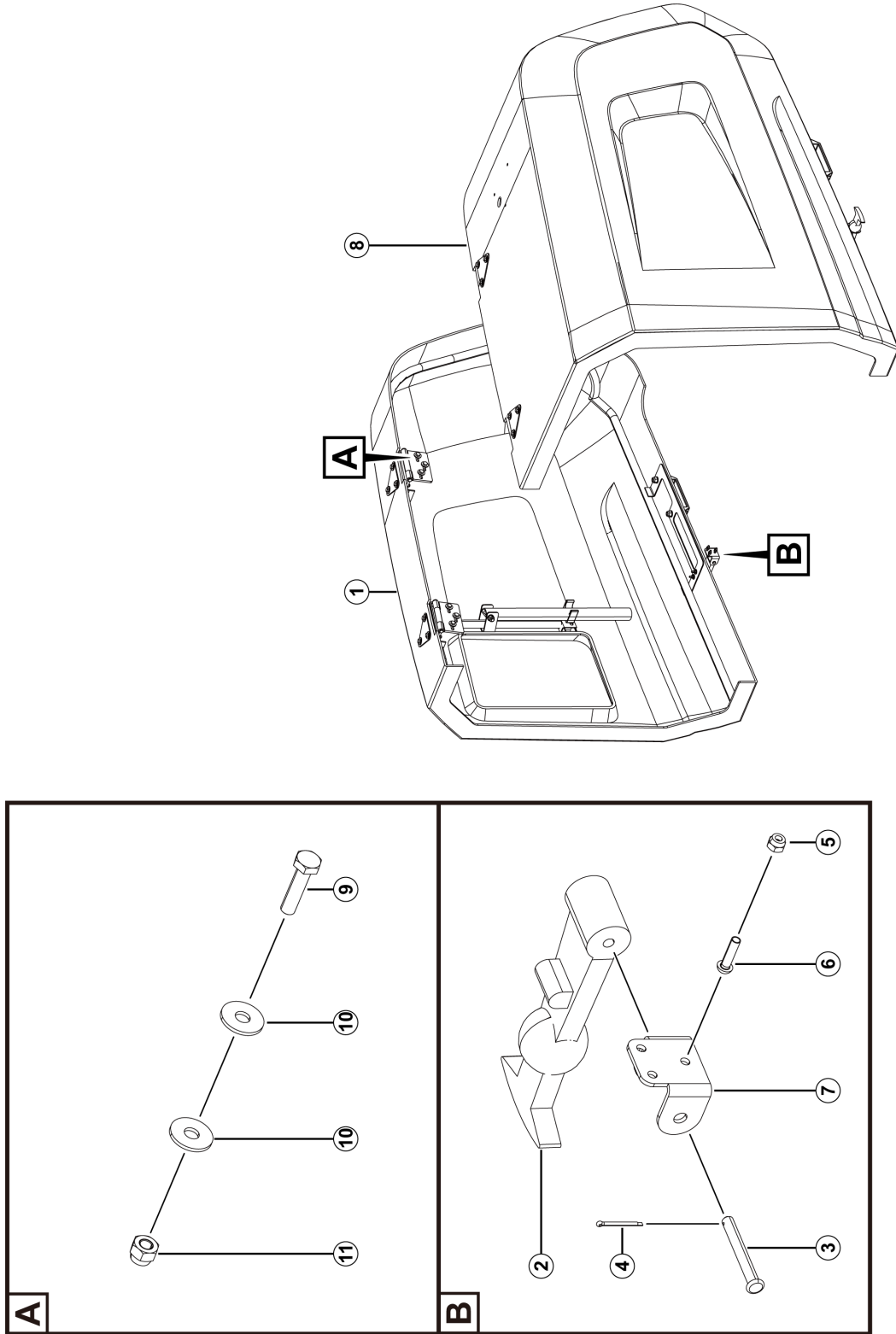


11700-2529001190.S5C

Item	Part No.	Name	Qty.	Remark
1		RH hood reinforced beam wldmt		For illustration
2	25290011942	RH hood	1	
3	25290001472	Hinge	2	
4		LH hood hinge (LH) backing plate		For illustration
5	4013010297	Nut GB889.1-M8flznyc-8-480	3	
6	4015010280	Washer GB97.1-8flZnyc-300HV-480	1	
7	4011010919	Bolt GB5782-M8*55flZnyc-8.8-480	1	
8		RH hood support bar		For illustration
9		LH hood hinge (RH) backing plate		For illustration
10		Hood upr fixing plate		For illustration
11	4015010365	Washer GB96.1-4flZnyc-300HV-480	2	
12	4013010360	Nut GB889.1-M4flZnyc-8-480	2	
13	4014010121	Screw GB818-M4*20flZnyc-4.8-480	2	
14	4011010908	Screw GB70.1-M8*25flznyc-8.8-480	2	
15	4013010300	Nut GB889.1-M6flznyc-8-480	6	
16	4190002605	Handhold 466315	1	
17	4011010998	Bolt GB5783-M6*35flZnyc-8.8-480	6	
18	4015010296	Washer GB96.1-6flZnyc-300HV-480	12	
19		Clamp		For illustration
20	4014010112	Screw GB819.1-M6*20flZnyc-4.8-480	1	
21	25290002722	Spherical buckle	1	

C1700-2529001315.S-G5

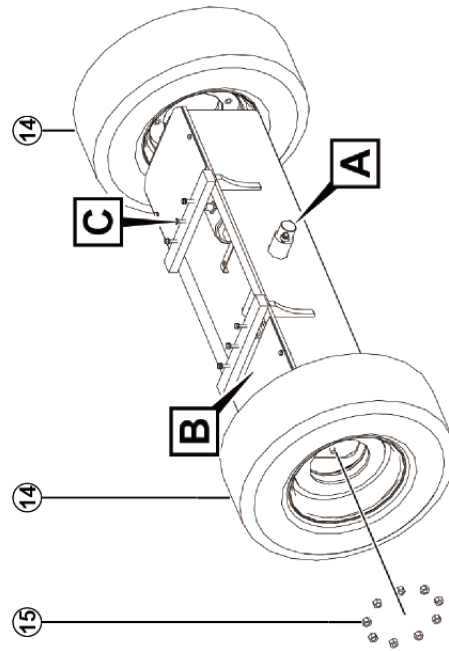
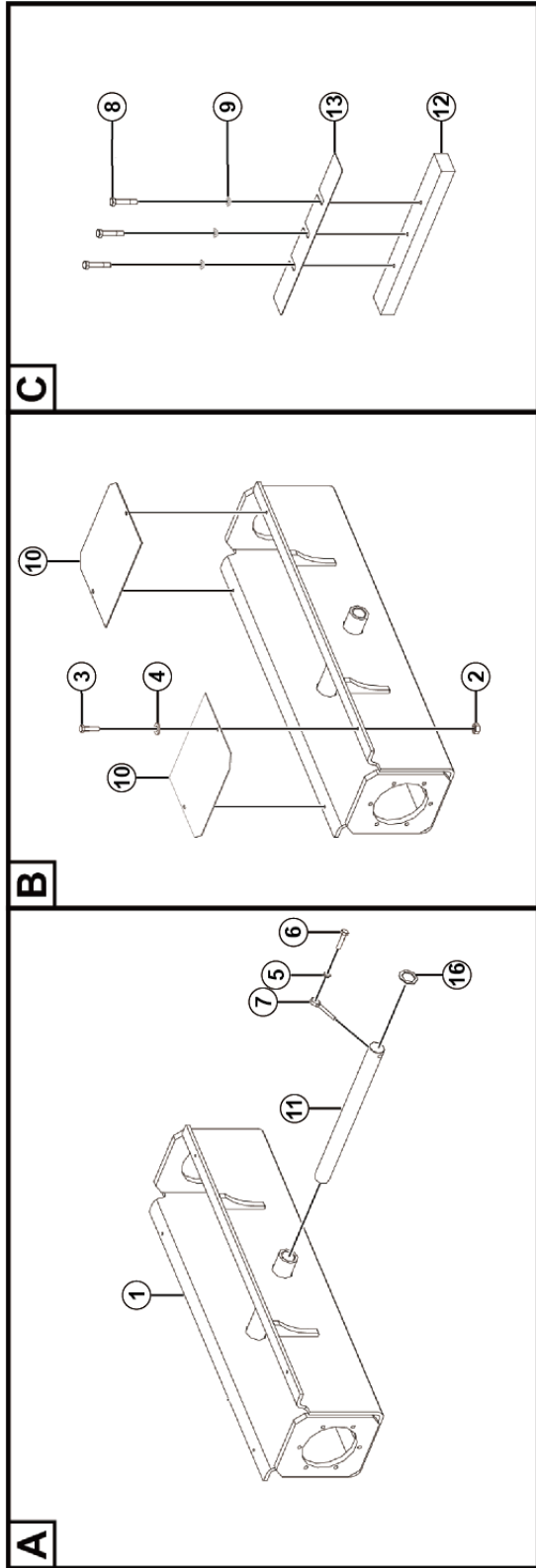
Covering accessories



11700-2529001315.S

C0500-2505000127.S1C-G1

Rear axle assy



B0500-2505000127.S1C



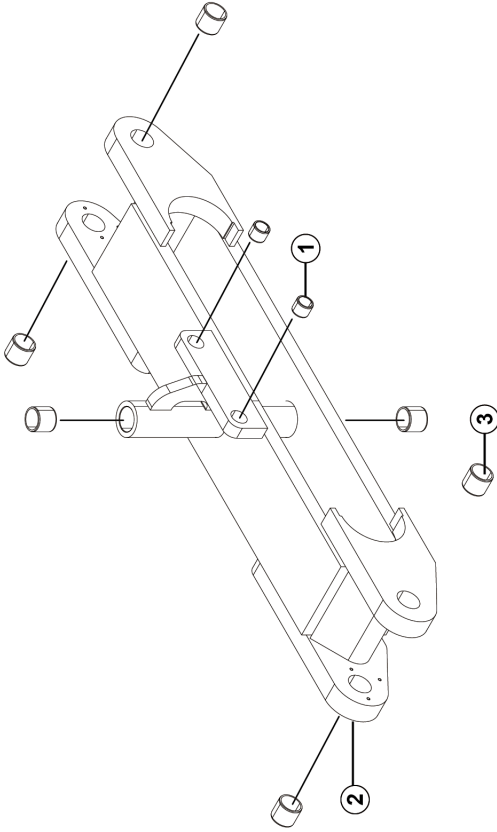
Drive Chassis Components

Item	Part No.	Name	Qty.	Remark
1	25050002801	RR axle distribution assy	1	
2	4013010291	Nut GB6170-M8flznyc-8-480	4	
3	4011010708	Bolt GB5783-M8*30flznyc-8.8-480	4	
4	4015010289	Washer GB96.1-8flZnyc-300HV-480	4	
5	4015010279	No longer used	1	
6	4011010722	Bolt GB5783-M10*25flznyc-8.8-480	1	
7	25200000641	Latch	1	
8	4011010732	Bolt GB5782-M10*50flZnyc-8.8-480	6	
9	4015010278	Washer GB96.1-10flZnyc-300HV-480	6	
10		RR axle cover plate		For illustration
11	25040001411	Axle connection pin	1	
12		RR axle limit plate		For illustration
13	25050000141	Adjusting gasket	8	
14	4110702404	Tire 250-15	2	
15	25050000661	Tapered hexagon nut 5/8-18UNF	18	
16	25040001421	Adjusting washer	2	

C0400-2504000501.S1A

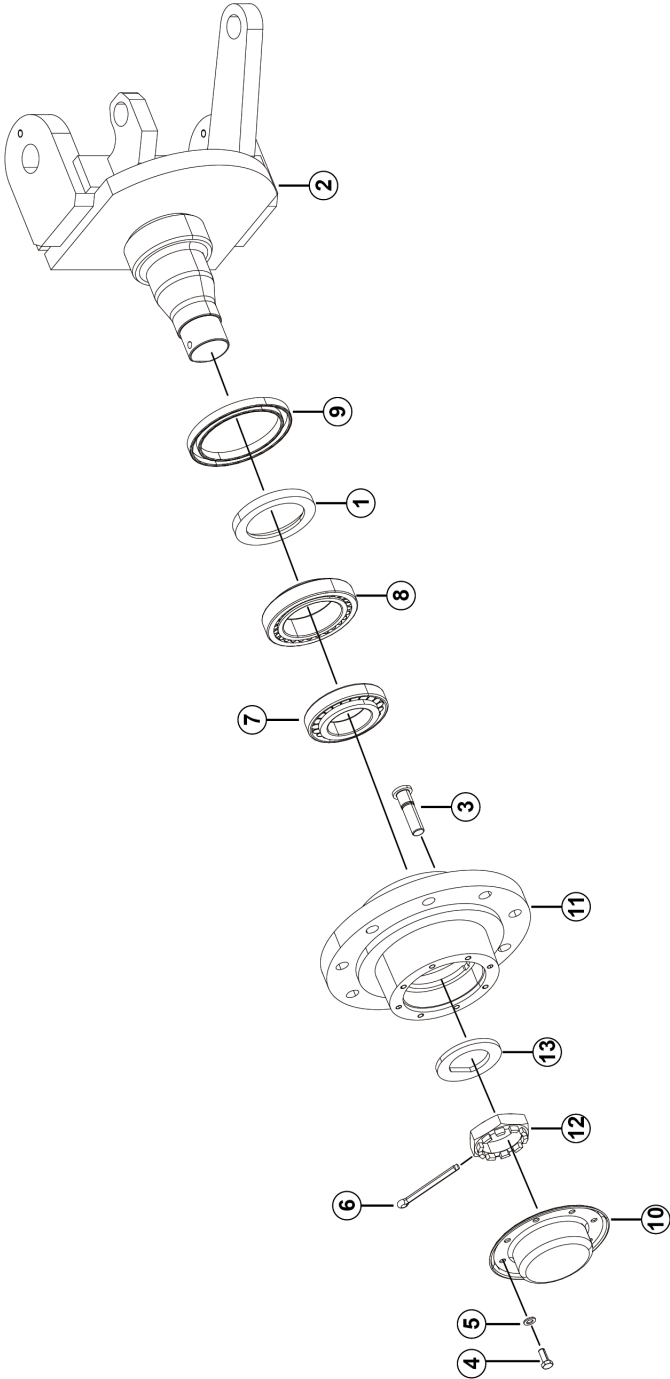
FR axle delivered assembled

B0400-2504000501.S1A



C0400-2504000205.S1B

LH steering yoke assy



B0400-2504000205.S1B



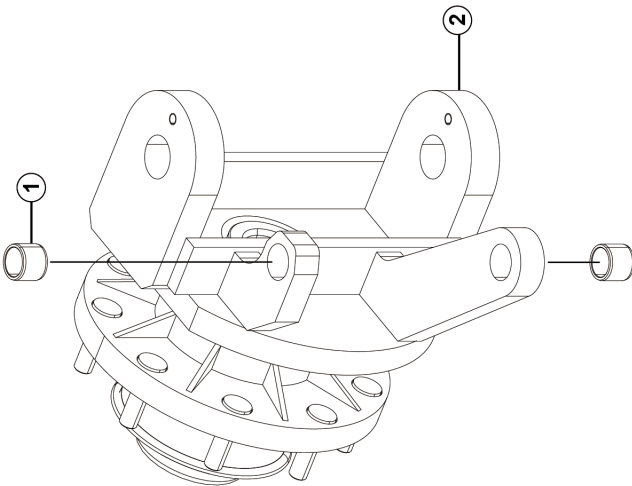
Drive Chassis Components

Item	Part No.	Name	Qty.	Remark
1	25040002021	Bearing ring	1	
2		LH bogie		For illustration
3		Wheel hub bolt		For illustration
4	4011010711	Bolt GB5783-M8*20flznyc-8.8-480	8	
5	4015010280	Washer GB97.1-8flznyc-300HV-480	8	
6	4016010262	Pin GB91-8*80flznyc-Q235A-480	1	
7	4021010037	Bearing GB297-30212	1	
8	4021010038	Bearing GB297-32016	1	
9	4030100212	Sealing ring GB13871.1-FB110*140*12-D	1	
10	4110702246	End cover 1417130000011A	1	
11	4110702247	wheel hub	1	
12	4110702248	Locking nut	1	
13	4110702249	Locking shim H0300060052A0-23	1	

C0400-2504000503.S1B

LH steering yoke delivered assembled

B0400-2504000503.S1B





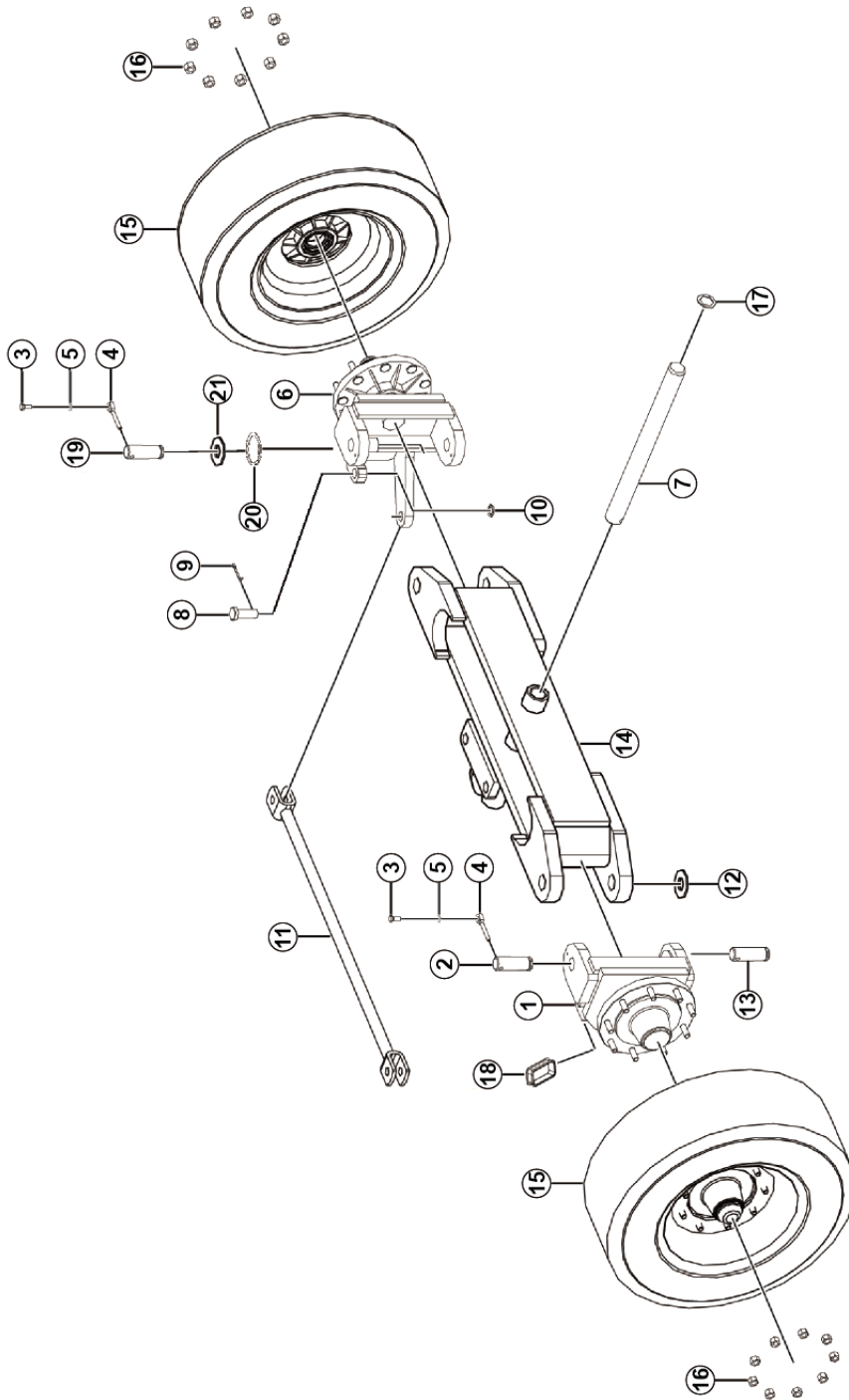
Drive Chassis Components

Item	Part No.	Name	Qty.	Remark
1	25040000281	Shaft sleeve	2	
2	25040002051	LH bogie assy	1	



C0400-2504000289.S1B1-G2

FR axle assy

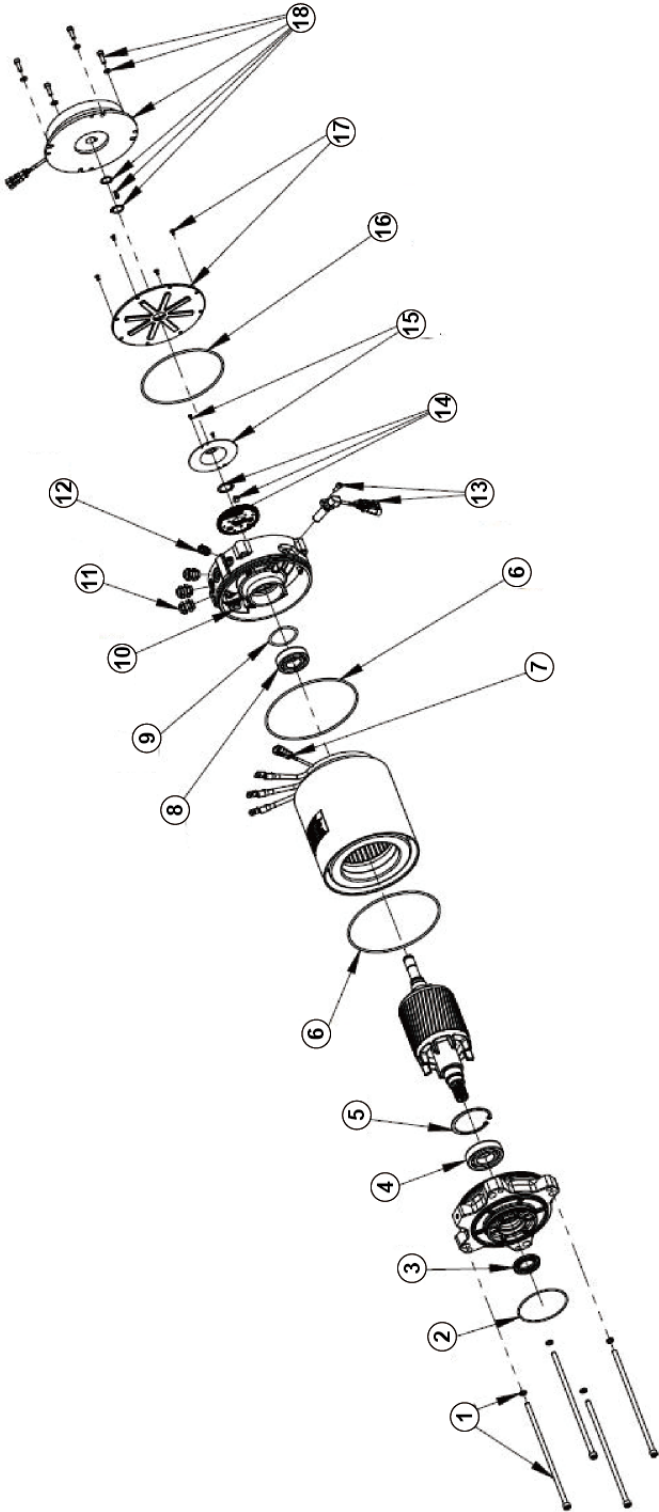


B0400-2504000289.S1B1

Item	Part No.	Name	Qty.	Remark
1	25040005042	RH bogie distribution assy	1	
2	25040000272	Bogie pin	3	
3	4011010722	Bolt GB5783-M10*25flznyc-8.8-480	5	
4	25200000641	Latch	5	
5	4015010279	No longer used	5	
6	25040005032	Lift spindle delivery assy	1	
7	25040001411	Axle connection pin	1	
8	25040000311	Tie rod pin	6	
9	4016010133	Pin GB91-5*40flznyc-Q235A-480	6	
10	25040000291	Washer 36*25.4*3	6	
11		Steering lever		For illustration
12	25040000351	Wear washer 89*38.1*5	2	
13	25040002923	Potentiometer pin	1	
14	25040005011	FR axle distribution assy	1	
15	4110702404	Tire 250-15	2	
16		Tapered hexagon nut M16*1.5		For illustration
17	25040001421	Adjusting washer	2	
18	25160000731	Rubber sleeve	1	
19	25040006771	Bogie pin	1	
20	4015010249	No longer used	1	
21	25200000491	Washer 51*38*3	1	

C3100-4130701606

AC traveling motor assy



M3100-4130701606

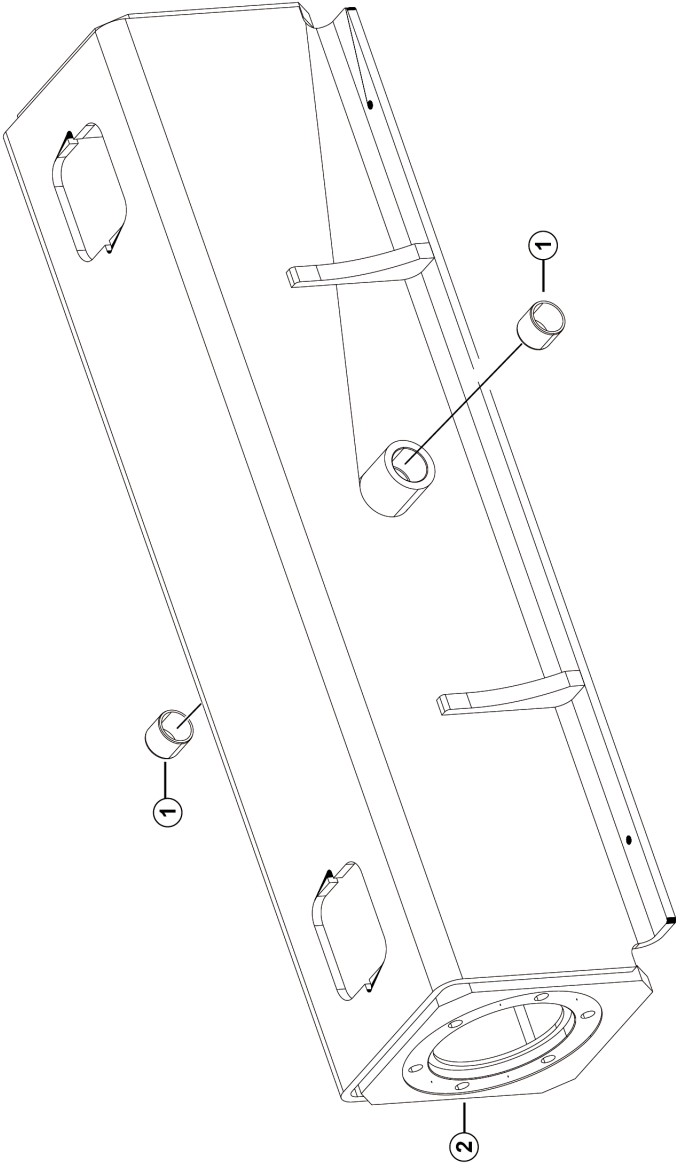


Drive Chassis Components

Item	Part No.	Name	Qty.	Remark
1	4130701606001	Bolt repair kits 8SD.909.050S	1	
2	4130701606002	O-ring 8SD.370.537	1	
3	4130701606003	Sealing ring 080068	1	
4	4130701606004	Bearing 100180	1	
5	4130701606005	Fixing ring 060804	1	
6	4130701606006	O-ring 8SD.370.488	1	
7	4130701606007	Thermal sensor H-302S	1	
8	4130701606008	Bearing 100643	1	
9	4130701606009	Washer 060857	1	
10	4130701606010	Hole part 8SD.867.820S	1	
11	4130701606011	Sealing ring 5SD.772.046	1	
12	4130701606012	Sealing ring 5SD.772.045	1	
13	4130701606013	Speed sensor 5SD.421.034	1	
14	4130701606014	Solenoid assy 8SD.240.063S	1	
15	4130701606015	Solenoid assy 8SD.325.306S	1	
16	4130701606016	O-ring 8SD.370.489	1	
17	4130701606017	Covering repair kit 8SD.180.033S	1	
18	4130701606018	Brake repair kit 5SD.270.355S	1	

C0500-2505000280.S1A

RR axle delivered assembled

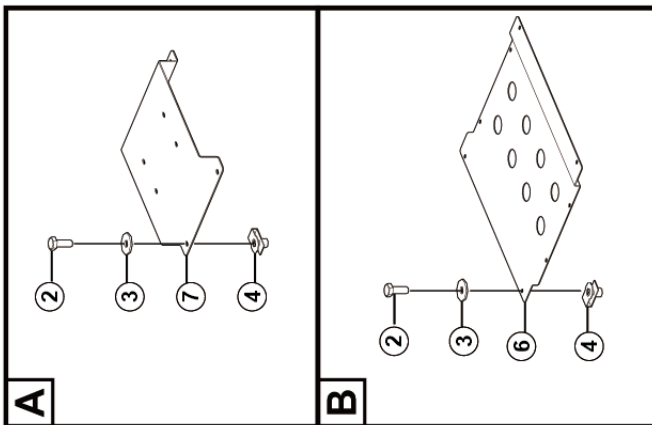
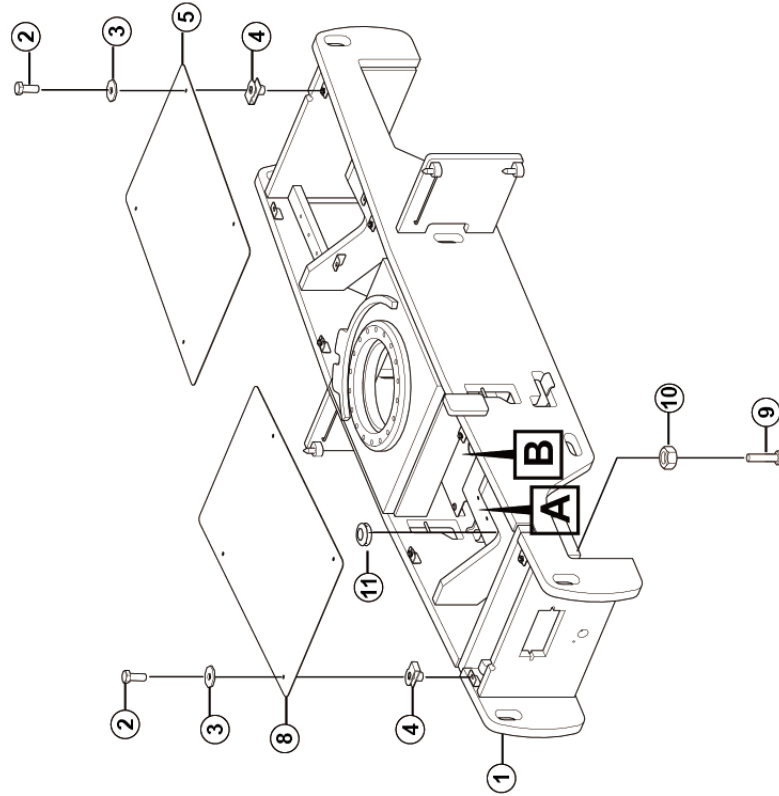


B0500-2505000280.S1A

C0700-2516001021.S1B-G1

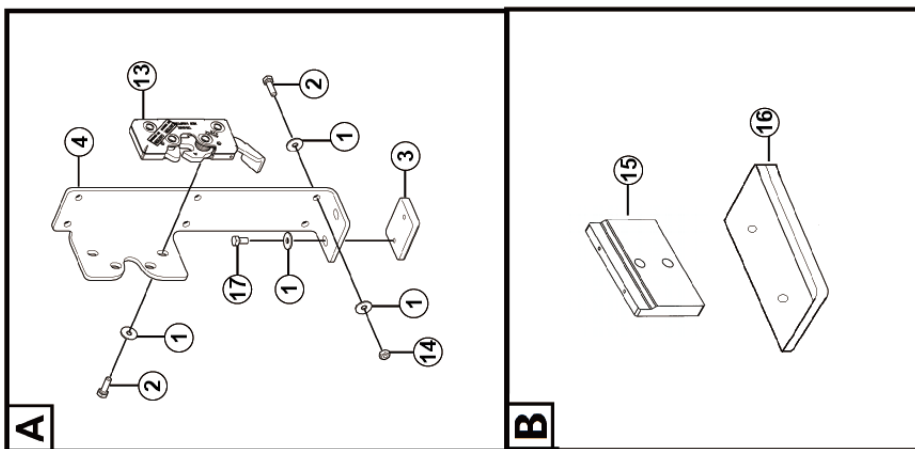
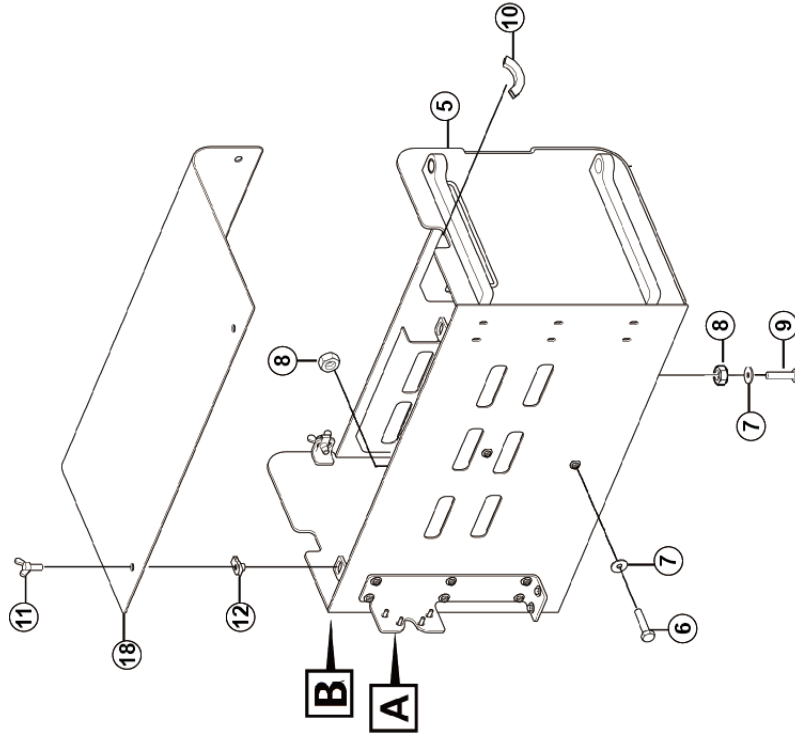
Chassis assy

D0700-2516001021.S1B



C0800-2518000968.S1A-G2

RH battery box assy

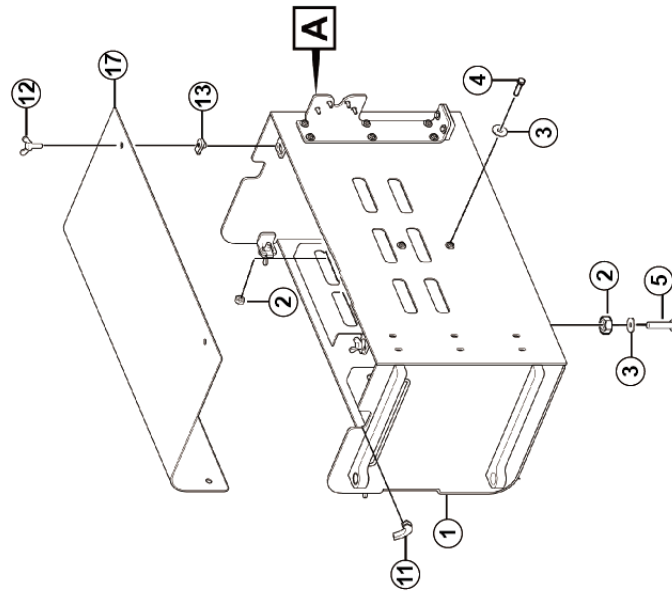


D0800-2518000968.S1A

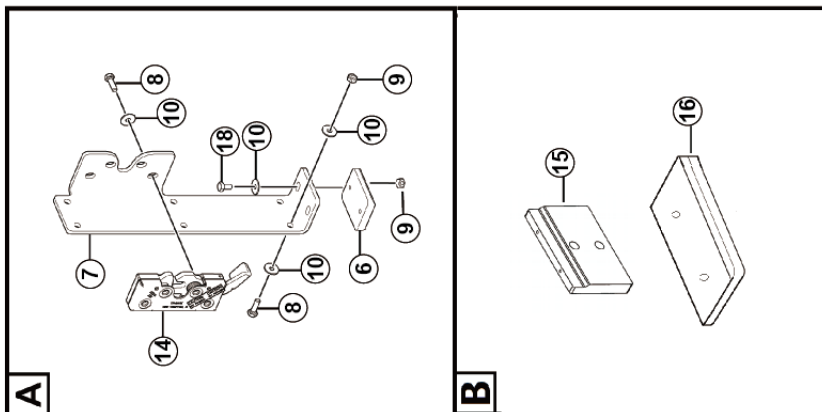
Item	Part No.	Name	Qty.	Remark
1	4015010296	Washer GB96.1-6flZnyc-300HV-480	18	
2	4011010731	Bolt GB5783-M6*25flZnyc-8.8-480	10	
3		Battery box limit block		For illustration
4	25180000561	RH lock fixing plate	1	
5	25180016744	RH battery box distribution assy	1	
6	4011010780	Bolt GB5782-M12*55flZnyc-8.8-480	2	
7	4015010286	Washer GB96.1-12flZnyc-300HV-480	8	
8	4013010301	Nut GB889.1-M12flznyc-8-480	4	
9	4011010979	Bolt GB5783-M12*40flZnyc-8.8-480	2	
10	25200001871	Sealing strip	2	
11		Butterfly bolt		For illustration
12	4013010370	Nut QC339-M10flZnyc-8-480	4	
13	4190002250	RH lock 50076 (Telmark)	1	
14	4013010293	Nut GB6170-M6flZnyc-8-480	8	
15	25180017962	Side counterweight	1	
16	25180017952	Lwr counterweight	1	
17		Screw GB70.3-M6*25flZnycn-8.8-480		For illustration
18		Cover plate		For illustration

C0800-2518000967.S1A-G2

LH battery box assy



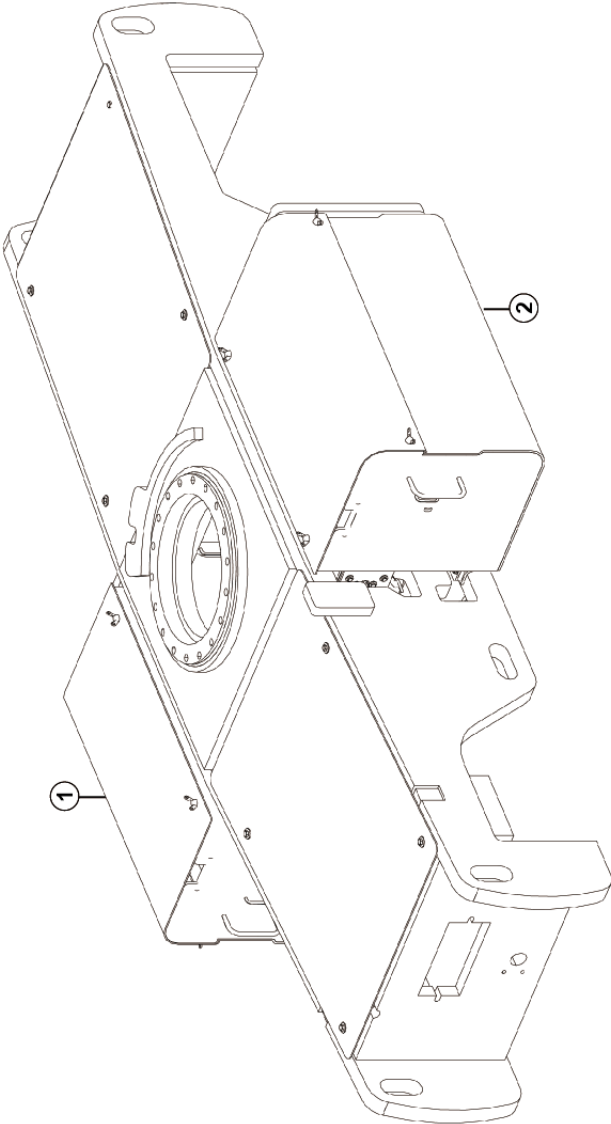
D0800-2518000967.S1A



Item	Part No.	Name	Qty.	Remark
1	25180016734	LH Battery box distribution assy	1	
2	4013010301	Nut GB889.1-M12flznyc-8-480	4	
3	4015010286	Washer GB96.1-12flZnyc-300HV-480	8	
4	4011010780	Bolt GB5782-M12*55flZnyc-8.8-480	2	
5	4011010979	Bolt GB5783-M12*40flZnyc-8.8-480	2	
6		Battery box limit block		For illustration
7	25180000611	LH locking fixing plate	1	
8	4011010731	Bolt GB5783-M6*25flZnyc-8.8-480	10	
9	4013010293	Nut GB6170-M6flZnyc-8-480	8	
10	4015010296	Washer GB96.1-6flZnyc-300HV-480	18	
11	25200001871	Sealing strip	2	
12		Butterfly bolt		For illustration
13	4013010370	Nut QC339-M10flZnyc-8-480	4	
14	4190002249	LH lock 50075 (TriMark)	1	
15	25180017962	Side counterweight	1	
16	25180017952	Lwr counterweight	1	
17		Cover plate		For illustration
18		Screw GB70.3-M6*25flZnycn-8.8-480		For illustration

C0800-2518000966.S-G1

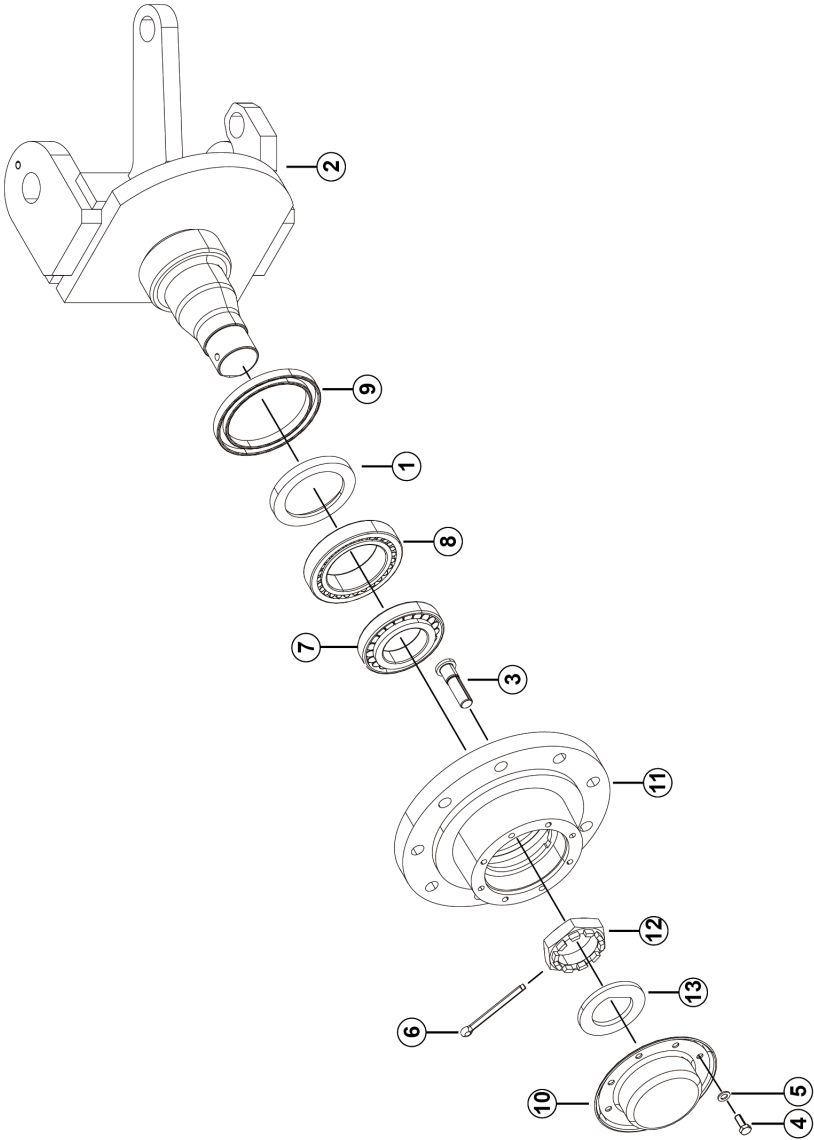
Battery and oil tank side



D0800-2518000966.S

C0400-2504000206.S1B

RH steering yoke assy

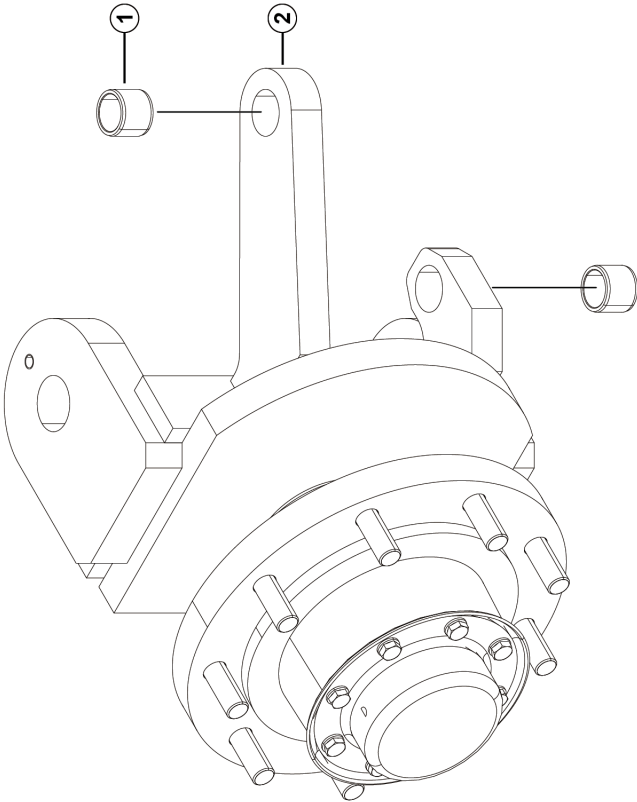


B0400-2504000206.S1B

C0400-2504000504.S1B

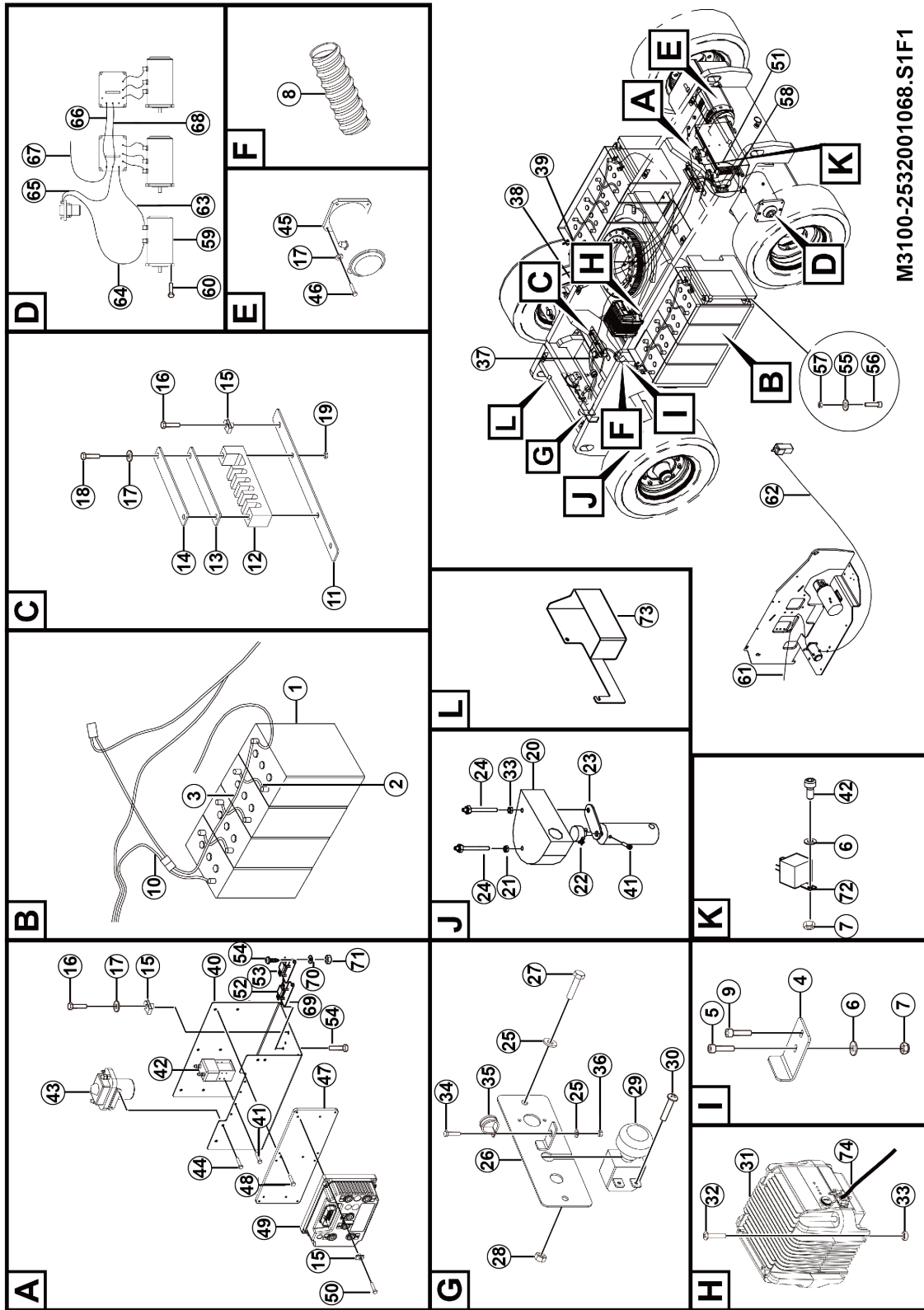
RH steering yoke delivered assembled

B0400-2504000504.S1B



C3100-2532001068.S1F1-G1

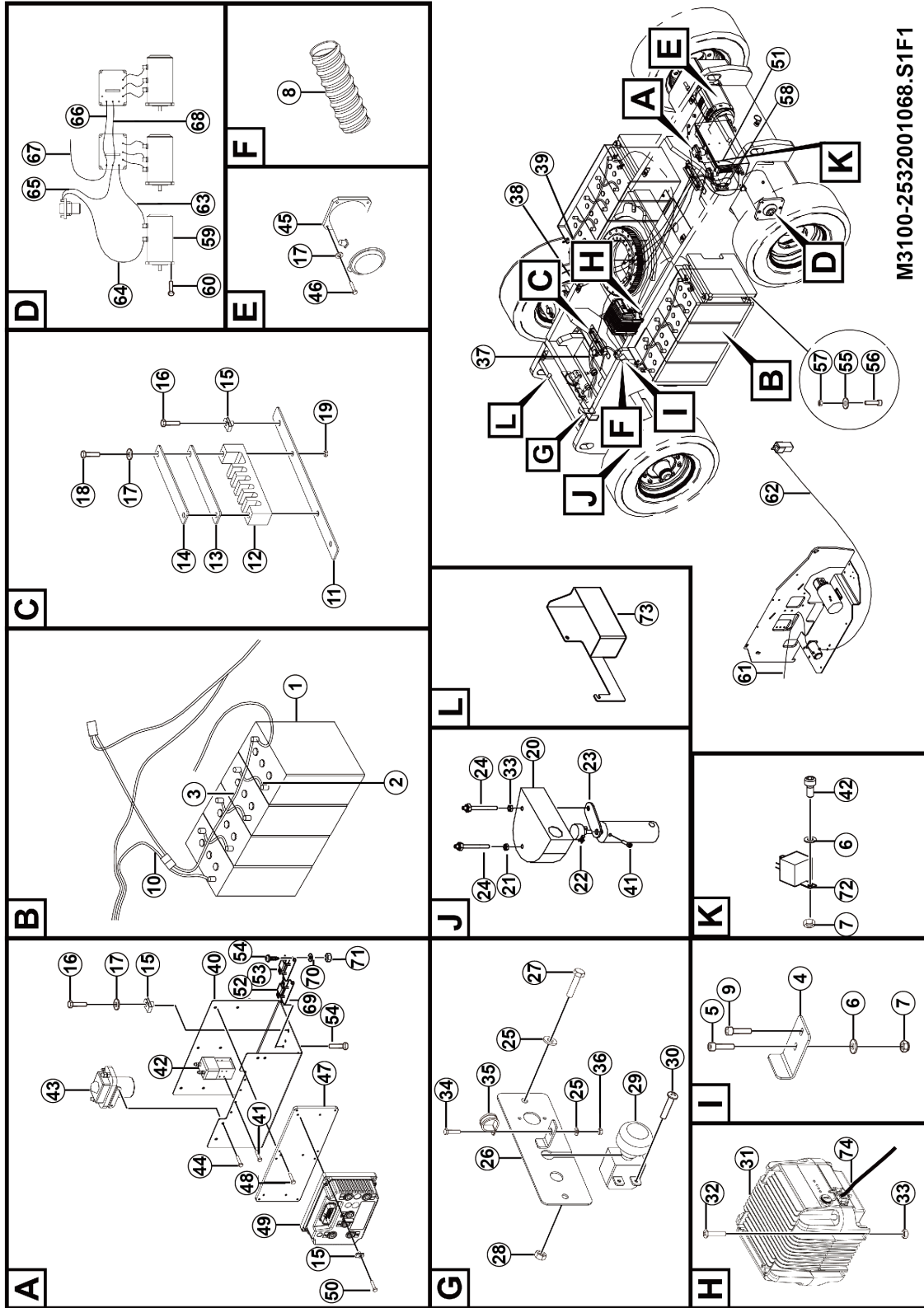
Chassis elec assy



Item	Part No.	Name	Qty.	Remark
1	4130000939	Battery L16G-AC	8	
2	25320001131	Battery connecting wire	6	
3	25320001092	Battery wire	1	
4	25320002792	Pull plate	2	
5	4011011035	Screw GB70.1-M5*35flZnyc-8.8-480	4	
6	4015010283	Washer GB97.1-5flZnyc-300HV-480	25	
7	4013010305	Nut GB889.1-M5flznyc-8-480	11	
8	4120002251	No longer used	2	
9	4014010353	Screw GB70.1-M5*45flZnyc-8.8-480	4	
10	25320004453	Power cable assy 1	1	
11	25320004391	Harness fixing plate	2	
12	25320004401	Over-wire plate	2	
13	25320004411	Harness bulkhead	2	
14	25320004471	Harness platen	2	
15	4013010383	Nut QC339-M8flZnyc-8-480	8	
16	4011010711	Bolt GB5783-M8*20flznyc-8.8-480	9	
17	4015010280	Washer GB97.1-8flZnyc-300HV-480	26	
18	4011010975	Bolt GB5783-M8*60flZnyc-8.8-480	4	
19	4013010291	Nut GB6170-M8flznyc-8-480	4	
20	25320010951	Shield	1	
21	4015010284	Washer GB97.1-6flZnyc-300HV-480	26	
22	4130704181	Steering potentiometer CRS22	1	

C3100-2532001068.S1F1-G1

Chassis elec assy

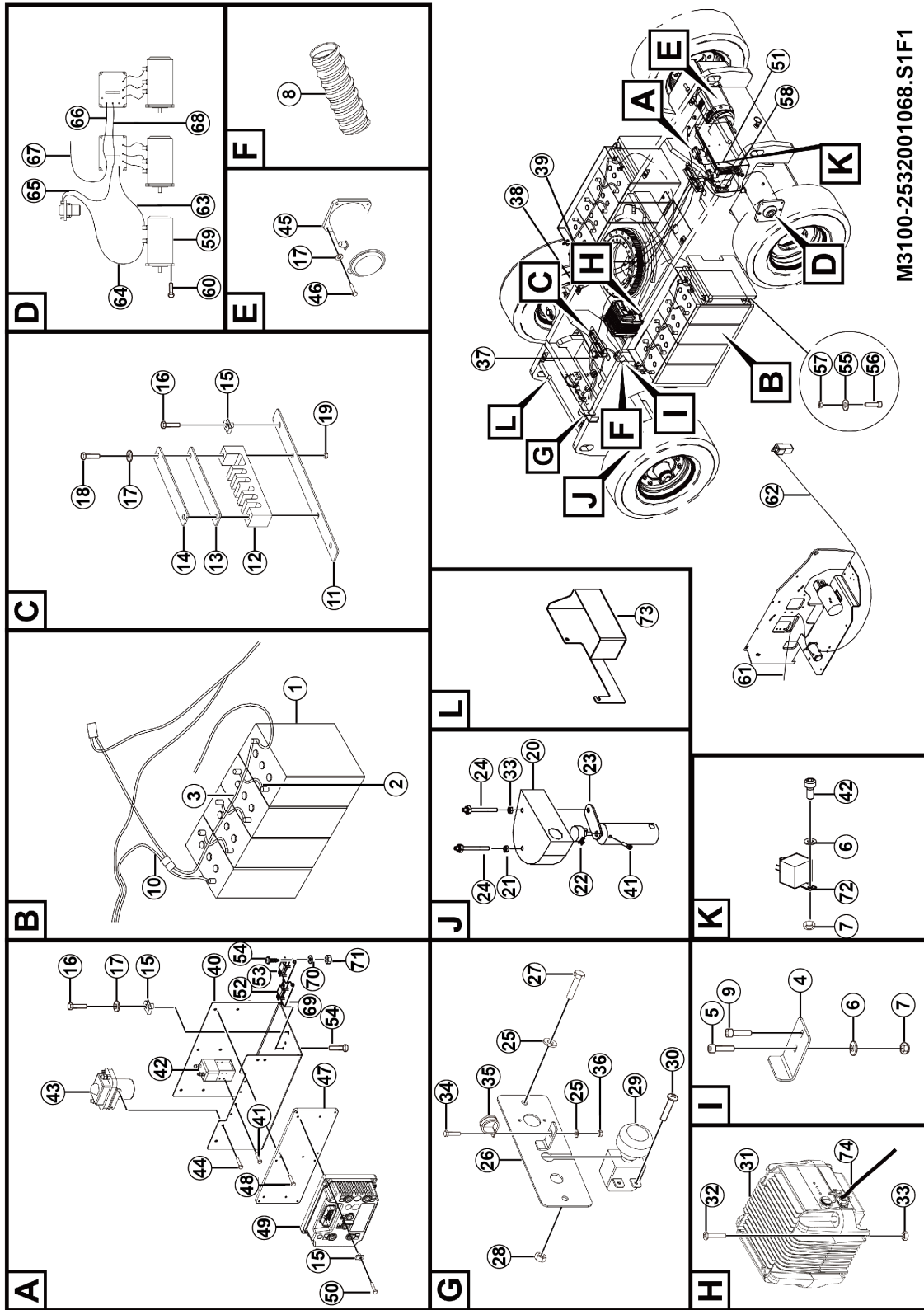


M3100-2532001068.S1F1

Item	Part No.	Name	Qty.	Remark
23	25320024101	Potentiometer fixing plate	1	
24	25320010971	Double stud widmt	2	
25	4015010339	Washer GB97.1-10flZnyc-300HV-480	15	
26	25320013942	DC switch welding bracket assy	1	
27	4011010732	Bolt GB5782-M10*50flZnyc-8.8-480	2	
28	4013010296	Nut GB889.1-M10flznyc-8	2	
29	4130001123	DC power supply switch ZDK31-250	1	
30	4014010120	Screw GB818-M5*8flZnyc-4.8-480	2	
31	4130703197	Charger GPSC3548-LG71	1	
32	4014010132	Screw GB70.1-M6*20flznyc-8.8-480	4	
33	4013010300	Nut GB889.1-M6flznyc-8-480	14	
34	4011010748	Bolt GB5783-M10*20flZnyc-8.8-480	2	
35	26370001211	Pipe clamp, for fixing 2nd boom section harness	1	
36	4013010289	Nut GB6170-M10flZnyc-8-480	5	
37	25320003482	Power cable P35*2700	1	
38	25320004463	Power cable assy 2	1	
39	25320002712	Battery cable 48V	1	
40	25320010701	Controller fixing plate	1	
41	4014010122	Screw GB70.1-M5*20flZnyc-8.8-480	5	
42	4130000628	Contactora JCC200/1C24.48A	1	
43	4130703597	Main contactora JCC400/1C24*48A	1	
44	4011010744	Bolt GB5783-M6*20flznyc-8.8-480	2	

C3100-2532001068.S1F1-G1

Chassis elec assy

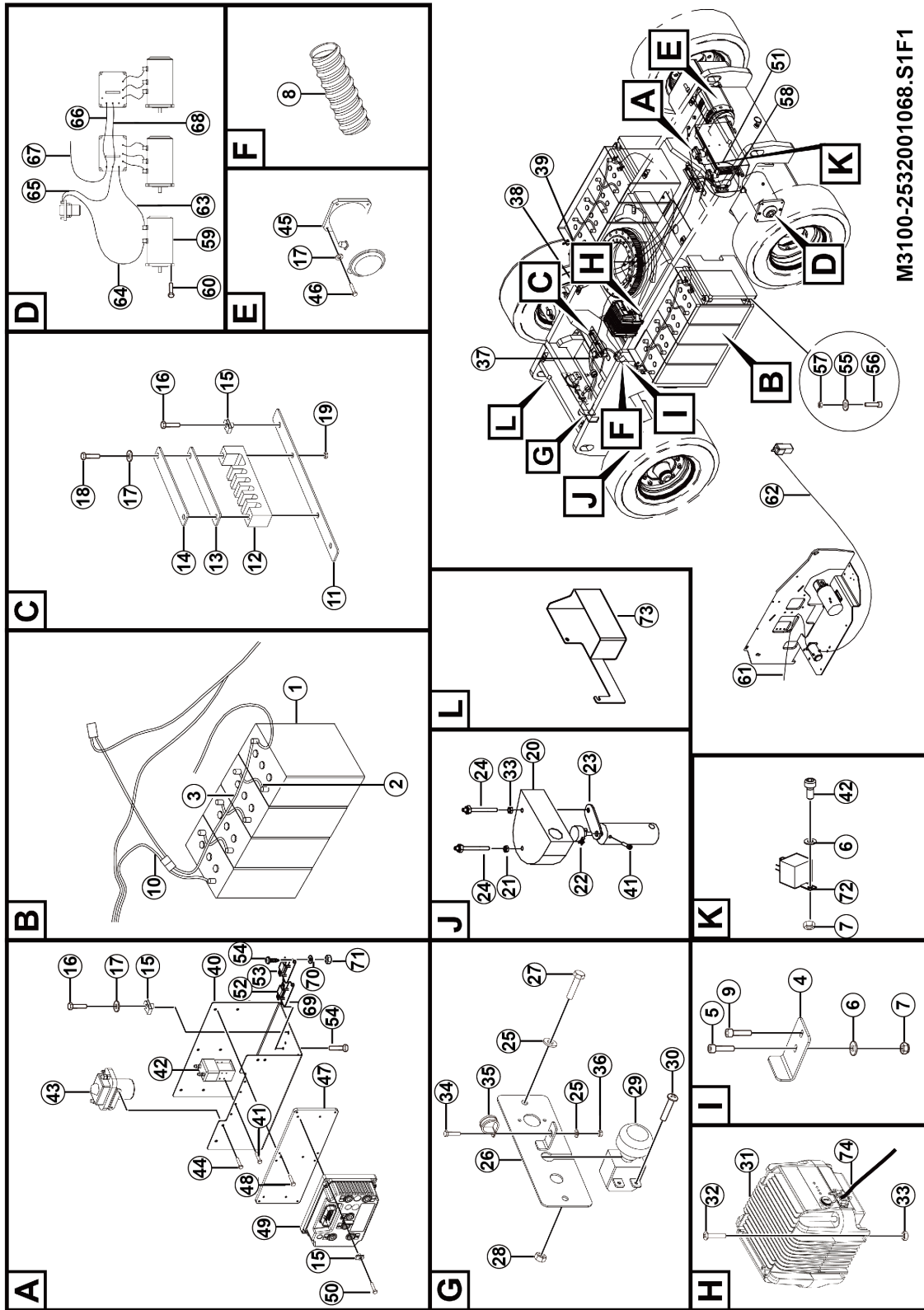


M3100-2532001068.S1F1

Item	Part No.	Name	Qty.	Remark
45	4130701606	Motor ACX-3398	2	
46	4014010420	Screw GB70.1-M8*40flZnyc-8.8-480	8	
47	25320008381	Motor driver mounting plate	1	
48	4014010181	Screw GB70.1-M6*12flznyc-8.8-480	6	
49	4130703335	Motor controller Combiaco	2	
50	4014010119	Screw GB70.1-M6*25flznyc-8.8-480	8	
51	25320007731	Safety walking motor connecting wire	1	
52	4130701734	Fuse 0298200 (Lite)	1	
53	4130703298	Fuse 0298400.ZXH	1	
54	4014010422	Screw GB70.1-M4*16flZnyc-8.8-480	4	
55	25320003561	Flat pad 8	16	
56	4011010972	Bolt GB5783-M8*35flZnyc-8.8-480	16	
57	4013010297	Nut GB889.1-M8flznyc-8-480	17	
58	25320007752	Safety emergency pump connection wire	1	
59	4130000943	Motor 5BCG52HA100	1	
60	4011010707	Bolt GB5783-M10*30flznyc-8.8-480	4	
61	25320007781	Functional pump ground wire	1	
62	25320007762	Emergency pump positive wire	1	
63	25320008501	ELEC motor cable P-	1	
64	25320008451	ELEC motor cable B+	1	
65	25320008901	B+ positive wire	1	
66	25320008911	B-connecting wire	1	

C3100-2532001068.S1F1-G1

Chassis elec assy



M3100-2532001068.S1F1



Drive Chassis Components

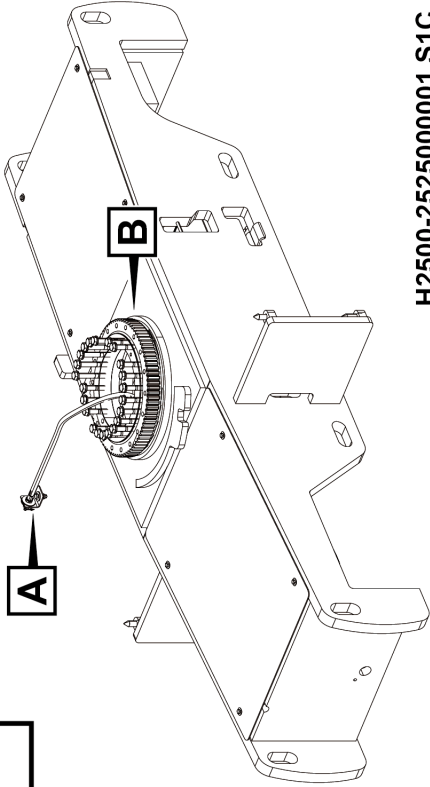
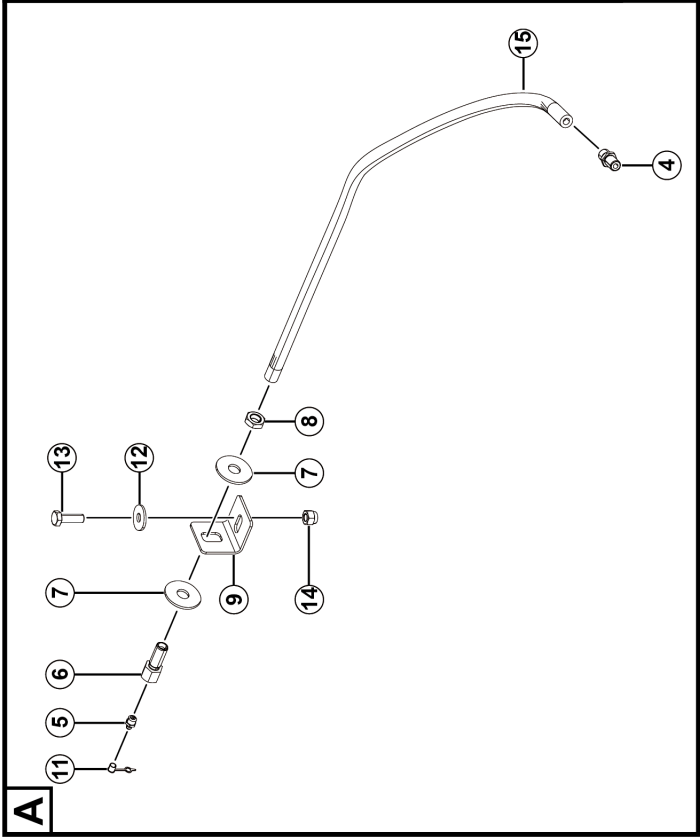
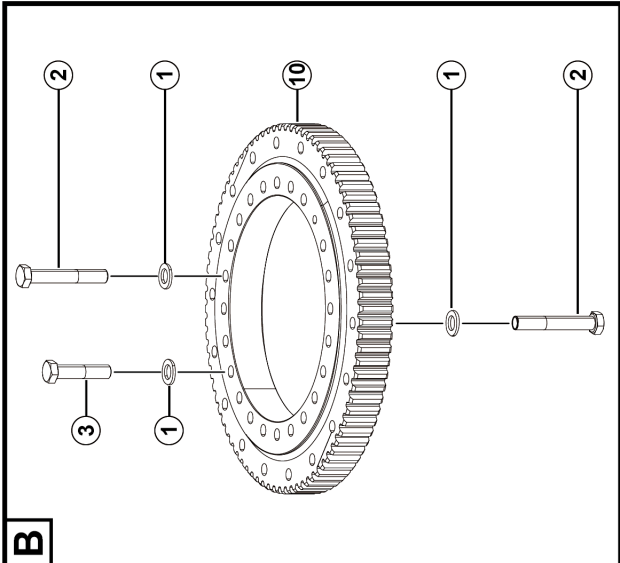
Item	Part No.	Name	Qty.	Remark
67	25320000951	B-ground wire	1	
68	25320008921	B+ connecting wire	1	
69	4130000956	Fuse seat 02981001ZXT	2	
70	4015010290	Washer GB97.1-4flZnyc-300HV-480	4	
71	4013010304	Nut GB6170-M4flZnyc-8-480	4	
72	4130000722	Relay HHZ024-1Z6SGR (U)	1	
73	25320012832	Charging cable storage box assy	1	
74	25320001651	Charging harness (CE)	1	

D

Turntable Components

D2500-2525000001.S1C

Swing mechanism assy



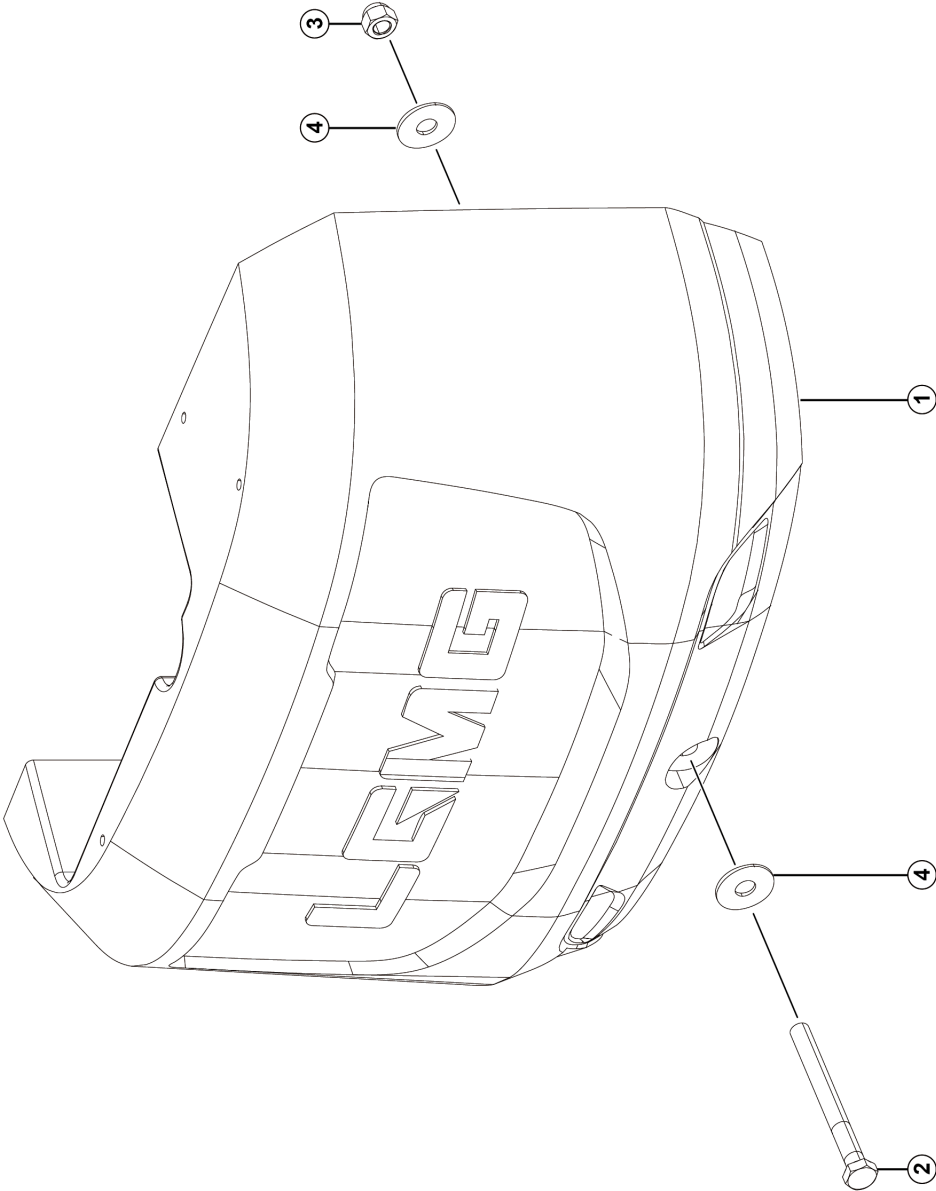
H2500-2525000001.S1C

Item	Part No.	Name	Qty.	Remark
1	4015010287	Washer GB97.1-16flZnyc-300HV-480	40	
2	4011011505	Bolt GB5782-M16*100flZnyc-10.9-480	24	
3	4011010483	Bolt GB5782-M16*70flZnyc-10.9-480	16	
4	25250000071	Straight joint M14*36	1	
5	4030000065	Grease nipple JB7940.1-M10*1	1	
6	25250000021	Over-plate joint M10-M14*52	1	
7	4015010371	Washer GB96.1-14flZnyc-300HV-480	2	
8	4013010403	Nut GB6173-M14*1.5flZnyc-05-480	1	
9	25250000031	Mounting plate	1	
10	4110001391	Swing bearing QWB342.22Z6	1	
11	4120000015	Butter nozzle cap JXHF-00006	1	
12	4015010278	Washer GB96.1-10flZnyc-300HV-480	1	
13	4011010707	Bolt GB5783-M10*30flznyc-8.8-480	1	
14	4013010296	Nut GB889.1-M10flznyc-8	1	
15	4120710914	Hose F481CACA080804-950	1	

D2800-2528000012.S1B

Counterweight assy

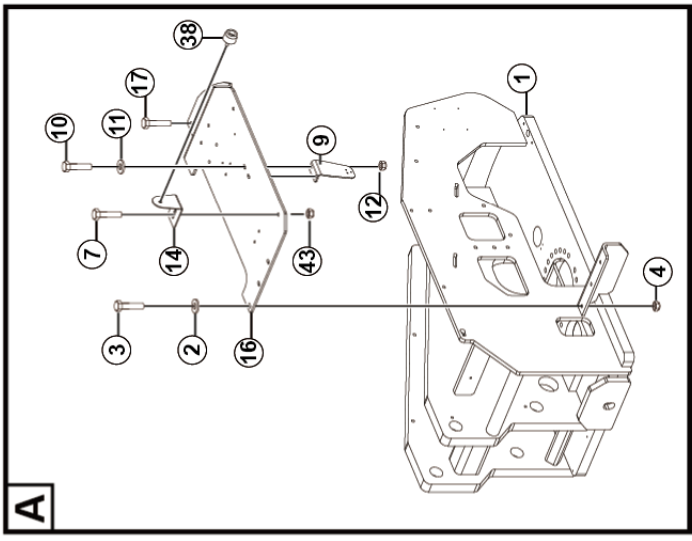
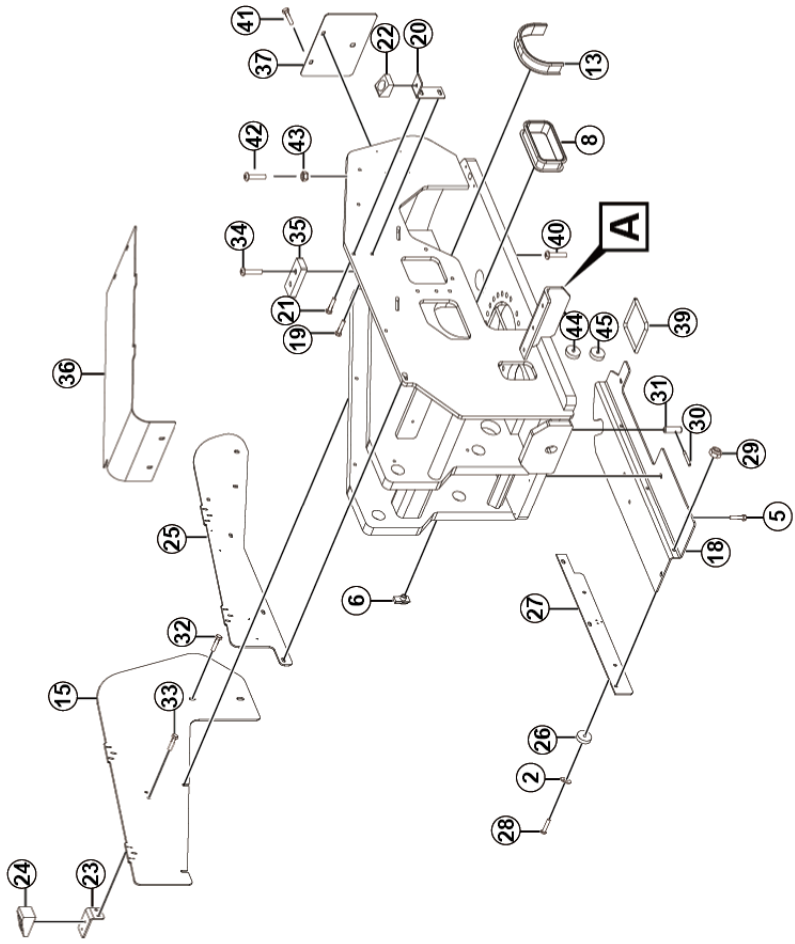
H2800-2528000012.S1B





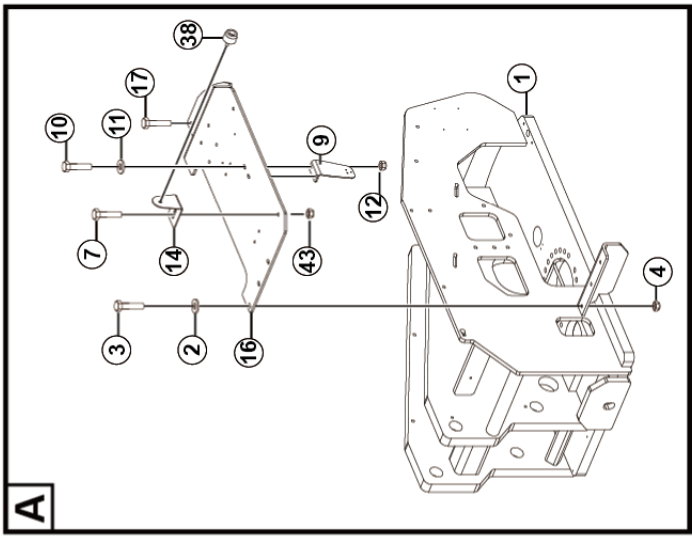
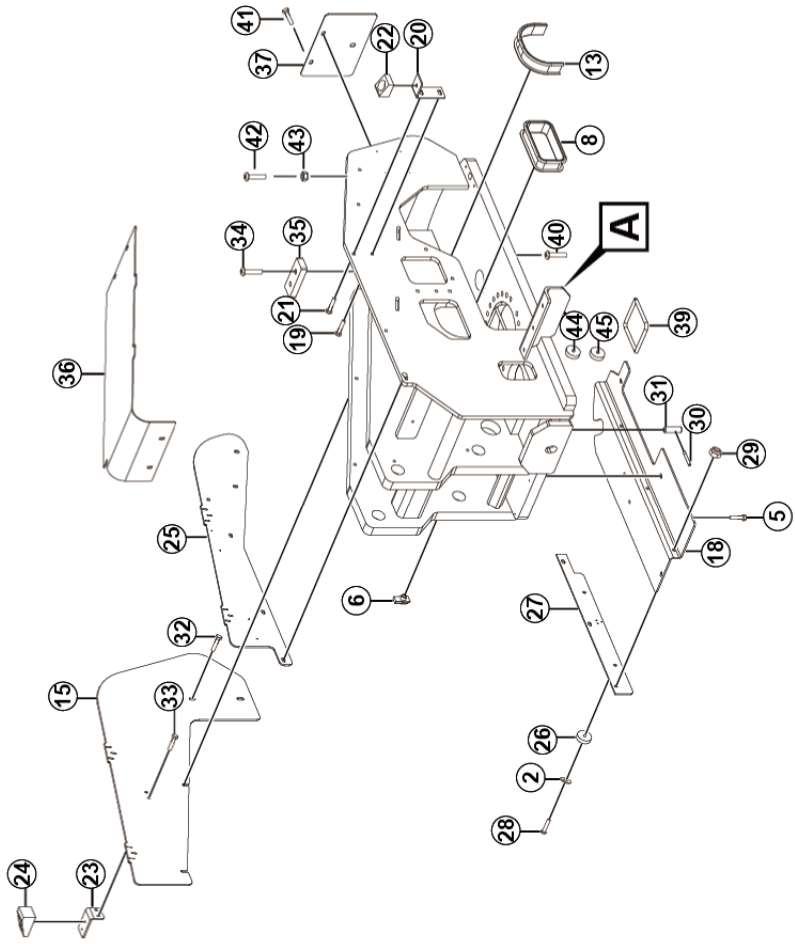
Turntable Components

Item	Part No.	Name	Qty.	Remark
1	25280000133	Counterweight	1	
2	4011011454	Bolt GB5782-M30*300flZnyc-8.8-480	1	
3	4013010498	Nut GB889.1-M30flZnyc-8-480	1	
4	4015010372	Washer GB96.1-30flZnyc-300HV-480	2	



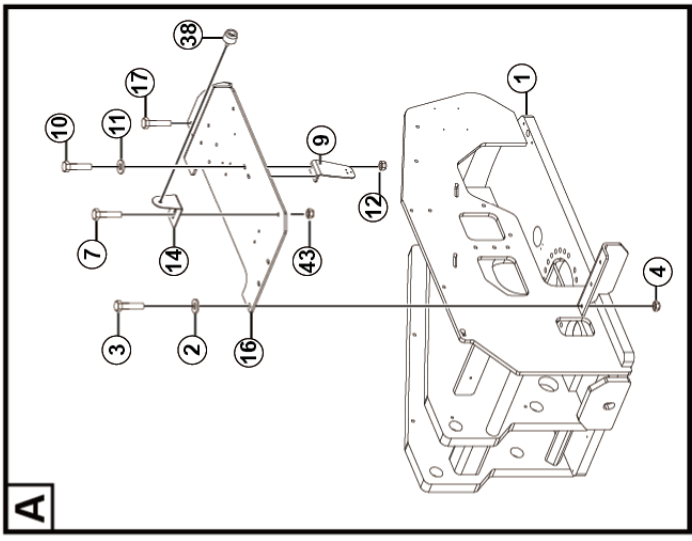
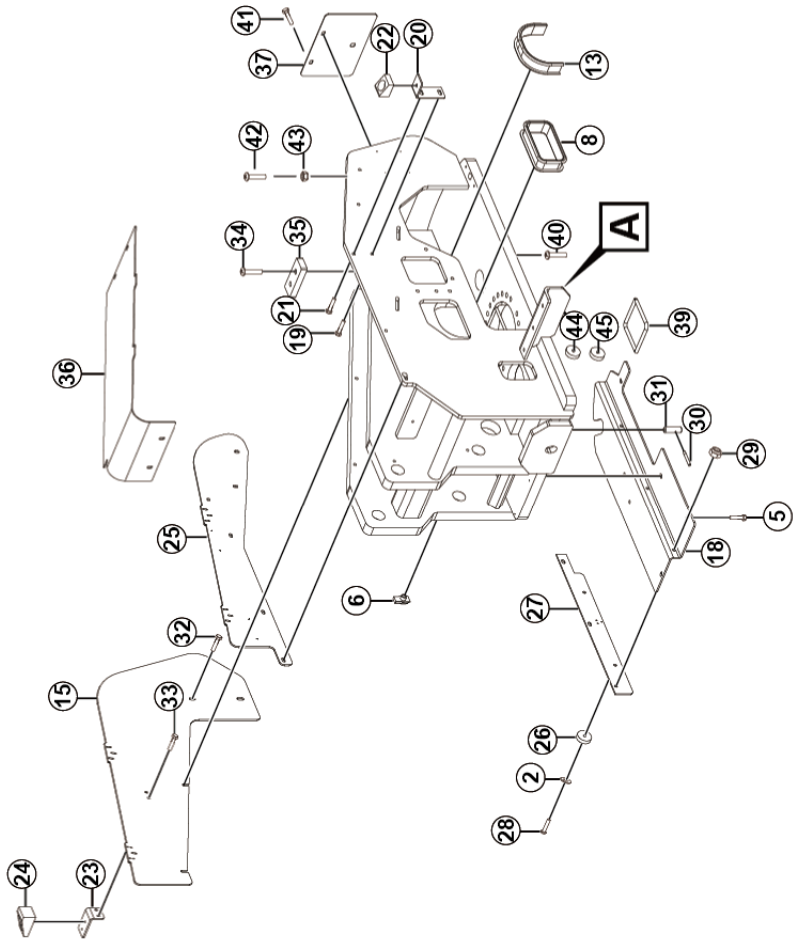
H1400-2523002274.S1A

Item	Part No.	Name	Qty.	Remark
1	25230000305	Turntable welded assy	1	
2	4015010278	Washer GB96.1-10flZnyc-300HV-480	32	
3	4011010727	Bolt GB5783-M10*35flZnyc-8.8-480	3	
4	4013010296	Nut GB889.1-M10flznyc-8	23	
5	4011010748	Bolt GB5783-M10*20flZnyc-8.8-480	3	
6	4013010370	Nut QC339-M10flZnyc-8-480	4	
7	4011010707	Bolt GB5783-M10*30flznyc-8.8-480	3	
8	25230001211	Rubber sleeve	1	
9	25230000321	Bent plate	1	
10	4011010743	Bolt GB5783-M8*25flznyc-8.8-480	2	
11	4015010289	Washer GB96.1-8flZnyc-300HV-480	12	
12	4013010297	Nut GB889.1-M8flznyc-8-480	6	
13	25230001201	Rubber sleeve	1	
14	25230000252	Bent plate	2	
15	25230001262	RH backplate wldmt	1	
16	25230001314	LH mounting plate	1	
17	4011010722	Bolt GB5783-M10*25flznyc-8.8-480	2	
18	25230022801	RH mounting plate	1	
19	4011011139	Bolt GB5782-M10*40flZnyc-8.8-480	5	
20	25230001272	Mounting plate	1	
21	4011011053	Bolt GB5782-M10*45flZnyc-8.8-480	1	
22	25230000392	Rubber block	1	



H1400-2523002274.S1A

Item	Part No.	Name	Qty.	Remark
23	25230001321	Mounting plate	1	
24	25230000343	Mounting block	1	
25	25230000203	LH backplate	1	
26	25230001193	Damping column	2	
27	25230000261	Fixing plate	1	
28	4014010467	Screw GB70.3-M10*50flZnyc-8.8-480	2	
29	4013010289	Nut GB6170-M10flZnyc-8-480	2	
30	25230000311	Threaded rod	1	
31	25230000292	Limit pin	1	
32	4011010729	Bolt GB5782-M10*65flZnyc-8.8-480	4	
33	4011010712	Bolt GB16674.1-M10*30flZnyc-8.8-480	2	
34	4014010455	No longer used	2	
35	25230000232	Backing plate	1	
36	25230000212	Cover plate	1	
37	25230022771	Backplate	1	
38	25290005903	Shock absorbing pad	2	
39		Single opening bellows		For illustration
40	4011010708	Bolt GB5783-M8*30flznyc-8.8-480	4	
41	4011010711	Bolt GB5783-M8*20flznyc-8.8-480	6	
42	4011011104	Bolt GB16674.1-M10*35flZnyc-8.8-480	1	
43	4013010349	Nut GB6172.1-M10flznyc-05-480	2	
44		Adjusting gasket 1		For illustration



H1400-2523002274.S1A

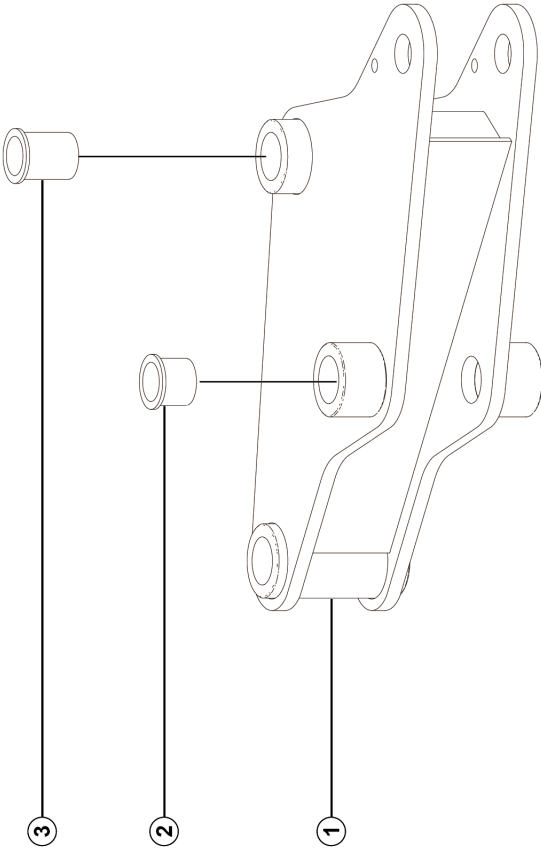
E

**Scissor(Boom Structure)
Components**

E2700-2524000002.S1A

Lwr bellcrank assy

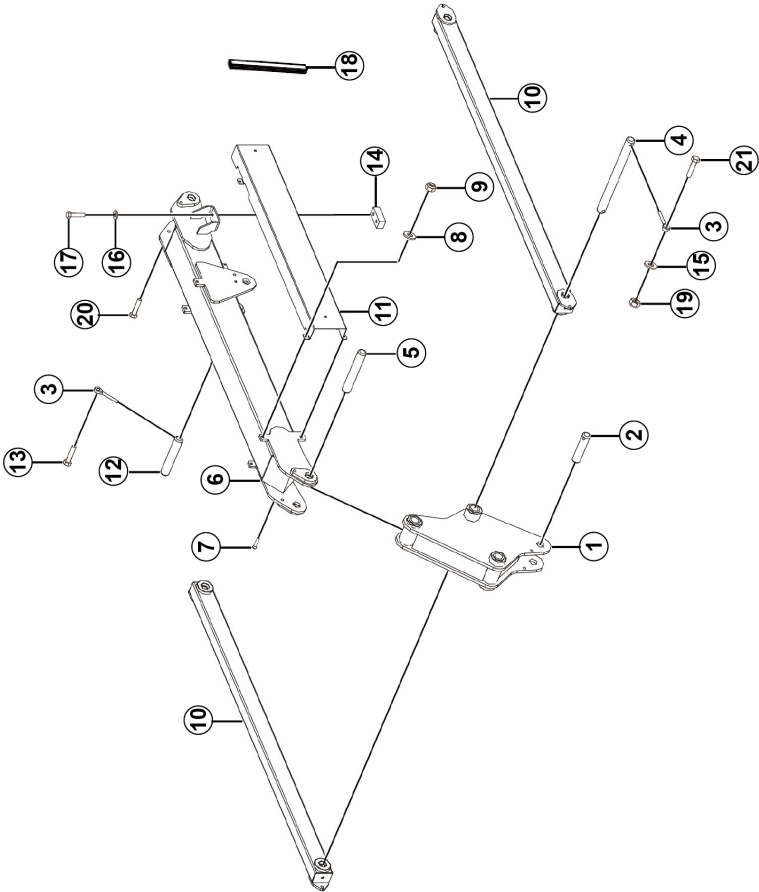
J2700-2524000002.S1A



E2700-2527000030.S1C

Jib assy

J2700-2527000030.S1C



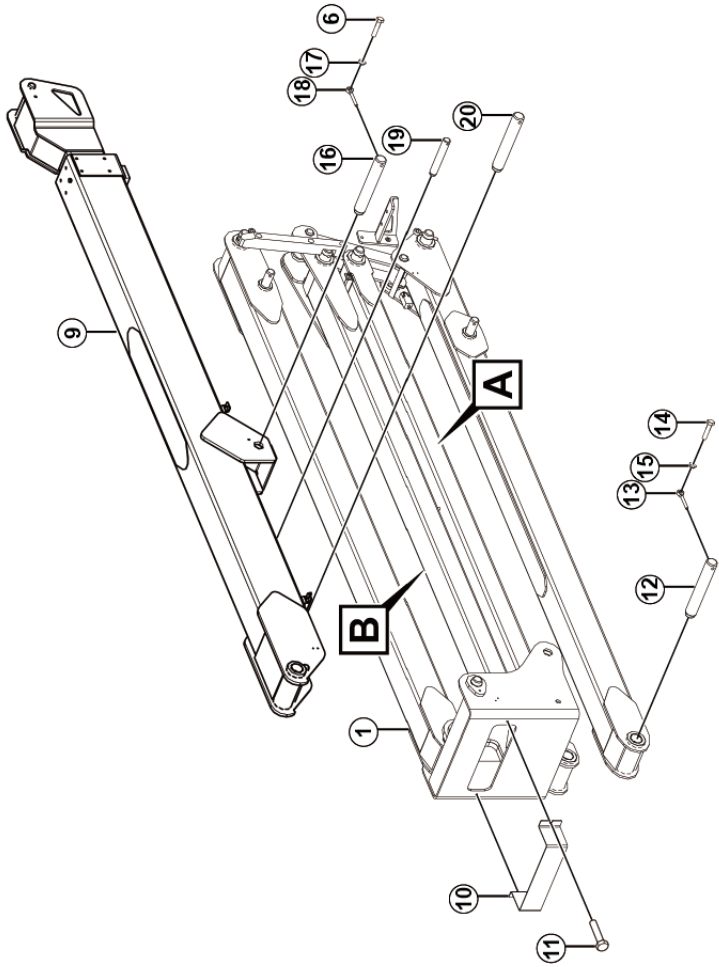


Scissor(Boom Structure) Components

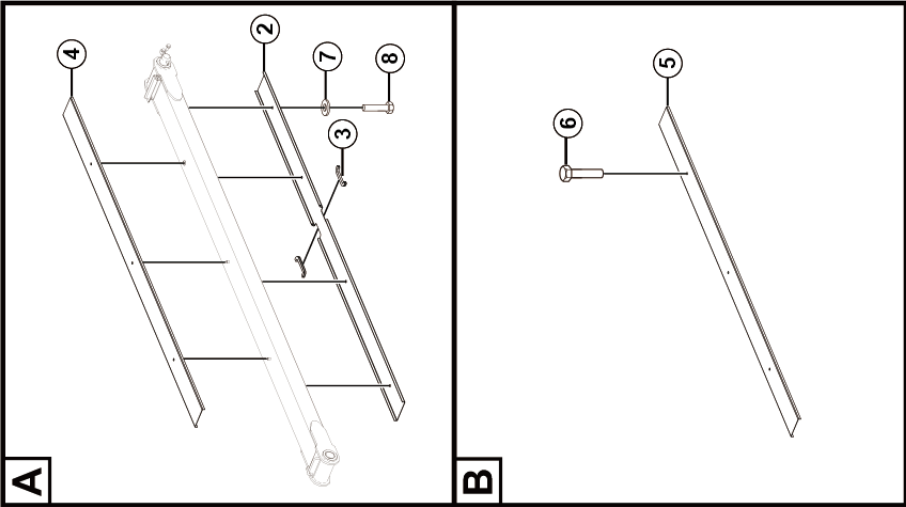
Item	Part No.	Name	Qty.	Remark
1	25240000021	Lwr connecting frame assy	1	
2	25240000391	Shaft 1.25*5.25	1	
3	25200000641	Latch	8	
4	25240000351	Shaft 1.25*14.45	2	
5	25240000361	Shaft 1.25*7.88	2	
6		Upr connecting rod		For illustration
7	4011010953	Bolt GB12-M6*25flZnyc-8.8-480	4	
8	4015010284	Washer GB97.1-6flZnyc-300HV-480	4	
9	4013010300	Nut GB889.1-M6flznyc-8-480	4	
10	25240000232	Lwr connecting rod	2	
11	25240000381	Backplate	1	
12	25240000371	Shaft 1.25*7.00	1	
13	4011010706	Bolt GB5783-M10*40flZnyc-8.8-480	2	
14	25240000402	Backing block	2	
15	4015010339	Washer GB97.1-10flZnyc-300HV-480	10	
16	4015010280	Washer GB97.1-8flZnyc-300HV-480	4	
17	4011010743	Bolt GB5783-M8*25flznyc-8.8-480	4	
18	4190707216	Clip rubber bar 492990 120mm	1	
19	4013010296	Nut GB889.1-M10flznyc-8	8	
20	4011010825	Bolt GB5782-M10*70flZnyc-8.8-480	2	
21	4011010727	Bolt GB5783-M10*35flZnyc-8.8-480	4	

E1800-2522000001.B1C1-G1

Boom assy



J1800-2522000001.B1C1





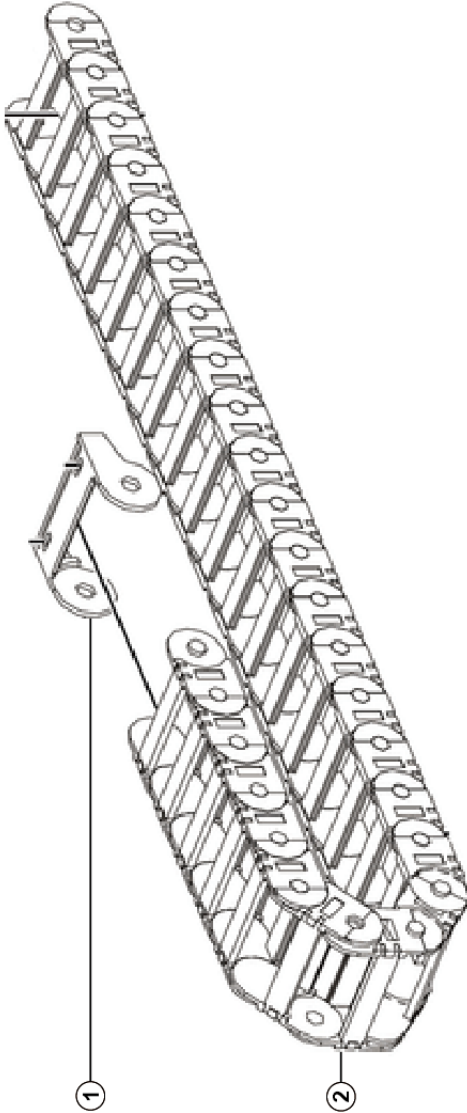
Scissor(Boom Structure) Components

Item	Part No.	Name	Qty.	Remark
1		Folding arm assy		For illustration
2	25220001021	Pipe cover	1	
3	4190707217	Clip rubber bar 492990 130mm	6	
4	25220001032	Pipe cover	1	
5	25220046711	Cover plate III	1	
6	4011010722	Bolt GB5783-M10*25flznyc-8.8-480	6	
7	4015010278	Washer GB96.1-10flZnyc-300HV-480	12	
8	4011010963	Bolt GB5783-M10*16flZnyc-8.8-480	7	
9		Telescopic boom assy		For illustration
10	25220015301	Cover plate widmt	1	
11	4011010748	Bolt GB5783-M10*20flZnyc-8.8-480	2	
12	25220003091	Shaft	2	
13	25220000611	Latch	3	
14	4011010978	Bolt GB5783-M12*30flznyc-8.8-480	3	
15	4015010340	Washer GB97.1-12flZnyc-300HV-480	3	
16	25220001071	Shaft 1.75*9.25	1	
17	4015010339	Washer GB97.1-10flZnyc-300HV-480	3	
18	25200000641	Latch	3	
19	25220003101	Leveling hyd cylinder shaft	2	
20	25220001061	Shaft 1.75*11.88	1	

E2400-4190707471

Cable track assy (11131)

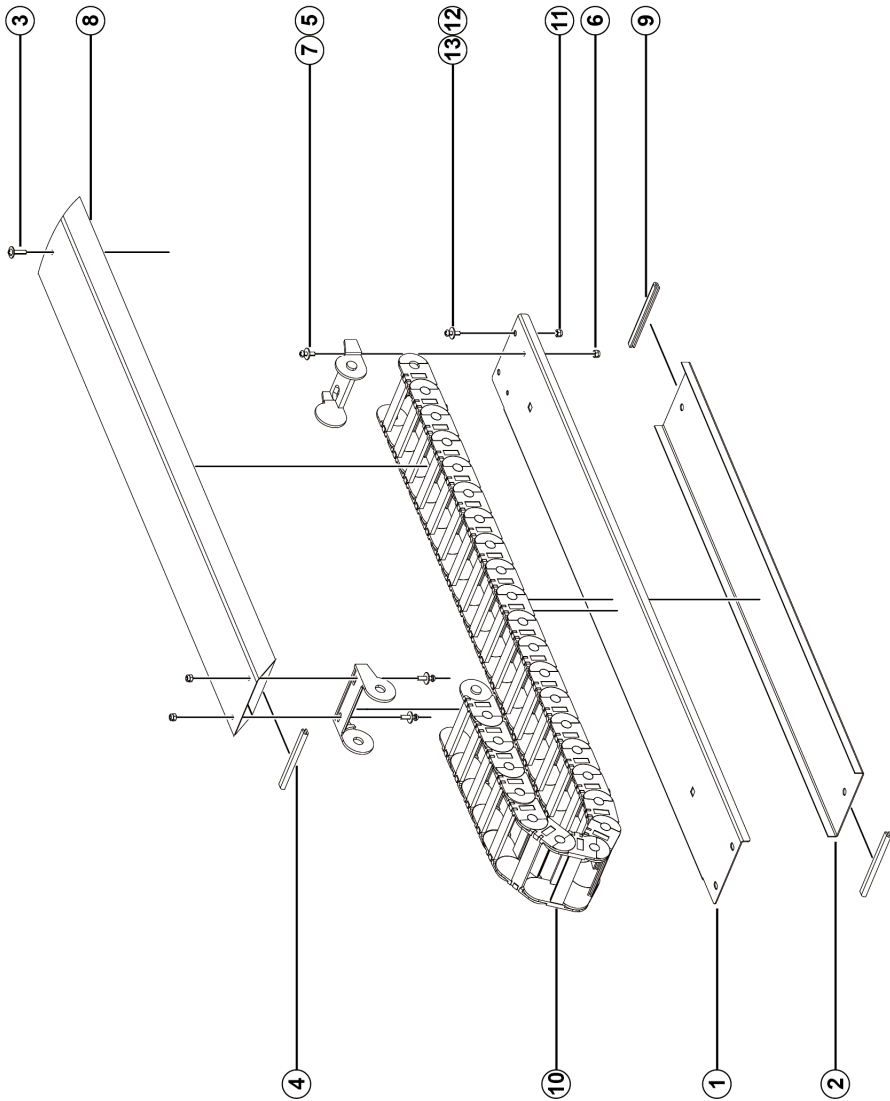
J2400-4190707471



E2700-2527000001.S1D

Cable track sys

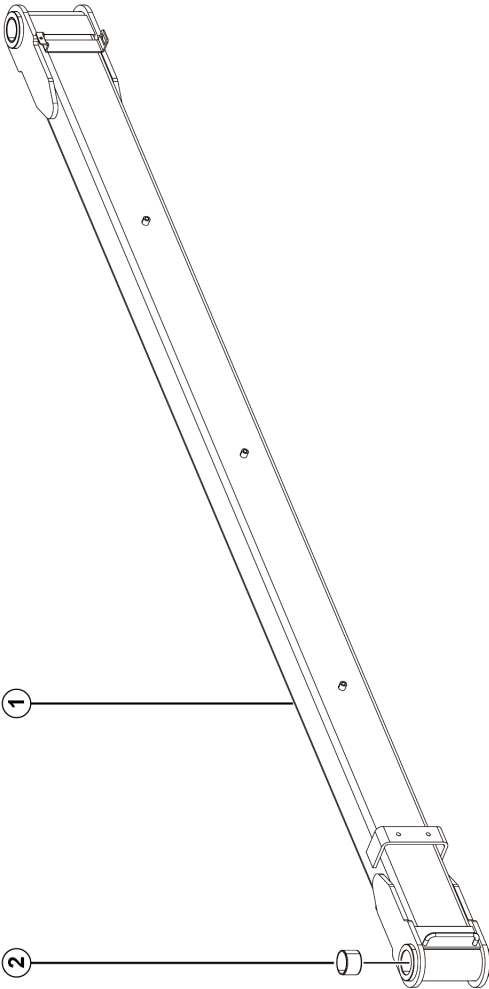
J2700-2527000001.S1D



E2200-2522000034.S1A

Lwr arm 1 assy

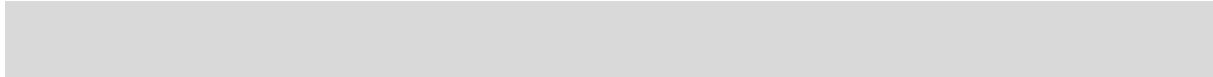
J2200-2522000034.S1A





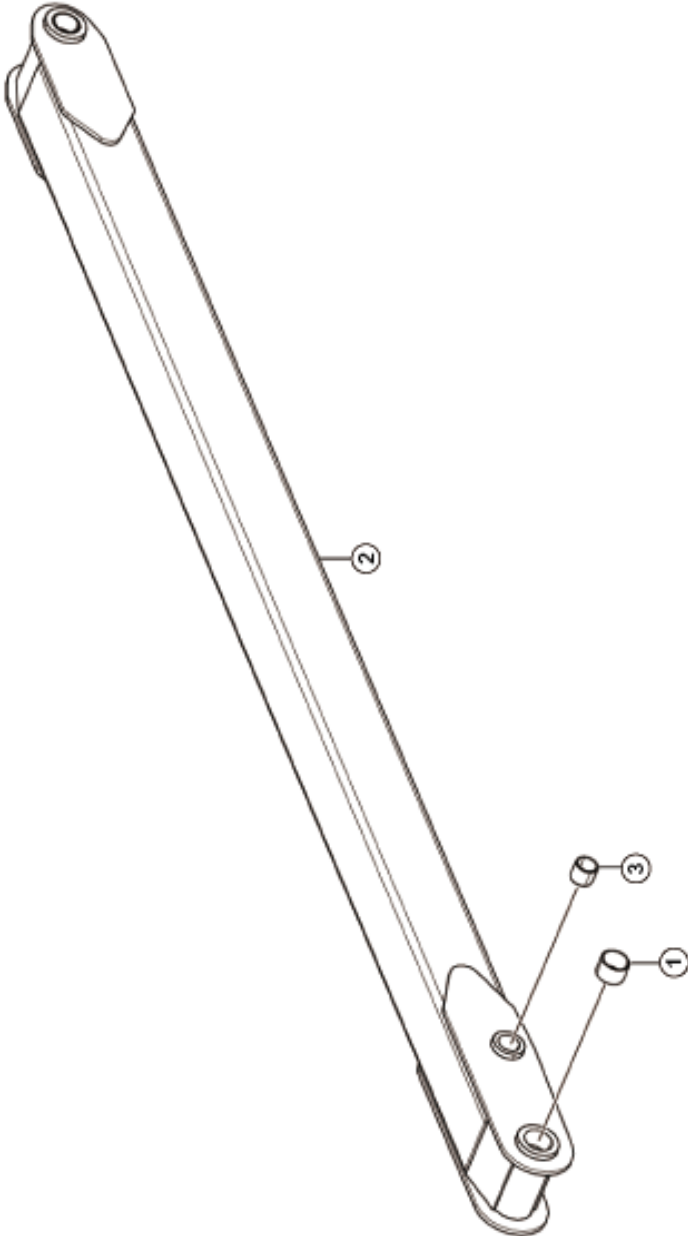
Scissor(Boom Structure) Components

Item	Part No.	Name	Qty.	Remark
1	25220000354	Lwr arm	1	
2	25220000211	Shaft sleeve 2"*2.25"*1.5"	4	



E2200-2522004683.S1A-G5

Upr arm 2 assy

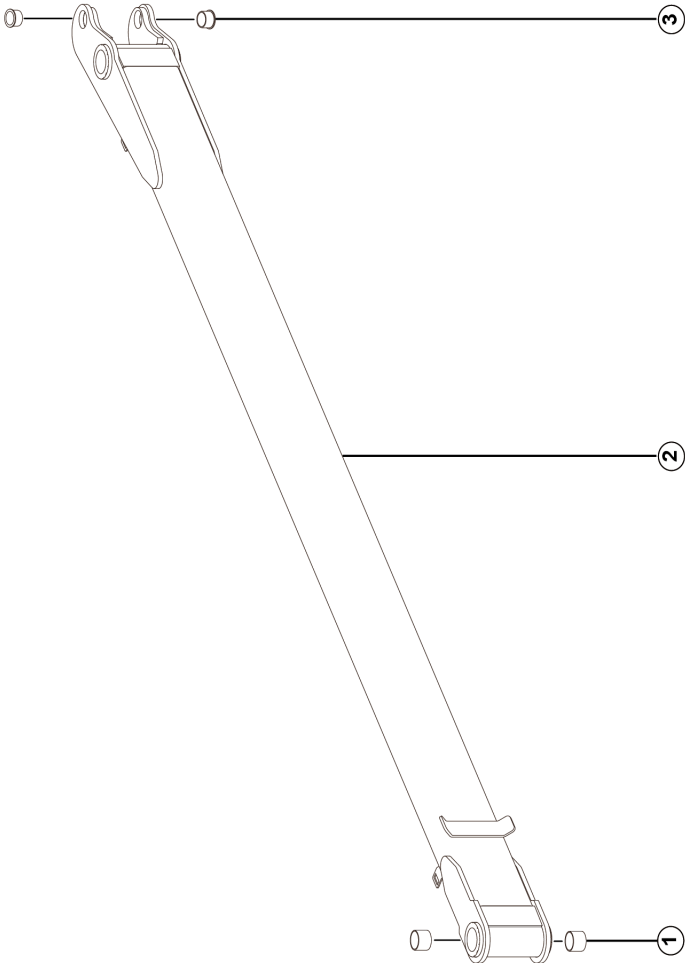


J2200-2522004683.S1A

E2200-2522000043.S1A

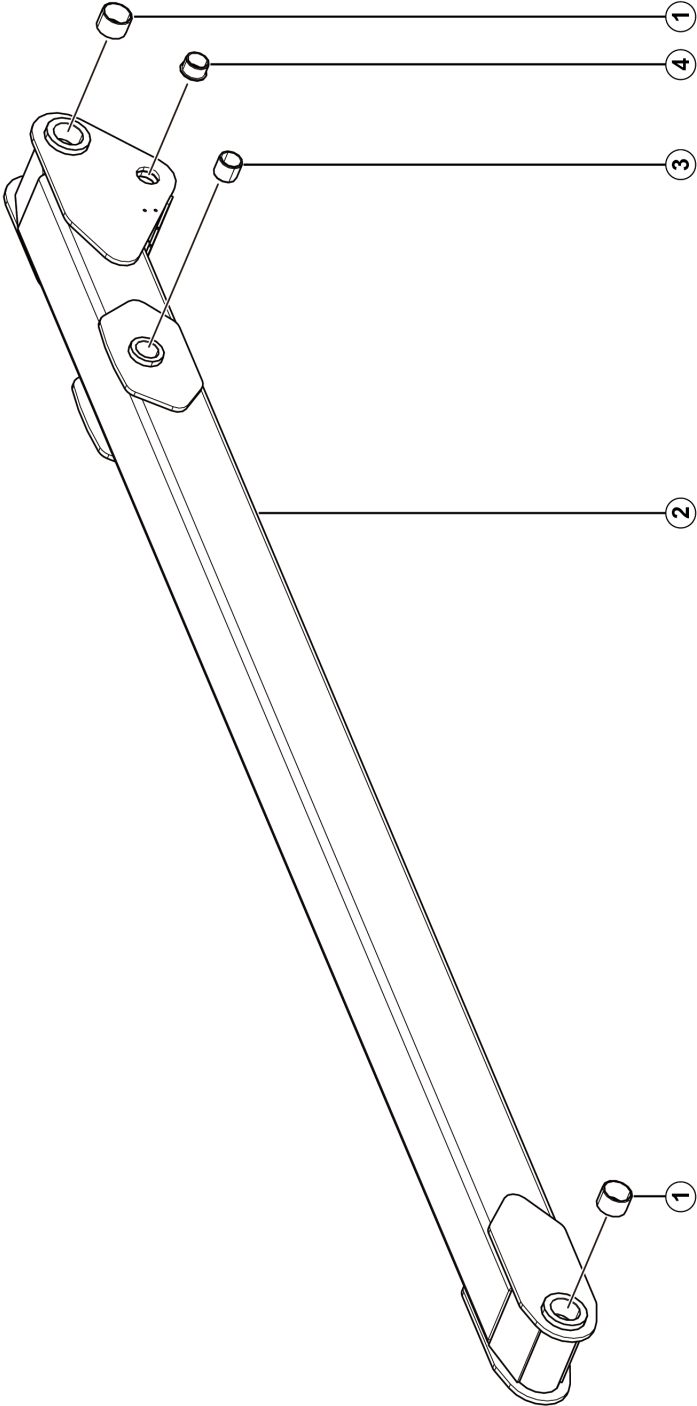
Upr arm 1 assy

J2200-2522000043.S1A



E2200-2522004685.S1B

Lwr arm 2 assy



J2200-2522004685. S1B

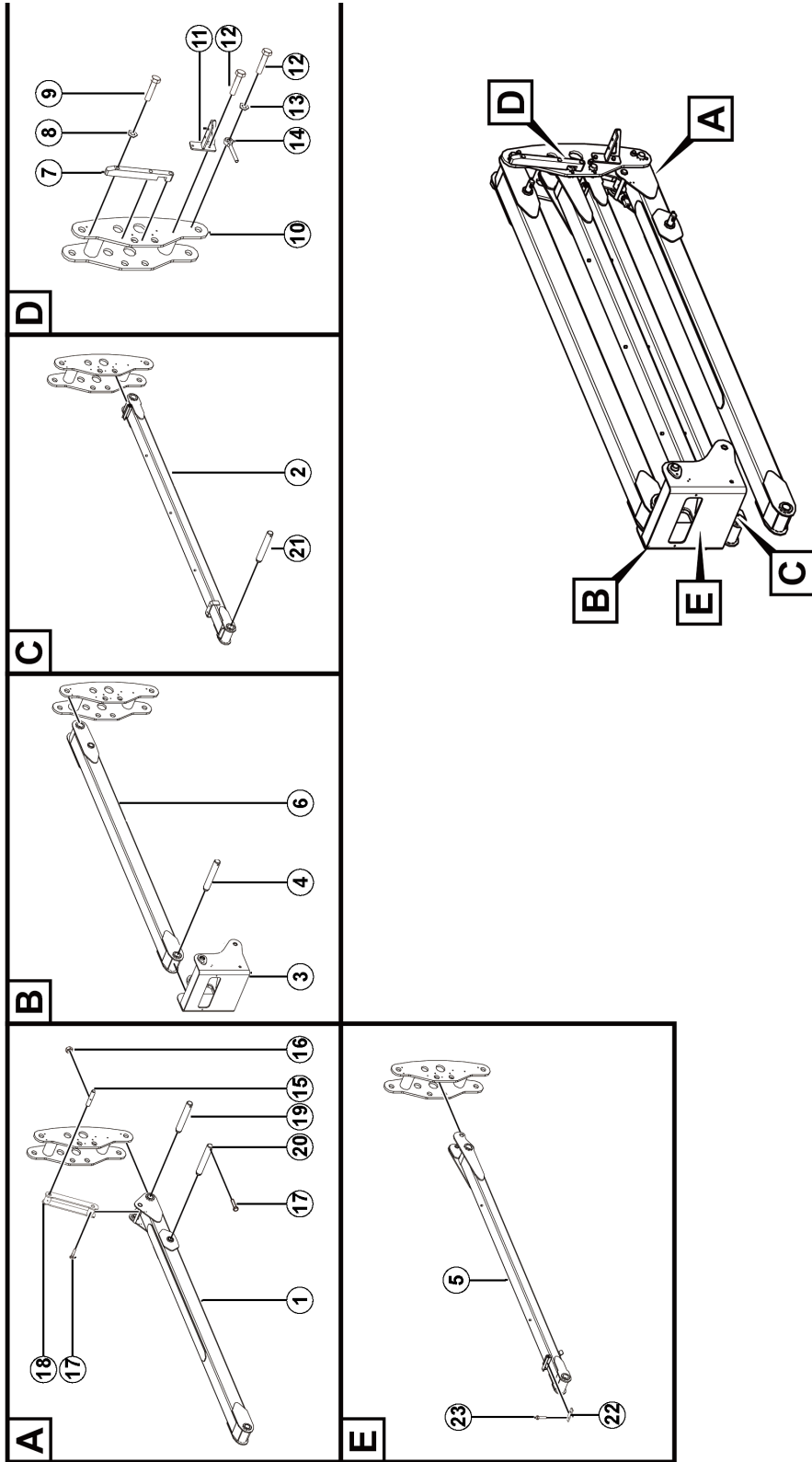


Scissor(Boom Structure) Components

Item	Part No.	Name	Qty.	Remark
1	25220000211	Shaft sleeve 2"*2.25"*1.5"	4	
2		Lwr two arms		For illustration
3	25220000231	Shaft sleeve 38.1*44.45*38.1	2	
4	25220000221	Shaft sleeve 1.5"*1.75"*1.1"	2	

E1800-2522000301.S1C-G1

Secondary boom assy



J1800-2522000301.S1C

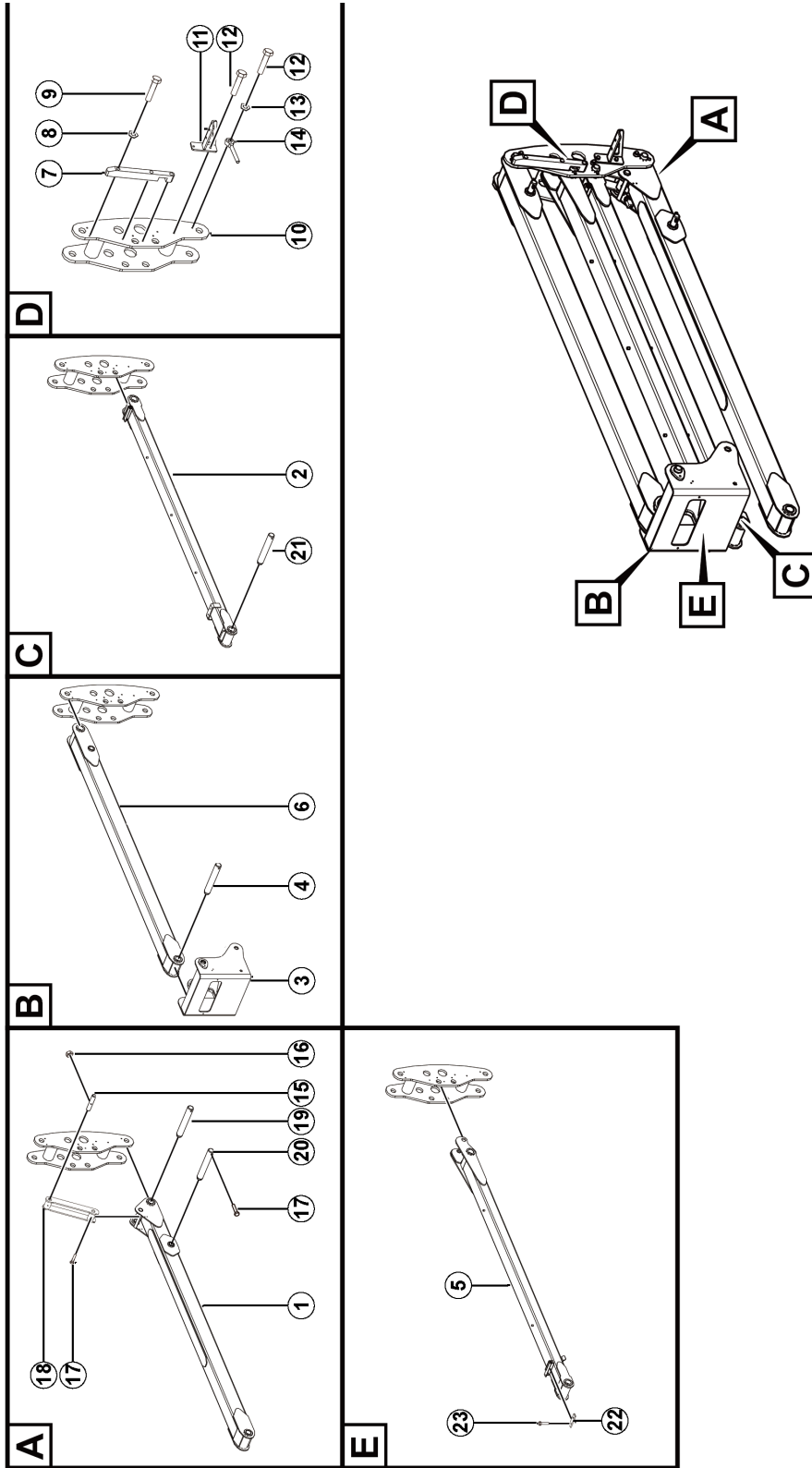


Scissor(Boom Structure) Components

Item	Part No.	Name	Qty.	Remark
1	25220046852	Lwr two arm assy	1	
2	25220000343	Lwr arm assy	1	
3	25220021001	Upr pivot distribution assy	1	
4	25220000631	Shaft 2*24	1	
5	25220000431	Upr 1st arm assy	1	
6	25220046831	Upr 2nd arm assy	1	
7	25220001111	Spacer block	1	
8	4015010339	Washer GB97.1-10flZnyc-300HV-480	3	
9	4011010727	Bolt GB5783-M10*35flZnyc-8.8-480	3	
10	25220000022	Central	1	
11	25220002981	Support	1	
12	4011010978	Bolt GB5783-M12*30flznc-8.8-480	8	
13	4015010340	Washer GB97.1-12flZnyc-300HV-480	8	
14	25220000611	Latch	6	
15	25220000621	Shaft 1.5*7.5	2	
16	4013010296	Nut GB889.1-M10flznc-8	6	
17	4011010724	Bolt GB5782-M10*75flZnyc-8.8-480	6	
18	25220000531	Connecting rod	1	
19	25220000601	Shaft 2*10.88	4	
20	25220000651	Shaft 1.5*13.88	2	
21	25220000641	Shaft 2*12.88	1	
22	25220000591	Backing block	1	

E1800-2522000301.S1C-G1

Secondary boom assy

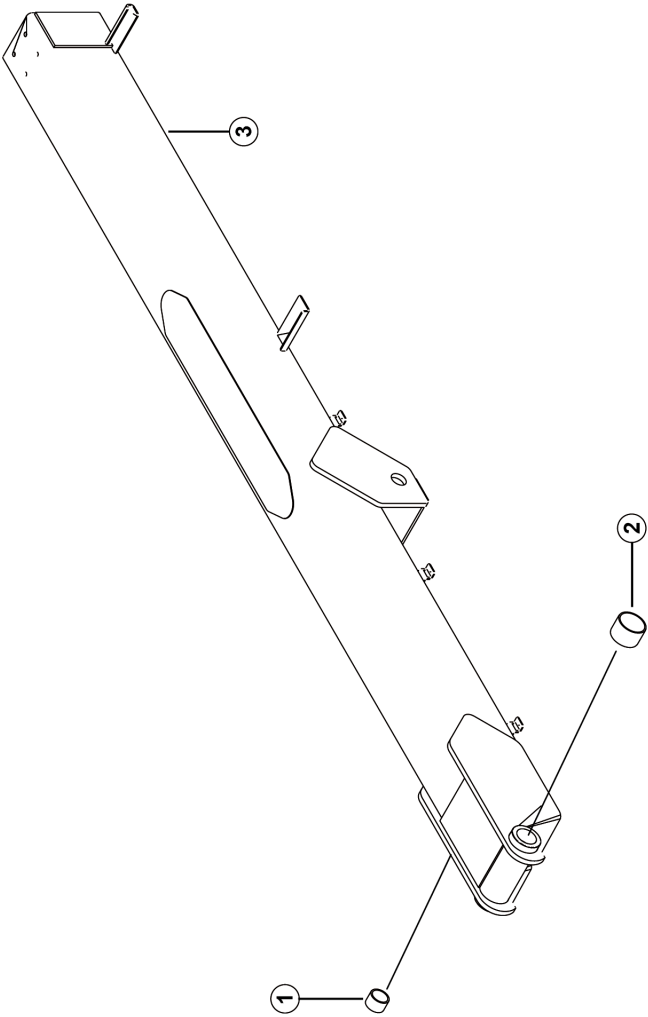


J1800-2522000301.S1C

E2200-2522000069.S1A-G1

Primary boom subassy

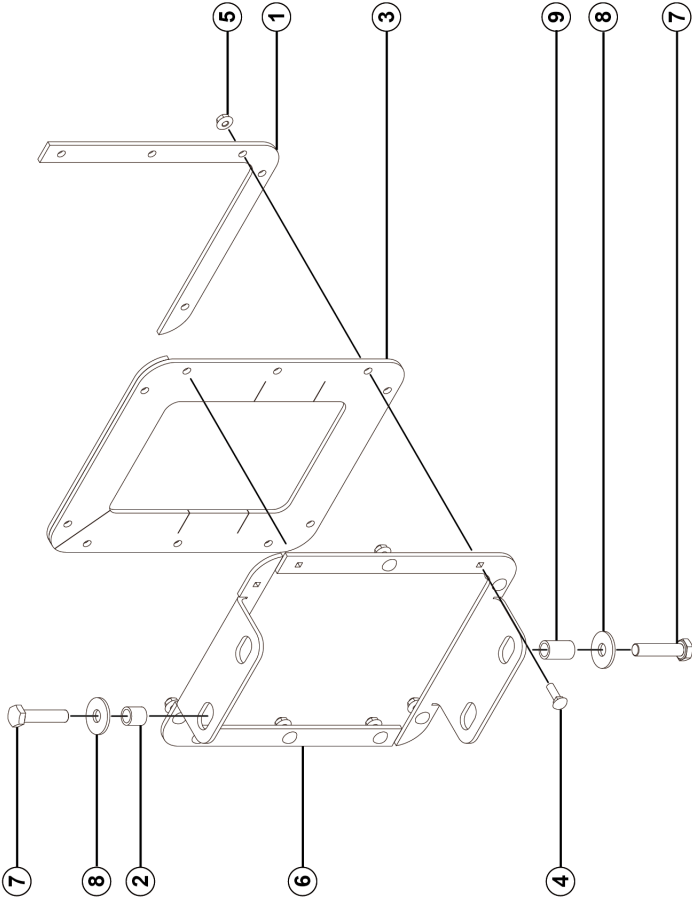
J2200-2522000069.S1A



E2200-2522001186.S1B

Shield assy

J2200-2522001186.S1B



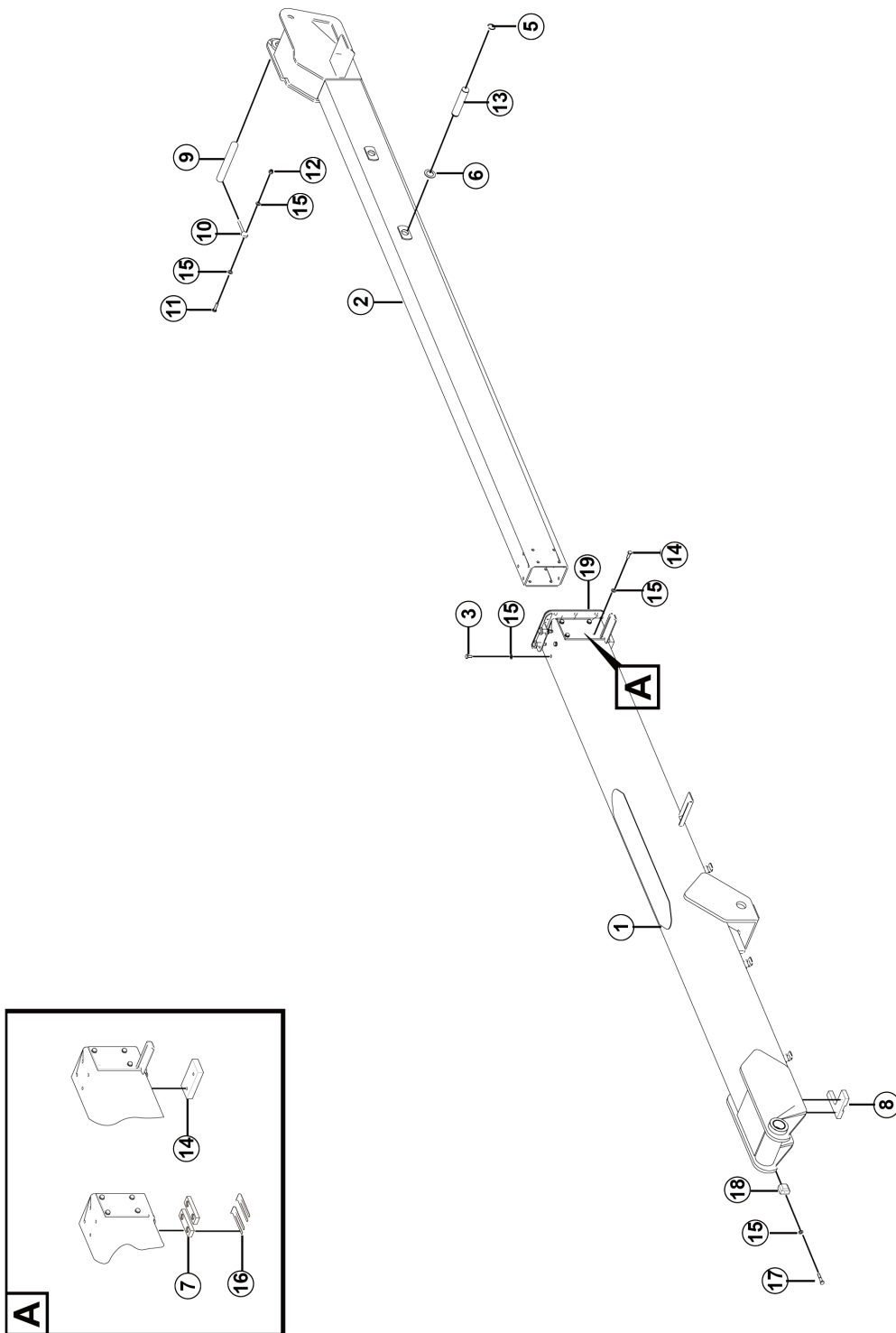


Scissor(Boom Structure) Components

Item	Part No.	Name	Qty.	Remark
1	25220011821	L-plate	2	
2	25220011841	Round pipe I	2	
3	25220011832	Rubber plate	1	
4		Bolt GB12-M6*20fIZnyc-8.8-480		For illustration
5	4013010388	Nut GB6177.1-M6fIZnyc-8-480	10	
6	25220011811	Fixing plate	2	
7	4011011046	Bolt GB5783-M10*45fIZnyc-8.8-480	4	
8	4015010278	Washer GB96.1-10fIZnyc-300HV-480	4	
9	25220011851	Round pipe II	2	

E2200-2522000068.S1B-G1

Telescopic boom assy



J2200-2522000068.S1B



Scissor(Boom Structure) Components

Item	Part No.	Name	Qty.	Remark
1	25220000691	Main boom assy	1	
2	25220000852	Extension arm	1	
3	4011010748	Bolt GB5783-M10*20flZnyc-8.8-480	16	
4	4011010707	Bolt GB5783-M10*30flznc-8.8-480	8	
5	4015010268	Snap ring JB4342-32flZnyc-65Mn-480	1	
6	25220000991	Washer	4	
7	25220003122	Slider	14	
8	25220003111	Slider	1	
9	25220001001	Shaft 1.25*8.88	1	
10	25200000641	Latch	1	
11	4011010706	Bolt GB5783-M10*40flZnyc-8.8-480	3	
12	4013010296	Nut GB889.1-M10flznc-8	1	
13	25220000982	Shaft 1.25*6.36	2	
14	25220001011	Backing block	1	
15	4015010339	Washer GB97.1-10flZnyc-300HV-480	1	
16	25220002821	Adjusting gasket	14	
17	4011010732	Bolt GB5782-M10*50flZnyc-8.8-480	2	
18	25220001102	Hyd cylinder platen	2	
19		Shield assy		For illustration

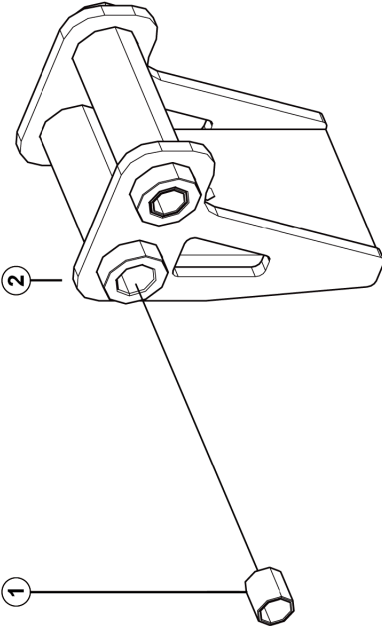
F

Platform Components

F2100-2521003944.S1B

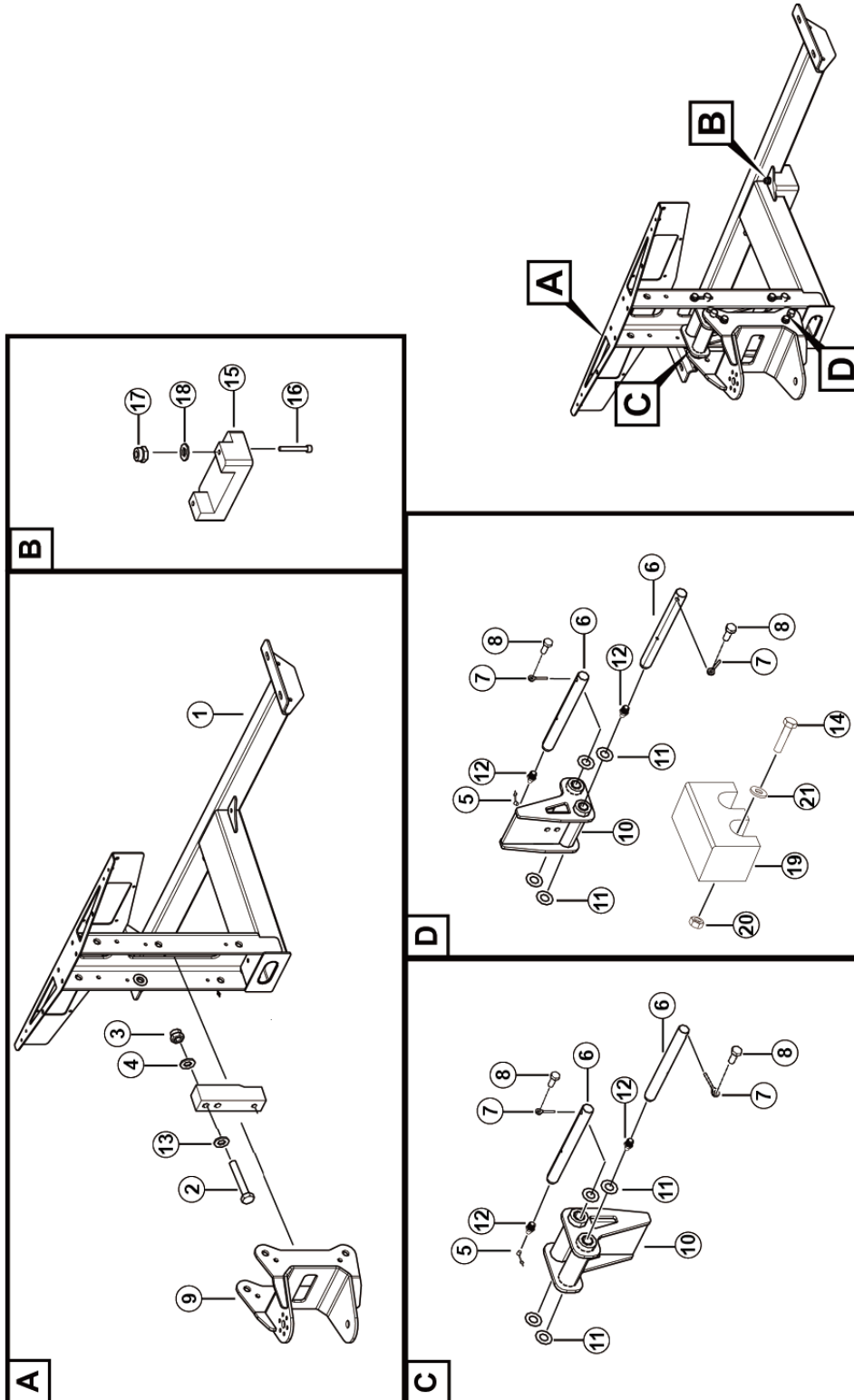
Triangular bracket assy

K2100-2521003944.S1B



F2100-2521004171.S1B1-G1

Platform support assy

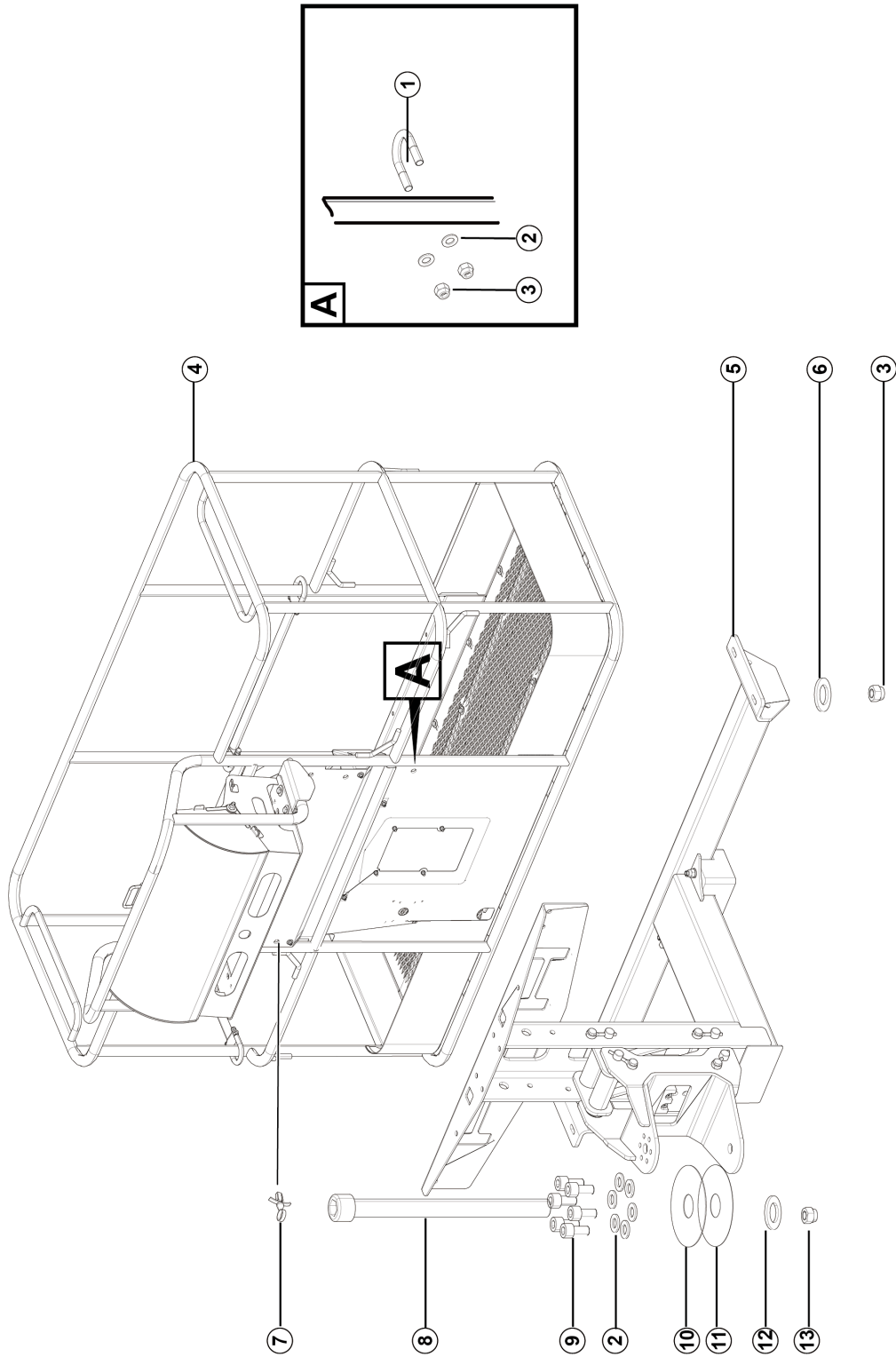


K2100-2521004171.S1B1

Item	Part No.	Name	Qty.	Remark
1	25210039536	Platform support	1	
2	4011010956	Bolt GB5782-M12*70fZnyc-8.8-480	2	
3	4013010301	Nut GB889.1-M12fZnyc-8-480	2	
4	4015010340	Washer GB97.1-12fZnyc-300HV-480	2	
5	4030100411	No longer used	4	
6	25210039381	Transition bracket pin	4	
7	25200008311	Latch	4	
8	4011010748	Bolt GB5783-M10*20fZnyc-8.8-480	4	
9	25210074981	Mounting bracket wldmt	1	
10	25210039443	Triangle bracket assy	2	
11	25210041851	Adjusting gasket	8	
12		No longer used		For illustration
13	4015010278	Washer GB96.1-10fZnyc-300HV-480	1	
14	4014010420	Screw GB70.1-M8*40fZnyc-8.8-480	2	
15	25210021683	Collision seat	1	
16	4014010426	Screw GB70.1-M10*80fZnyc-8.8-480	2	
17	4013010296	Nut GB889.1-M10fZnyc-8	2	
18	4015010339	Washer GB97.1-10fZnyc-300HV-480	2	
19	25210049862	Limit plate	1	
20	4013010297	Nut GB889.1-M8fZnyc-8-480	2	
21	4015010280	Washer GB97.1-8fZnyc-300HV-480	4	

F2100-2521004170.S1F-G1

Platform assy

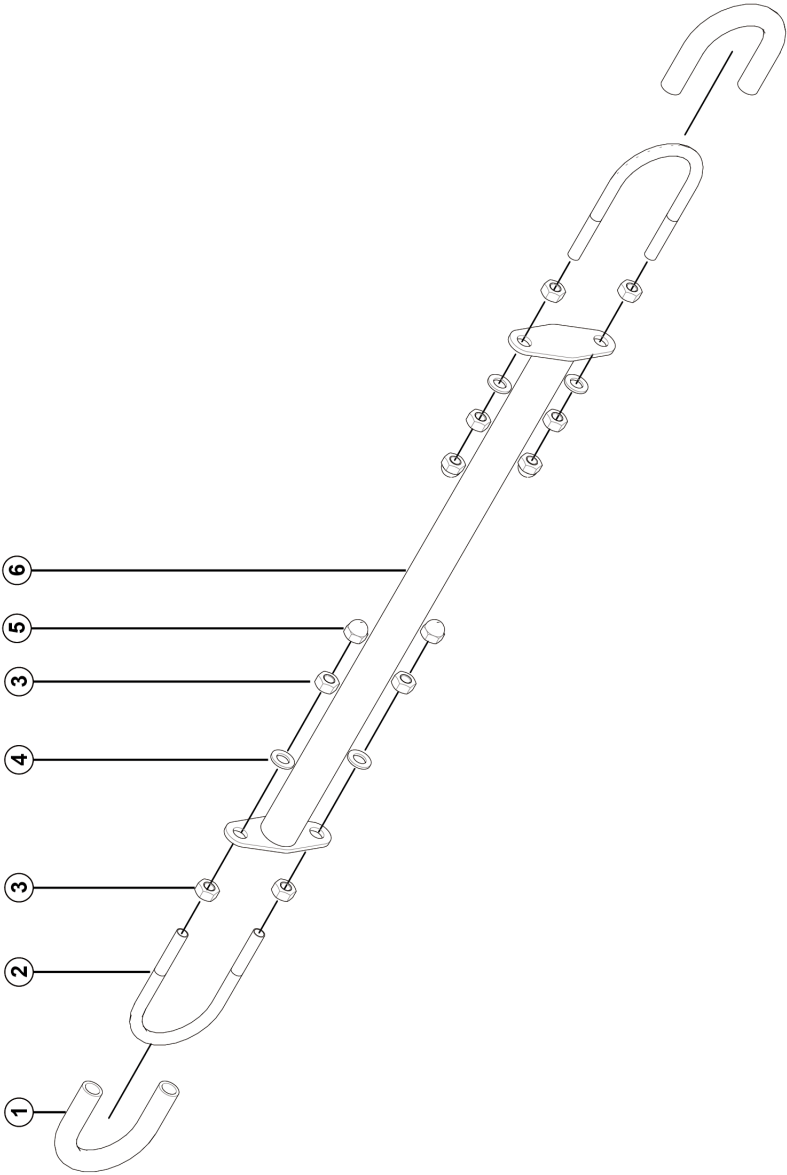


K2100-2521004170.S1F

4

F2100-2521003960.S1C

Sliding rail with U-bolts



K2100-2521003960.S1C



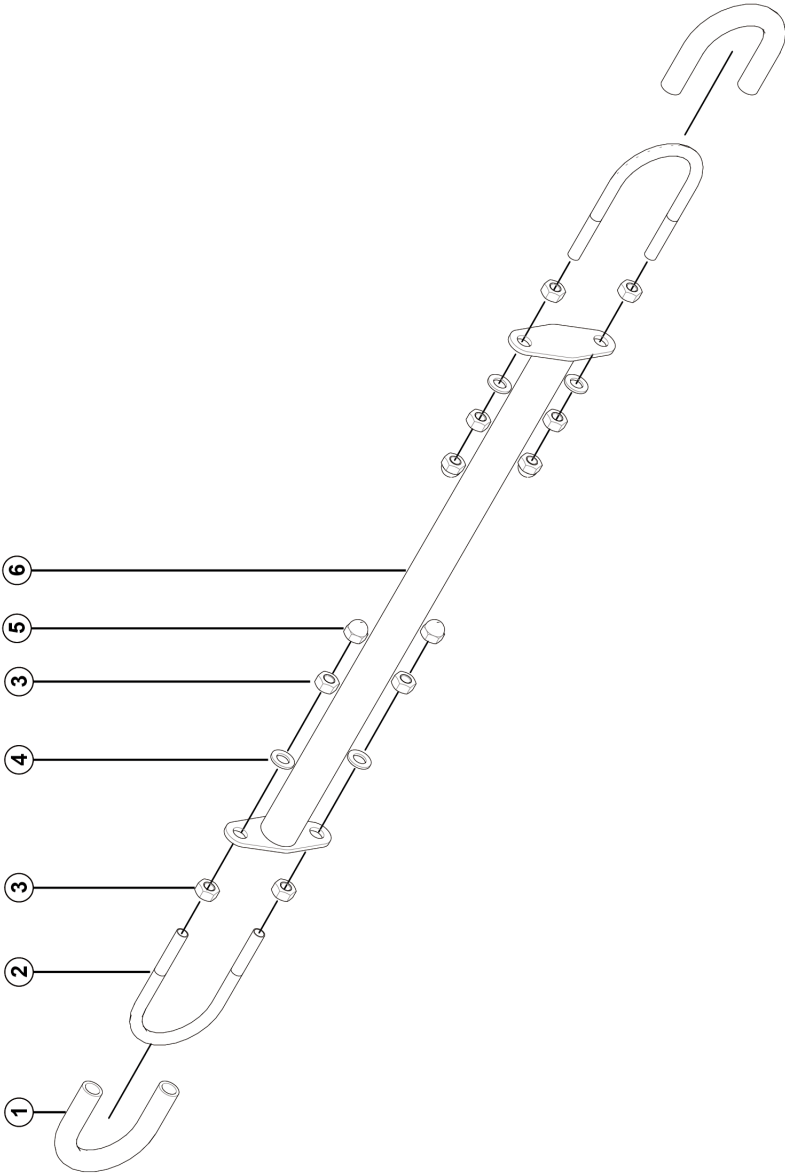
Platform Components

Item	Part No.	Name	Qty.	Remark
1		Hose		For illustration
2		U-bolt		For illustration
3	4013010291	Nut GB6170-M8flznyc-8-480	2	
4	4015010280	Washer GB97.1-8flZnyc-300HV-480	1	
5	4013010381	Nut GB923-M8flZnyc-8-480	1	
6	25210039561	Lifting rod	1	



F2100-2521003957.S1C

Sliding rail with U-bolts



K2100-2521003957.S1C



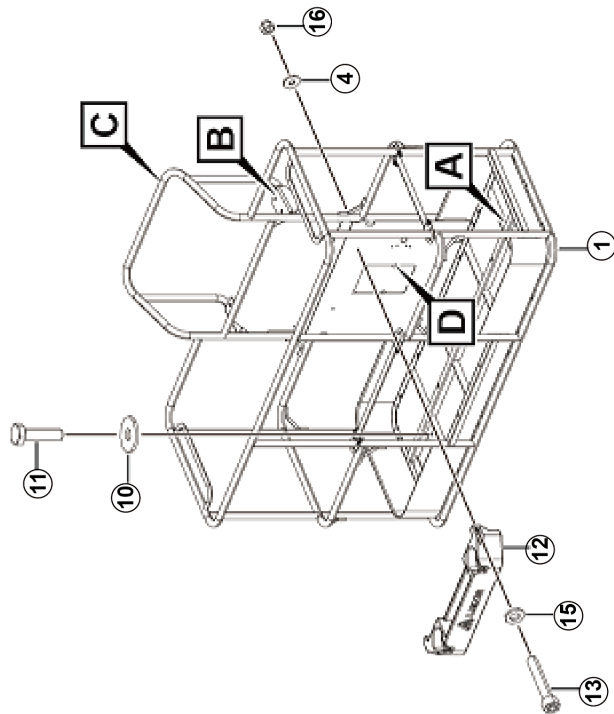
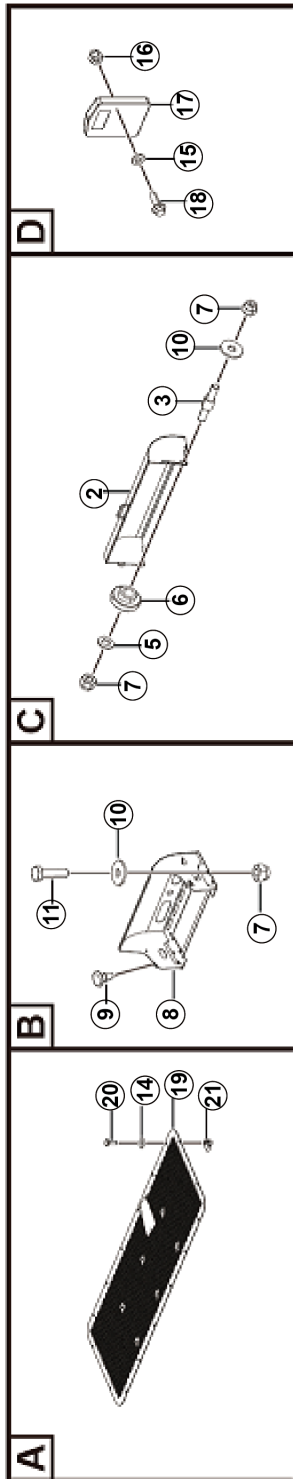
Platform Components

Item	Part No.	Name	Qty.	Remark
1		Hose		For illustration
2		U-bolt		For illustration
3	4013010291	Nut GB6170-M8fZnyc-8-480	8	
4	4015010280	Washer GB97.1-8fZnyc-300HV-480	4	
5	4013010381	Nut GB923-M8fZnyc-8-480	4	
6	25210039561	Lifting rod	1	



F2100-2521006048.S1A

Platform assy delivered assembled



K2100-2521006048.S1A

Item	Part No.	Name	Qty.	Remark
1	25210057572	Platform framework assy	1	
2	25210059731	Arc shield	1	
3	25210057342	Double threaded post	2	
4	4015010296	Washer GB96.1-6flZnyc-300HV-480	4	
5	4015010339	Washer GB97.1-10flZnyc-300HV-480	2	
6	25210057401	Spacer sleeve	2	
7	4013010296	Nut GB889.1-M10flznyc-8	8	
8	25210059653	Protective mount	1	
9	4090100284	Foot pad POF-40022	4	
10	4015010278	Washer GB96.1-10flZnyc-300HV-480	14	
11	4011010727	Bolt GB5783-M10*35flZnyc-8.8-480	8	
12	4190704822	Platform tool box LG21-GJH-01	1	
13	4014010252	Screw GB70.1-M6*35flZnyc-8.8-480	4	
14	4015010289	Washer GB96.1-8flZnyc-300HV-480	22	
15	4015010284	Washer GB97.1-6flZnyc-300HV-480	8	
16	4013010300	Nut GB889.1-M6flznyc-8-480	8	
17	25210000821	File box	1	
18	4011010757	Bolt GB16674-M6*20flznyc-8.8	4	
19	25210057631	Baseplate wldmt	1	
20	4011010711	Bolt GB5783-M8*20flznyc-8.8-480	22	
21	4013010383	Nut QC339-M8flZnyc-8-480	22	

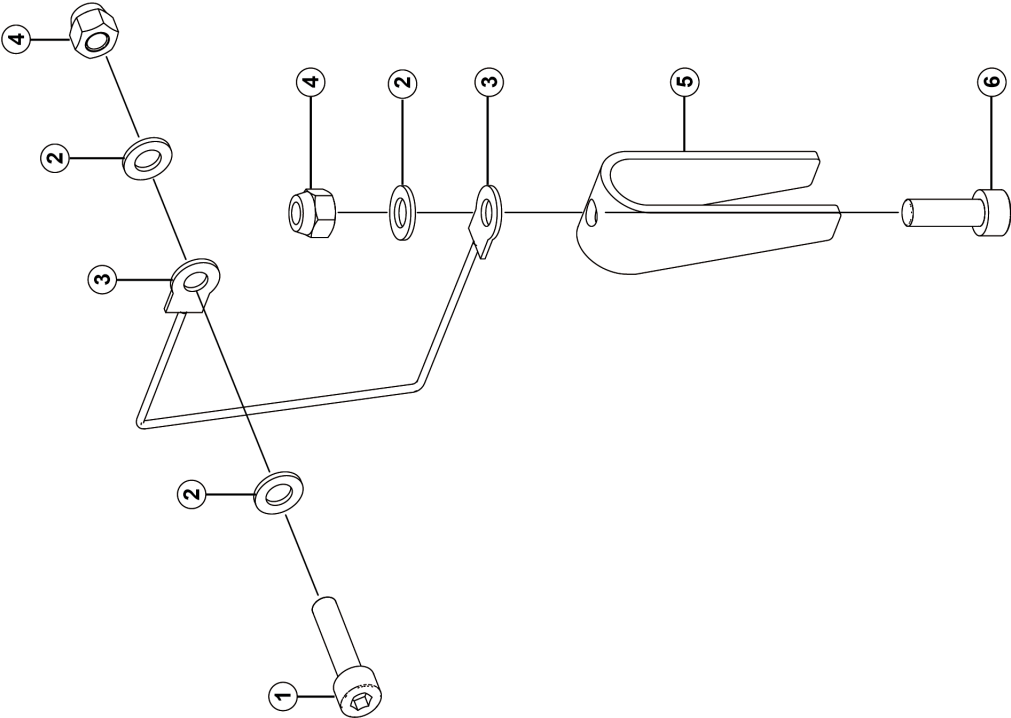
H

**Hydraulic Hose Routing and
Fittings**

H0900-2509000358.S1A-G12

Emergency bracket assy

L0900-2509000358.S1A





Hydraulic Hose Routing and Fittings

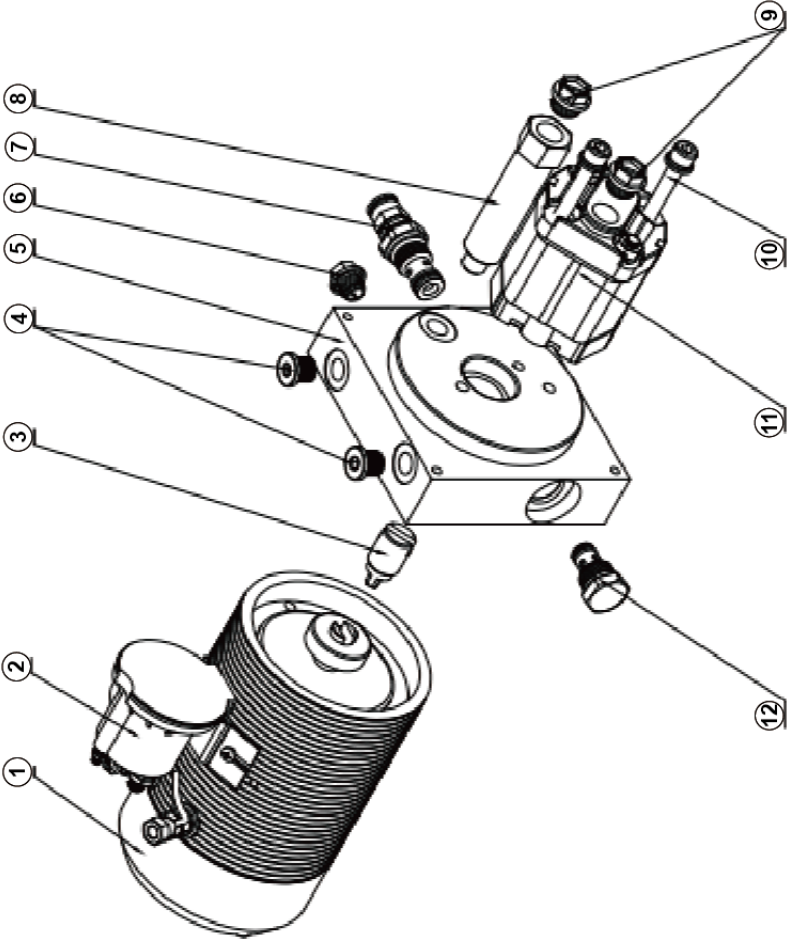
Item	Part No.	Name	Qty.	Remark
1	4014010122	Screw GB70.1-M5*20flZnyc-8.8-480	1	
2	4015010283	Washer GB97.1-5flZnyc-300HV-480	3	
3	25090003571	Chain ϕ 1.5*500 (strip steel)	1	
4	4013010305	Nut GB889.1-M5flznyc-8-480	2	
5	25090003561	Bent plate 50*16*16	1	
6	4014010131	Screw GB70.1-M5*16flznyc-8.8-480	1	



H2502-4120706861

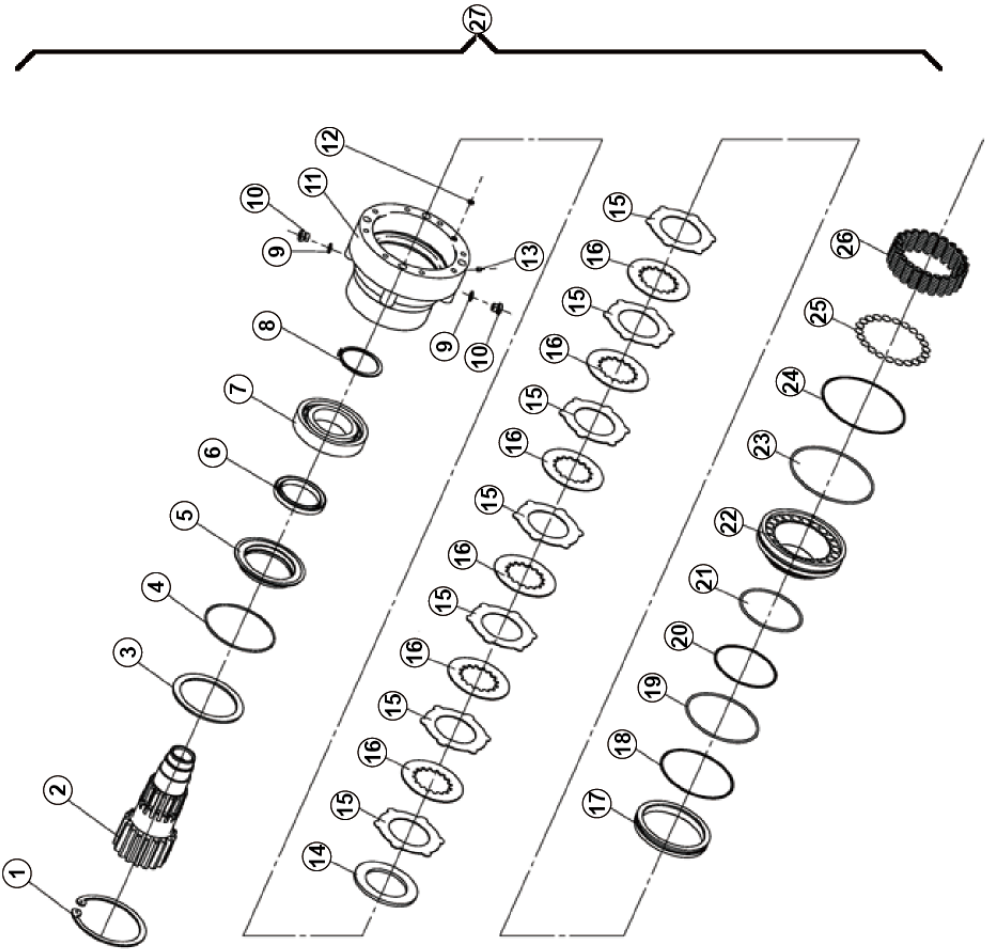
Power unit 24V 220bar

L2502-4120706861



H2500-4120001432089

Swing drive assy brake



L2500-4120001432089

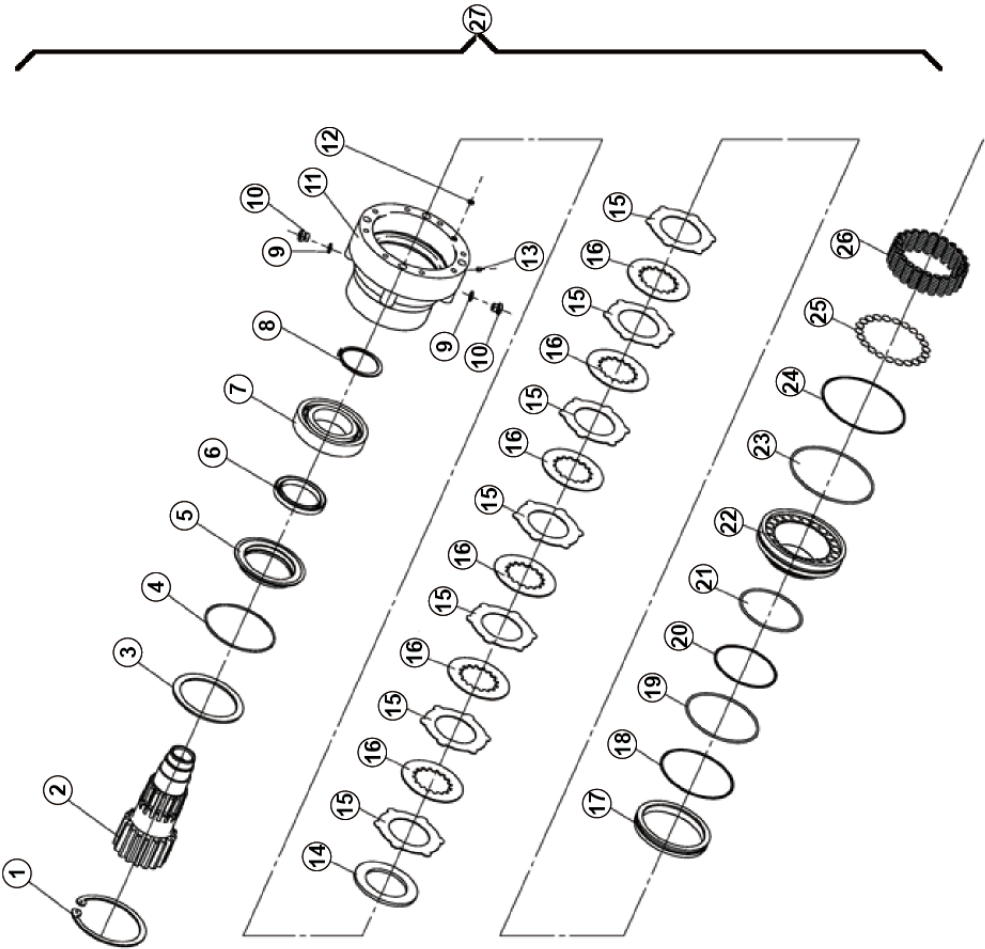


Hydraulic Hose Routing and Fittings

Item	Part No.	Name	Qty.	Remark
1	4120001432058	Snap ring 125	1	
2	4120001432059	Output shaft	1	
3	4120001432060	Shaft seal ring	1	
4	4120001432061	O-ring	1	
5	4120001432062	Shaft seal ring	1	
6	4120001432063	Skeleton oil seal 70*90*10	1	
7	4120001432064	Bearing 6214	1	
8	4120001432065	Snap ring 70	1	
9	4120001432066	Rubber gasket	2	
10	4120001432067	Plug	2	
11	4120001432068	Housing	1	
12	4120001432069	O-ring	1	
13	4120001432070	Plug QD06	1	
14	4120001432071	Brake pad support	1	
15	4120001432072	Steel sheeting	7	
16	4120001432073	Brake pad	6	
17	4120001432074	Sealing ring	1	
18	4120001432075	Bearing ring	1	
19	4120001432076	O-ring	1	
20	4120001432077	Bearing ring	1	
21	4120001432078	O-ring	1	
22	4120001432079	Piston	1	

H2500-4120001432089

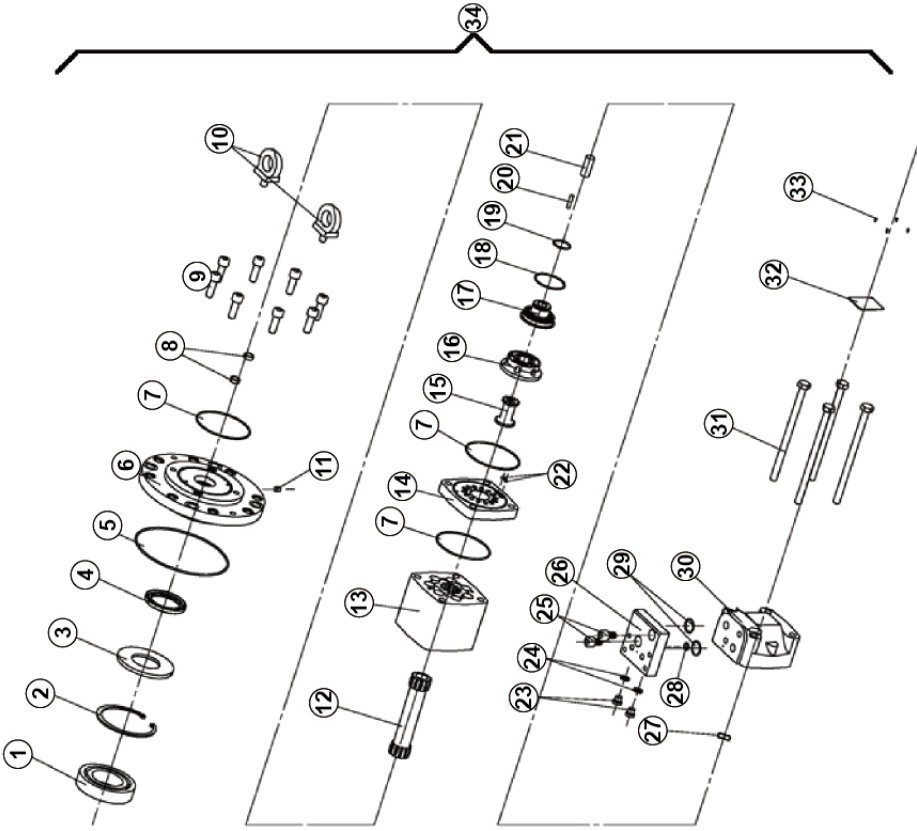
Swing drive assy brake



L2500-4120001432089

H2500-4120001432087

Swing drive assy motor assy

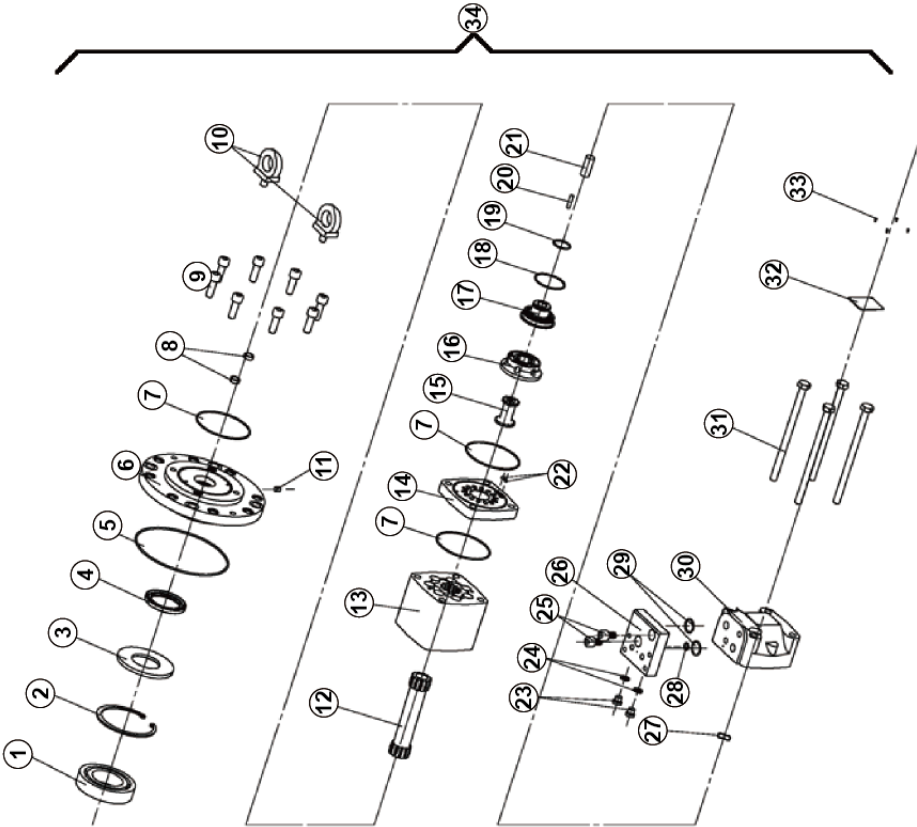


L2500-4120001432087

Item	Part No.	Name	Qty.	Remark
1	4120001432001	Bearing 6210	1	
2	4120001432002	Snap ring 90	1	
3	4120001432003	Bearing guard	1	
4	4120001432004	Shaft seal 45*65*7	1	
5	4120001432005	O-ring	1	
6	4120001432006	Connecting plate	1	
7	4120001432007	O-ring	3	
8	4120001432008	Locating sleeve	2	
9	4120001432009	Screw M10*30	8	
10	4120001432010	Lifting ring bolt M10*15	2	
11	4120001432011	Plug QD07	1	
12	4120001432012	Universal driving shaft	1	
13	4120001432013	Stator and rotor assy	1	
14	4120001432014	Bracket	1	
15	4120001432015	Valve drive element assy BMSY-308	1	
16	4120001432016	Valve plate	1	
17	4120001432017	Distribution pressure plate	1	
18	4120001432018	O-ring	1	
19	4120001432019	O-ring	1	
20	4120001432020	Pin 5*22	1	
21	4120001432021	Limit stud	1	
22	4120001432022	Steel ball φ5	2	

H2500-4120001432087

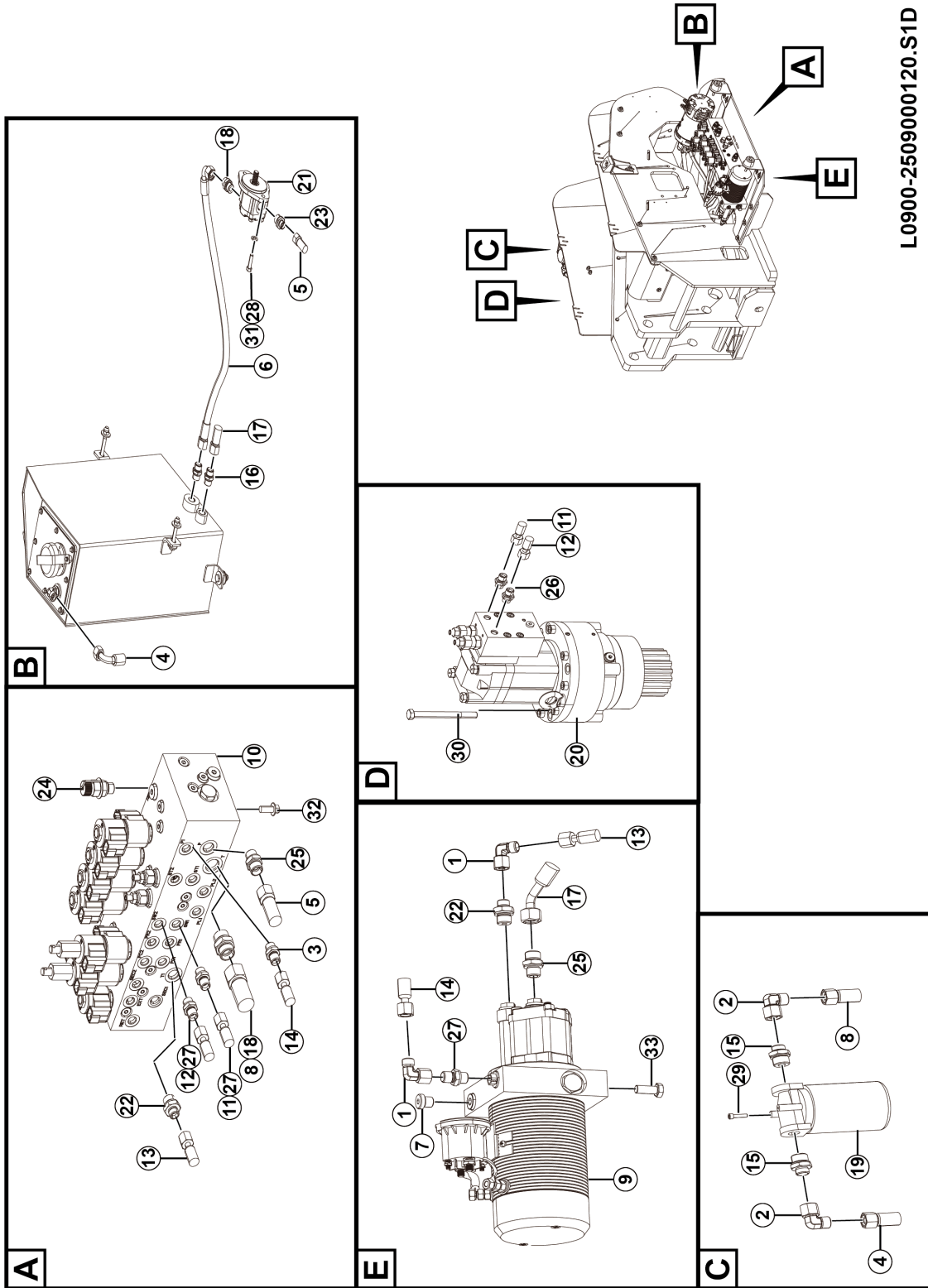
Swing drive assy motor assy



L2500-4120001432087

H0900-2509000120.S1D

Swing hyd assy

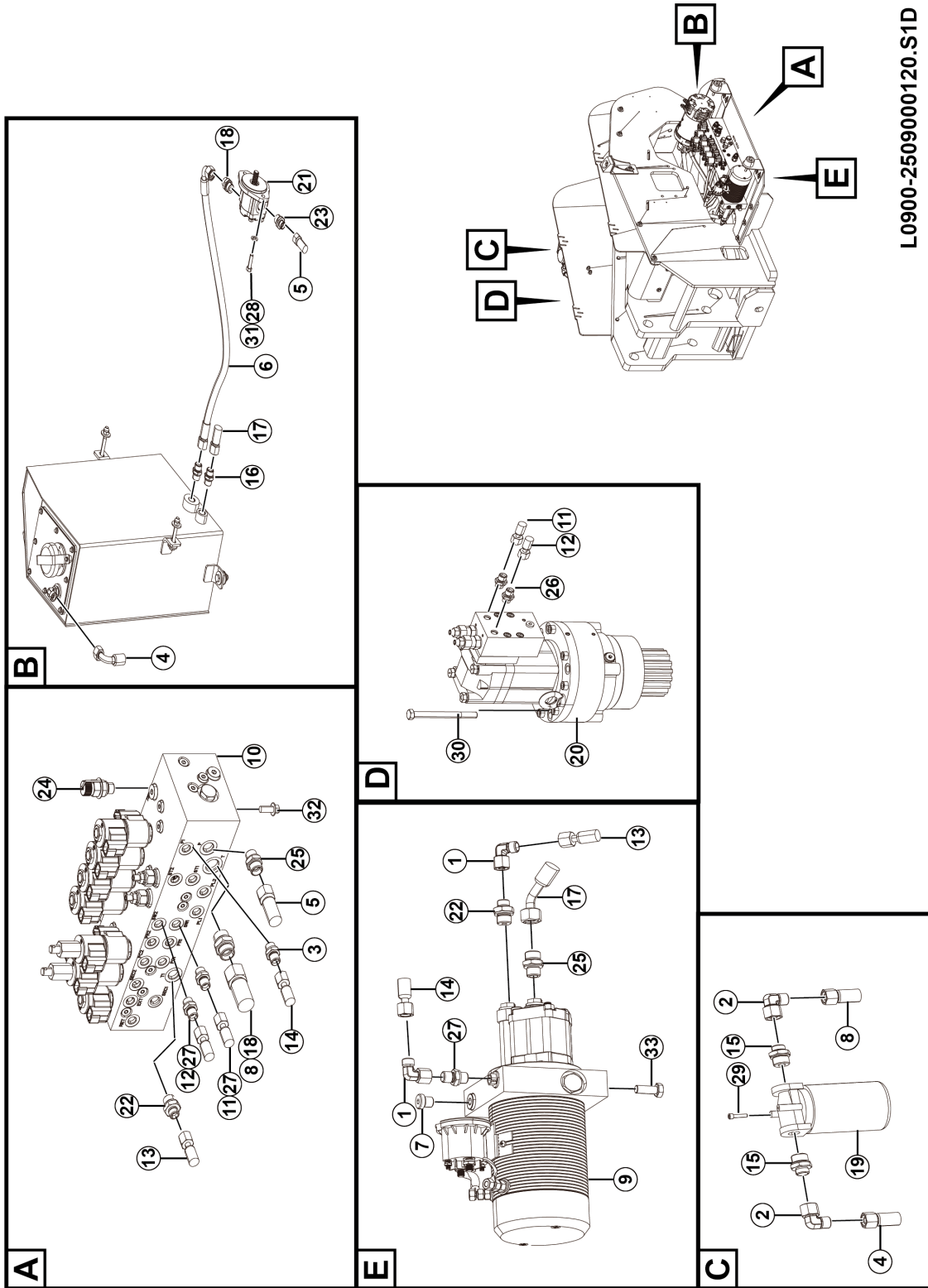


L0900-2509000120.S1D

Item	Part No.	Name	Qty.	Remark
1	4190000698	Joint EW08LOMDA3C	2	
2	4129900308	Joint EW15LOMDA3C	2	
3	4120711056	Filting joint GE08LREDOMDCF 40 mesh	1	
4	4120709531-002	Hose F481CACF (H80) 151508-660	1	
5	4120708612-003	Hose FC402CACA121206-520	1	
6	4120708581-011	Hose F481CACF151508-700	1	
7	4120707000	Plug VSTI 1/4EDCF	1	
8	4120706986-006	Hose FC402CACA151508-1400	1	
9	4120706861	Power unit 24V/220bar	1	
10	4120706642	Boom function manifold ST5161-AE0A	1	
11	4120705552-004	Hose FC402CACA080804-660	1	
12	4120705329-006	Hose FC402CACA080804-600	1	
13	4120705327-006	Hose FC402CACA080804-500	1	
14	4120705178-009	Hose F481CACA080804-450	1	
15	4120704963	Straight joint GE15LR3/4EDOMDCF	2	
16	4120704962	Straight joint GE15LM22*1.5EDOMDCF	2	
17	4120704824-004	Hose FC402CACE151206-1060	1	
18	4120002235	Joint GE15LREDOMDCF	2	
19	4120001675	Oil return filter	1	
20	4120001432	Swing drive assy	1	
21	4120001431	Gear pump 2ABPF03LJ37SB09L-TLT	1	
22	4120001391	Joint GE08LR3/8EDOMDCF	2	

H0900-2509000120.S1D

Swing hyd assy

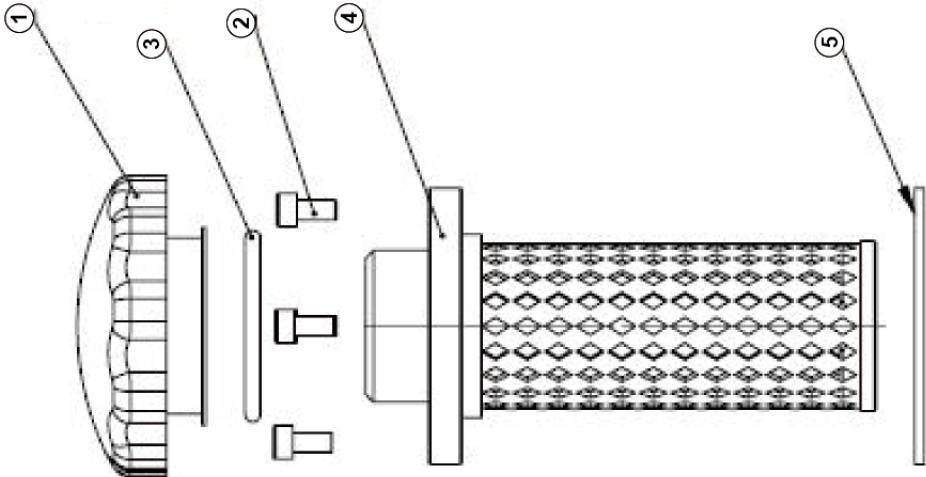


L0900-2509000120.S1D

H2201-4120001427-G2

Air filter EF2-32 (10293)

L2201-4120001427





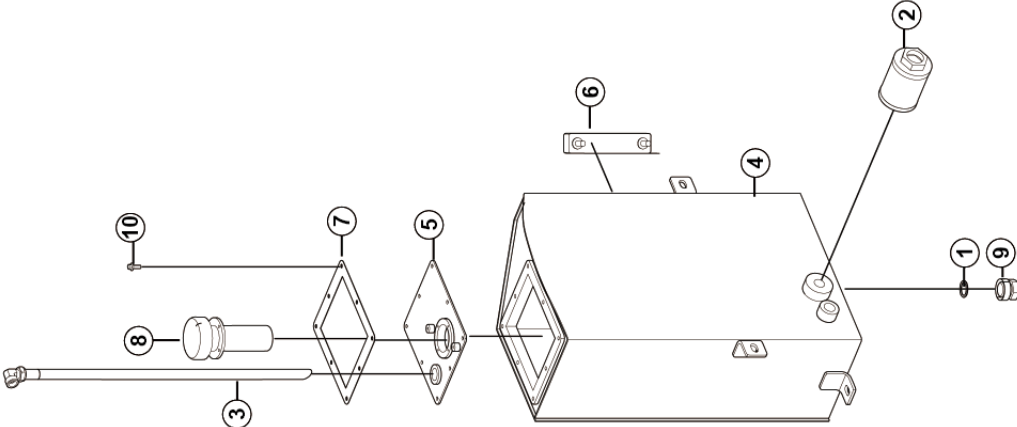
Hydraulic Hose Routing and Fittings

Item	Part No.	Name	Qty.	Remark
1	4120001427001	Cover ST4732-A00AM	1	
2	4120001427002	Screw M4*10	4	
3	4120001427003	Sealing ring 40*3.55	1	
4	4120001427004	Oil filling filtering screen FR08-20F-0-NM3.8	1	
5	4120001427005	Gasket $\Phi 70 \times \Phi 47 \times 2$	1	

H2200-2510000680.S3C-G1

Hyd oil tank delivered assembled

L2200-2510000680.S3C





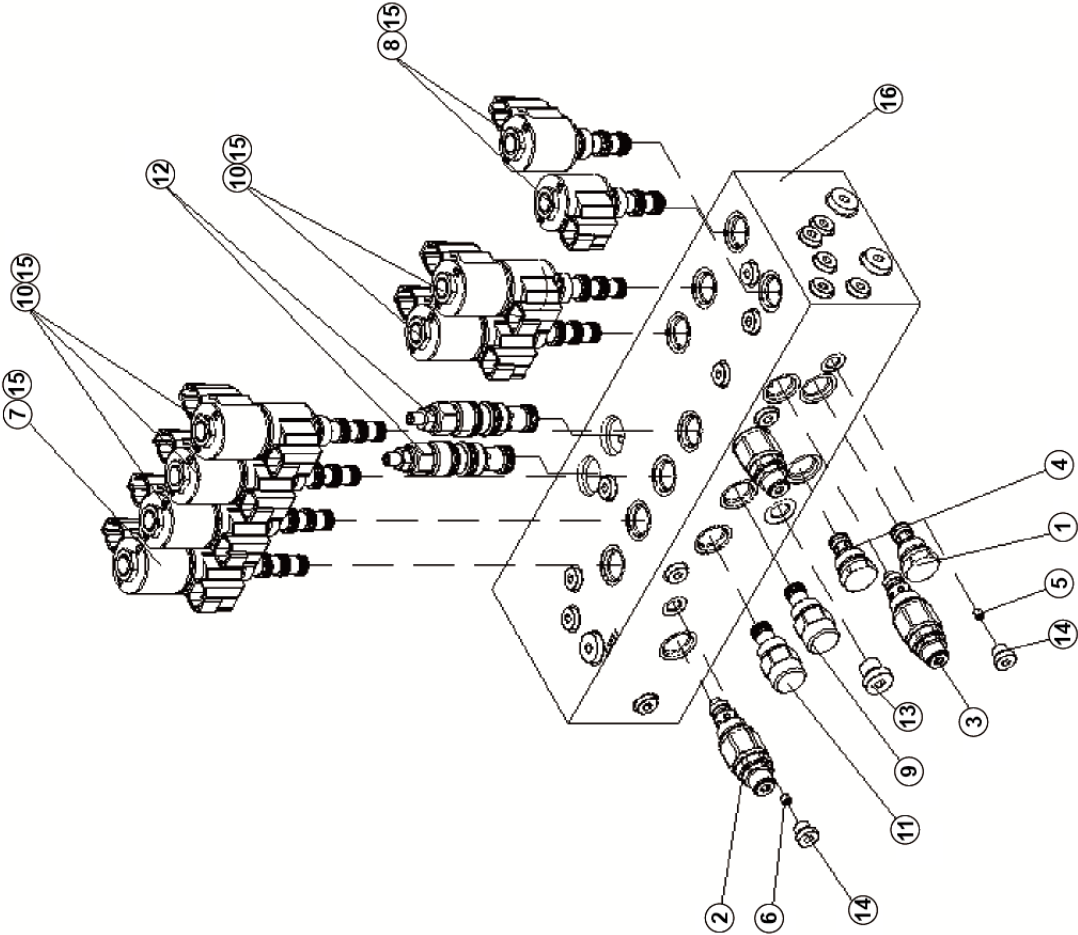
Hydraulic Hose Routing and Fittings

Item	Part No.	Name	Qty.	Remark
1	4041001264	O-ring LGB168-22331	1	
2	4120001424	Oil suction filter WU-63*180-J	1	
3	25100000151	Oil return pipe assy	1	
4	25100000021	Oil tank weldment	1	
5	25100000103	Cover plate welded body	1	
6	4120001778	Liquid level gauge YWZ-127T	1	
7	25100000141	Rubber pad	1	
8	4120001427	Air filter EF2-32	1	
9	4041001057	Plug LGB135-02732	1	
10	4011010735	Bolt GB16674.1-M6*16fIZnyc-8.8-480	8	

H2700-4120706642

Boom function valve manifold ST5161-AE0A

L2700-4120706642



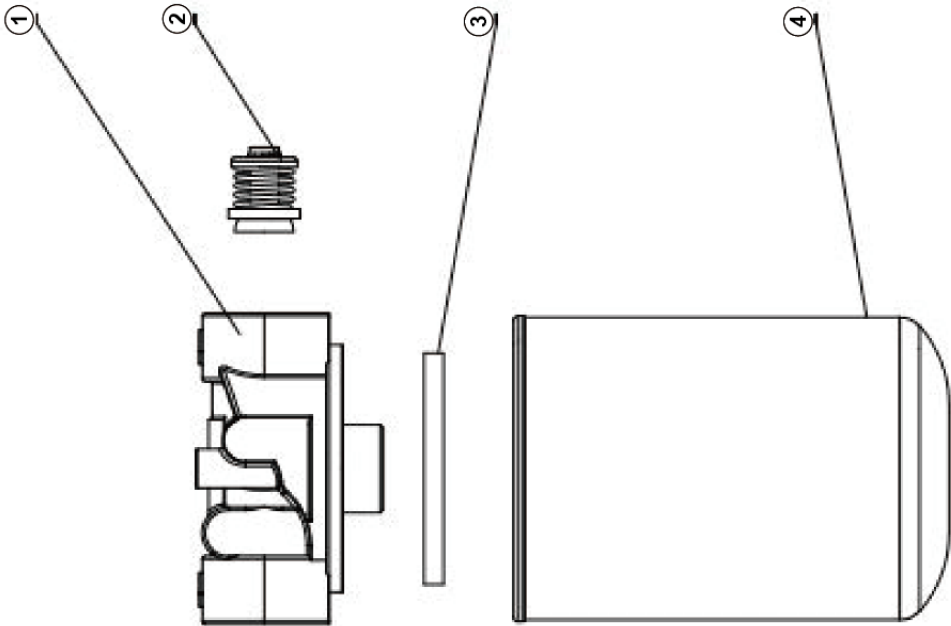


Hydraulic Hose Routing and Fittings

Item	Part No.	Name	Qty.	Remark
1	4120001490007	Check valve 36*22	2	
2	4120001490002	Relief valve STRV08-G-240A	1	
3	4120001901001	Relief valve assy STRV08-B-120A	2	
4	4120705125001	Check valve STCV08-0-004A	1	
5	4120001571005	Orifice plate	1	
6	4120002602003	Check valve STTY002-1.5	1	
7	4120002602004	Solenoid valve SV08-47C-0-N-0	1	
8	4120002602005	Solenoid valve SV08-30-0-N-0	2	
9	4120002602006	Relief valve FR08-20F-0-NM1.5	1	
10	4120002602007	Solenoid valve SV08-47D-0-N-0	5	
11	4120002602008	Flow valve FR08-20F-0-N/M2.3	1	
12	4120002602009	Balancing valve 101*19	2	
13	4190001419	Plug 4BN-04WD	5	
14	4129900116002	Plug 4BN-02WD	26	
15	4120001490011	Solenoid 4303620	14	
16	4120706642001	Manifold block ST5161-A000M	1	

H2500-4120001675

Oil return filter



L2500-4120001675

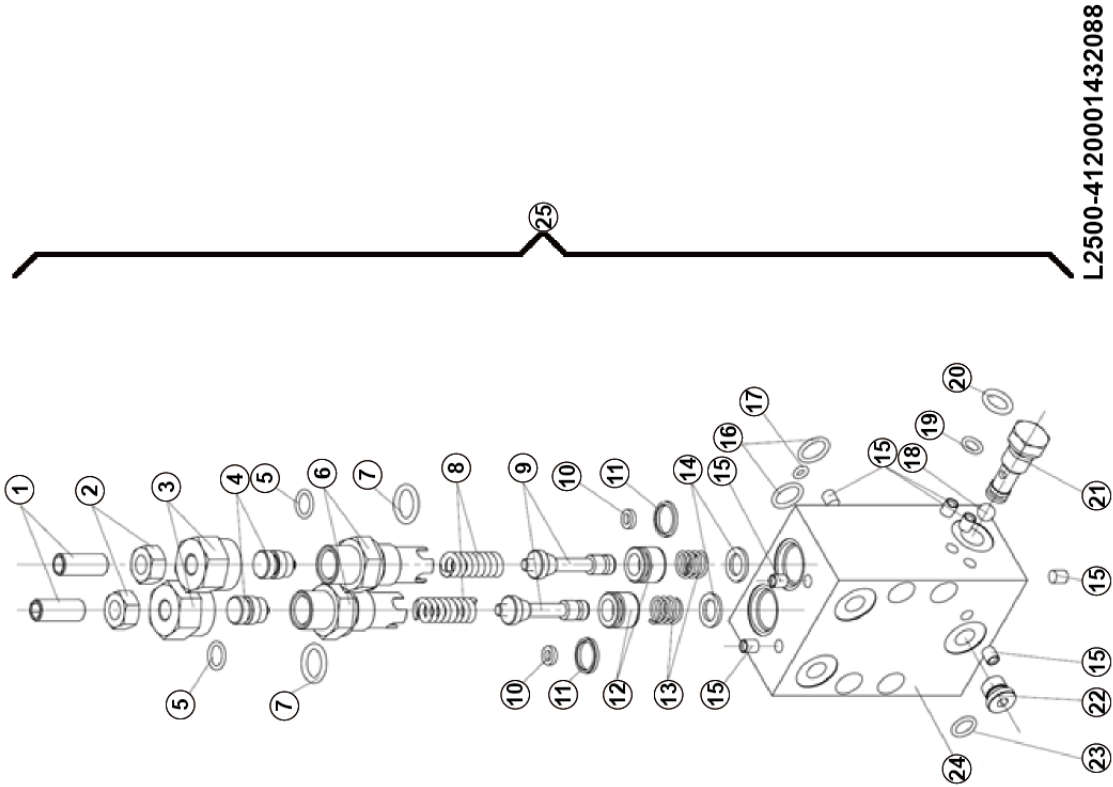


Hydraulic Hose Routing and Fittings

Item	Part No.	Name	Qty.	Remark
1		Filter head		For illustration
2		Bypass valve element assy		For illustration
3	4120001675002	Sealing gasket $\phi 70^* \phi 62^* 7$	1	
4	4120001675001	No longer used	1	

H2500-4120001432088

Swing drive assy balancing valve manifold

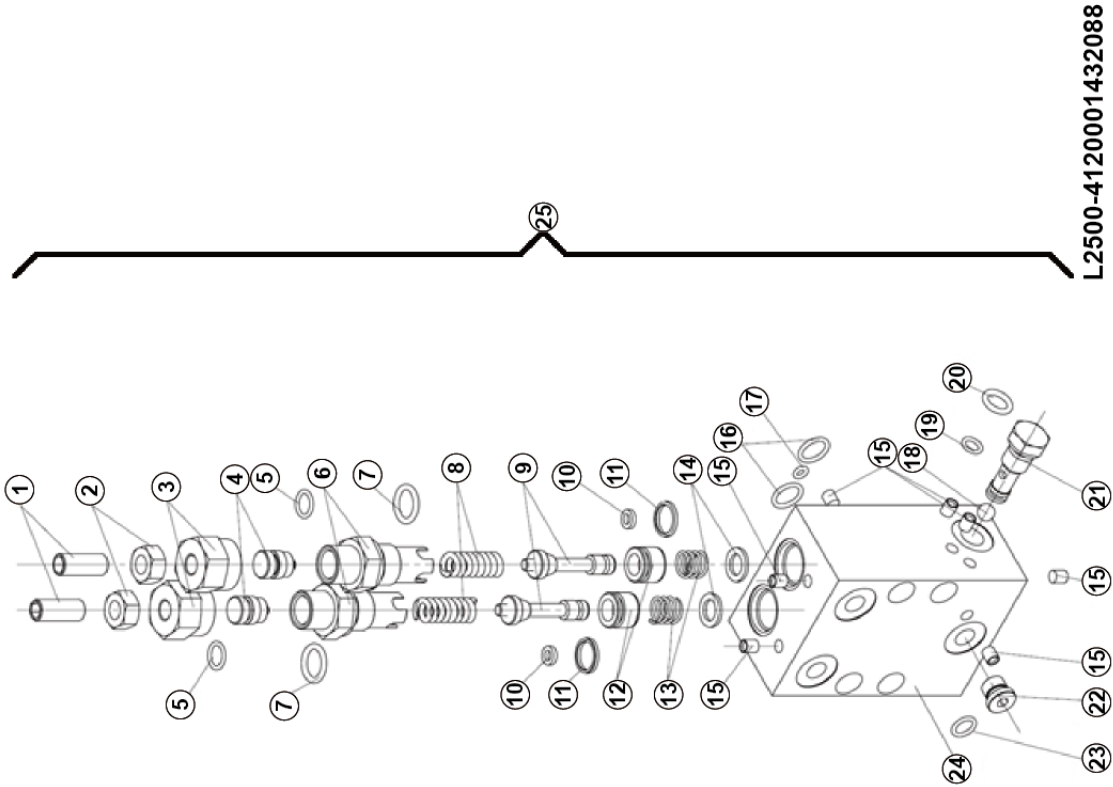


L2500-4120001432088

Item	Part No.	Name	Qty.	Remark
1	4120001432034	Adjusting screw M10	2	
2	4120001432035	Nut M10	2	
3	4120001432036	Adjusting bolt 2	2	
4	4120001432037	Piston	2	
5	4120001432038	O-ring	2	
6	4120001432039	Adjusting bolt 1	2	
7	4120001432040	O-ring	2	
8	4120001432041	Regulating spring	2	
9	4120001432042	Spool	2	
10	4120001432043	Glyd ring 9*5*2	2	
11	4120001432044	Glyd ring 16.5*13.4*2	2	
12	4120001432045	Valve seat	2	
13	4120001432046	Compression spring	2	
14	4120001432047	Washer	2	
15	4120001432048	Spiral plug	7	
16	4120001432049	O-ring	2	
17	4120001432050	O-ring	1	
18	4120001432051	Steel ball $\phi 6$	1	
19	4120001432052	O-ring	1	
20	4120001432053	O-ring	1	
21	4120001432054	Shuttle valve	1	
22	4120001432055	Plug	1	

H2500-4120001432088

Swing drive assy balancing valve manifold

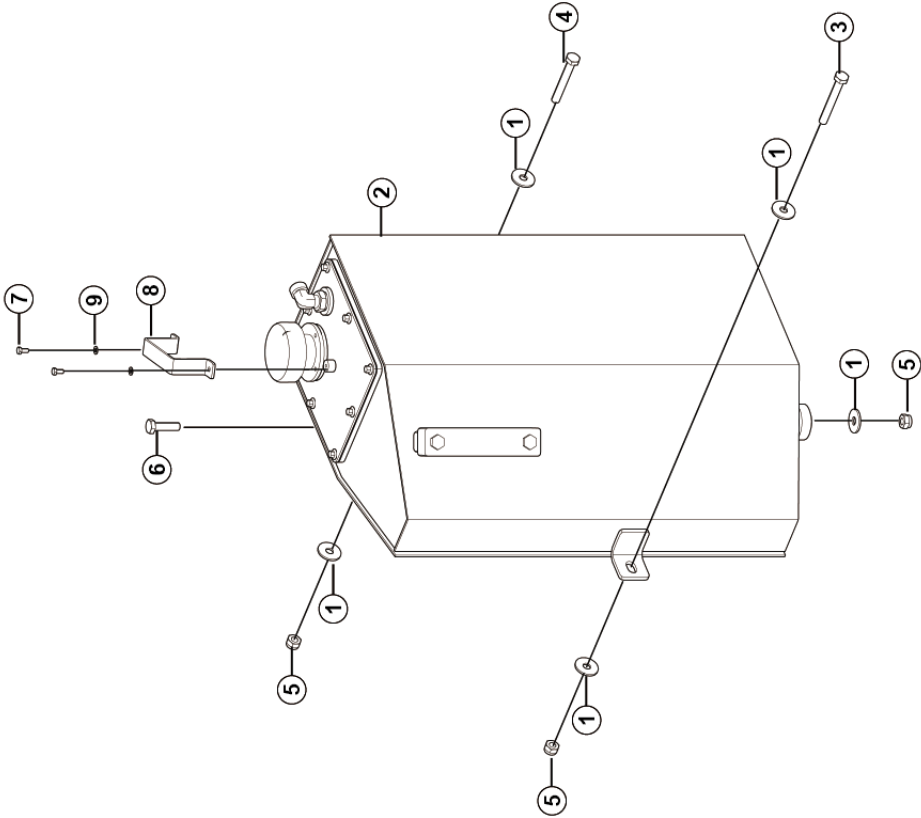


L2500-4120001432088

H2200-251000001.B1E-G1

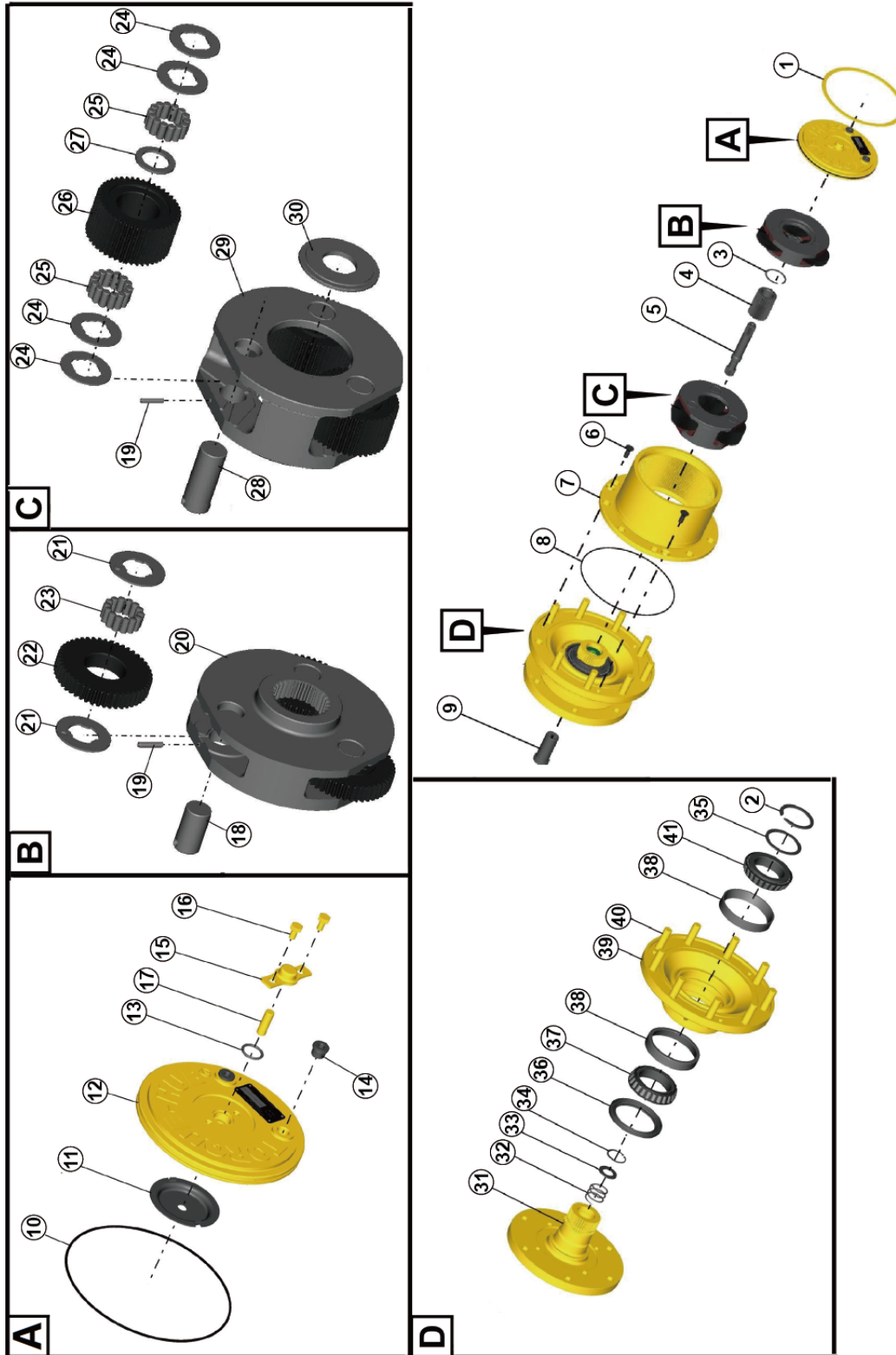
Hyd oil tank assy

L2200-251000001.B1E



H0701-4120703559

Reducer assy 4HB001F0B30064

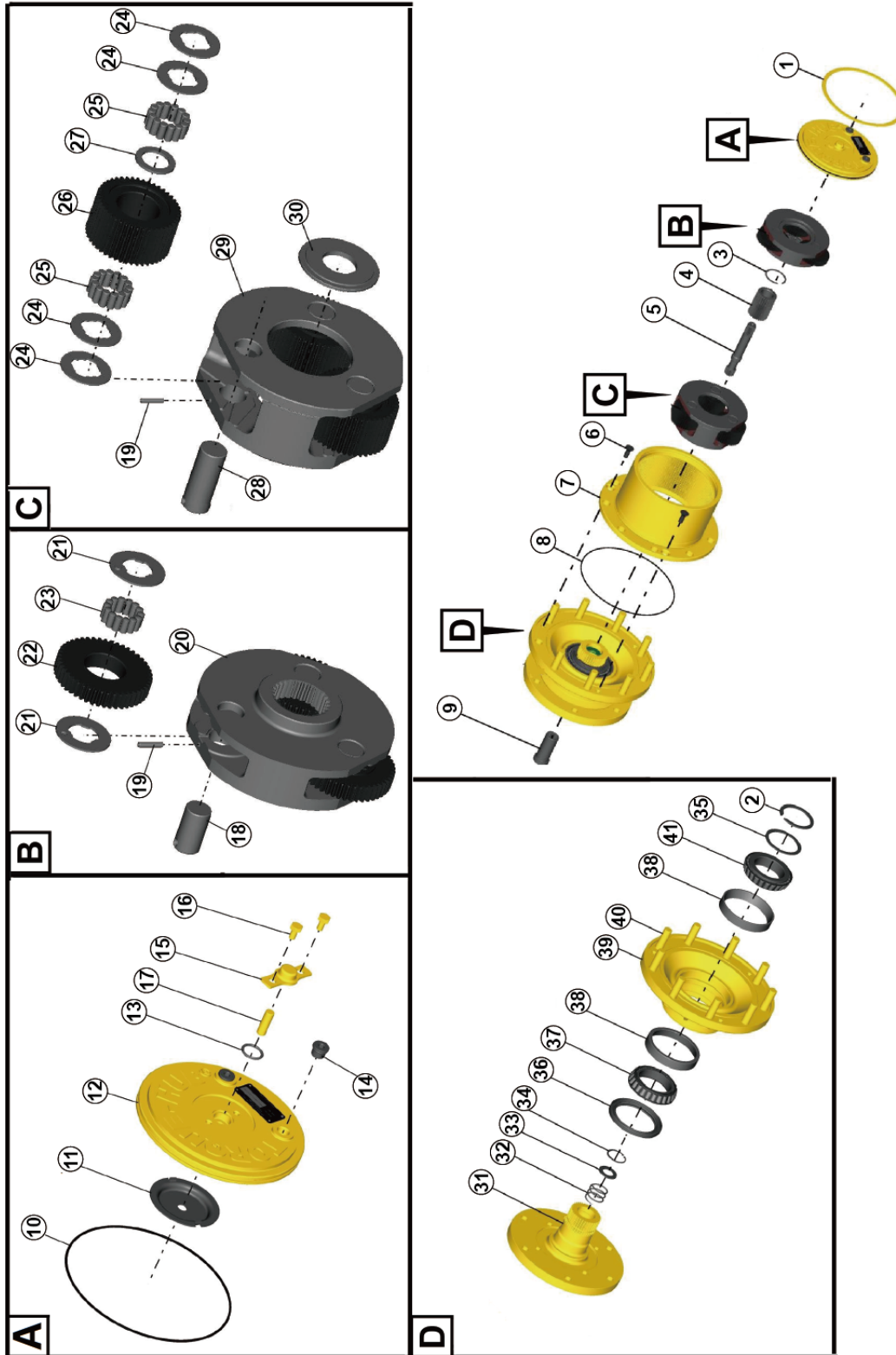


L0701-4120703559

Item	Part No.	Name	Qty.	Remark
1	4120703559005	Snap ring 4HB001F0B30064-6G-9100297	1	
2	4120703559052	Snap ring 4HB001F0B30064-1J-9100227	1	
3	4120703559053	Snap ring 4HB001F0B30064-20-910089	1	
4	4120703559007	Sun gear 4HB001F0B30064-11-D2120006	1	
5	4120703559024	Input shaft 4HB001F0B30064-9-D2100117	1	
6	4120703559009	Bolt 4HB001F0B30064-19-930904	3	
7	4120703559059	Gear ring 4HB001F0B30064-1F-D2500003	1	
8		O-ring 4HB001F0B30064-18-940082		For illustration
9	4120703559028	Joint 4HB001F0B30064-7-D2100209	1	
10		O-ring 4HB001F0B30064-17-940008		For illustration
11	4120703559016	Thrust spacer 4HB001F0B30064-2-960485	1	
12	4120703559010	Cover 4HB001F0B30064-6A-D2500401	1	
13		O-ring 4HB001F0B30064-6E-9400134		For illustration
14	4120703559015	Plug 4HB001F0B30064-6F-951204	2	
15	4120703559011	Disengage cover 4HB001F0B30064-6B-1900414	1	
16	4120703559012	Bolt 4HB001F0B30064-6C-930003	2	
17	4120703559013	Pin 4HB001F0B30064-6D-920150	1	
18	4120703559021	Planetary shaft 4HB001F0B30064-3E-D2210101	3	
19	4120703559004	Pin 4HB001F0B30064-4G-920002	3	
20	4120703559018	Housing 4HB001F0B30064-3A-D2210512	1	
21	4120703559019	Thrust washer 4HB001F0B30064-3B-960441	6	
22	4120703559022	Planetary gear 4HB001F0B30064-3F-D2310001	3	

H0701-4120703559

Reducer assy 4HB001F0B30064



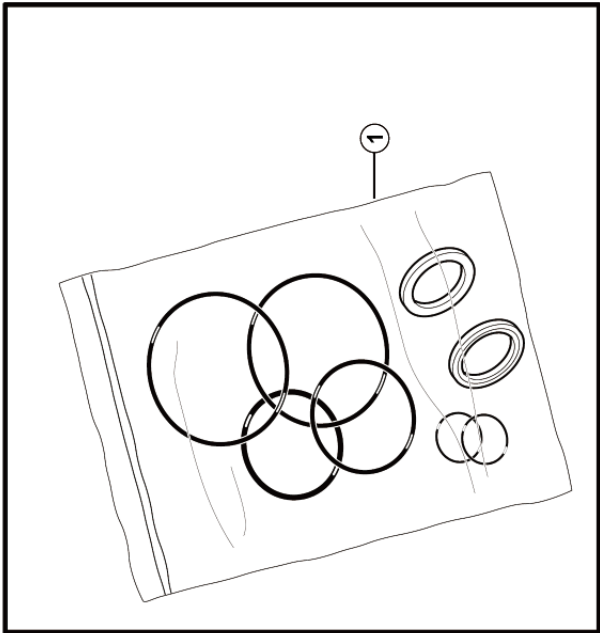
L0701-4120703559

Item	Part No.	Name	Qty.	Remark
23	4120703559020	Needle bearing 4HB001F0B30064-3C-9008431	42	
24	4120703559054	Thrust washer 4HB001F0B30064-4B-960484	12	
25	4120703559055	Needle bearing 4HB001F0B30064-4C-9008435	84	
26	4120703559003	Planetary gear 4HB001F0B30064-4F-D2320003	3	
27	4120703559056	Thrust washer 4HB001F0B30064-4D-901063	3	
28	4120703559002	Planetary shaft 4HB001F0B30064-4E-D2220101	3	
29	4120703559057	Housing 4HB001F0B30064-4A-D2220507	1	
30	4120703559051	Thrust gasket 4HB001F0B30064-4H-960499	1	
31	4120703559029	Steering knuckle 4HB001F0B30064-1A-D2400706	1	
32	4120703559026	Spring 4HB001F0B30064-1L-901532	1	
33	4120703559027	Thrust washer 4HB001F0B30064-1M-960445	1	
34	4120703559025	Snap ring 4HB001F0B30064-1K-9100197	1	
35	4120703559058	Thrust washer 4HB001F0B30064-1N-901045	1	
36		Sealing ring 4HB001F0B30064-1B-9013120-9013120		For illustration
37	4120703559060	Tapered bearing inner race 4HB001F0B30064-1E-9008338	1	
38	4120703559061	Tapered bearing cup 4HB001F0B30064-1D-9008333	2	
39	4120703559062	Housing 4HB001F0B30064-1G-D2500602	1	
40	4120703559048	Stud 4HB001F0B30064-1H	9	
41	4120703559044	Bearing 4HB001F0B30064-1C (9008332)	1	

H2301-4120704841

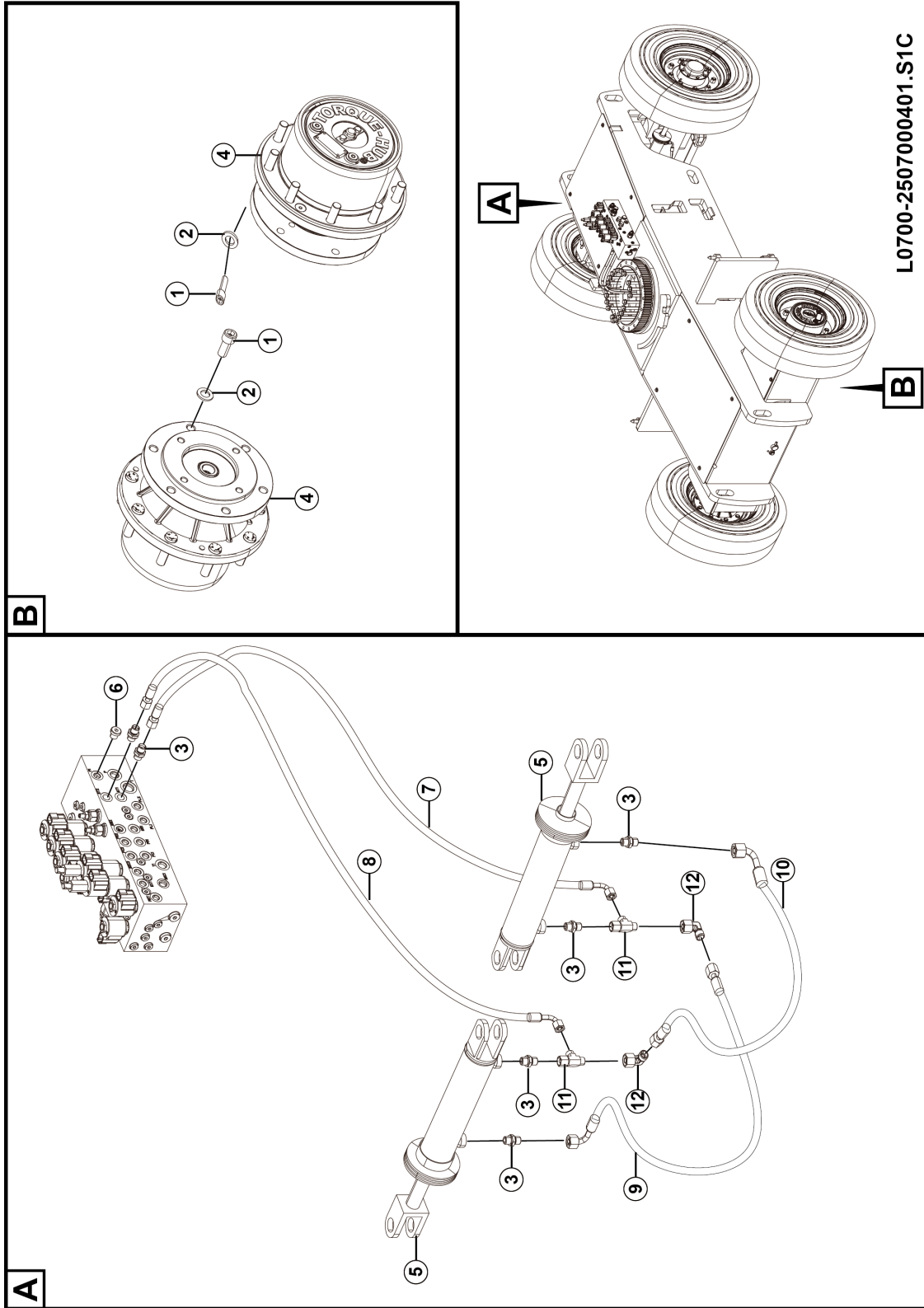
Steering hyd cyl assy (10570)

L2301-4120704841



H0700-2507000401.S1C

Traveling hyd assy



L0700-2507000401.S1C

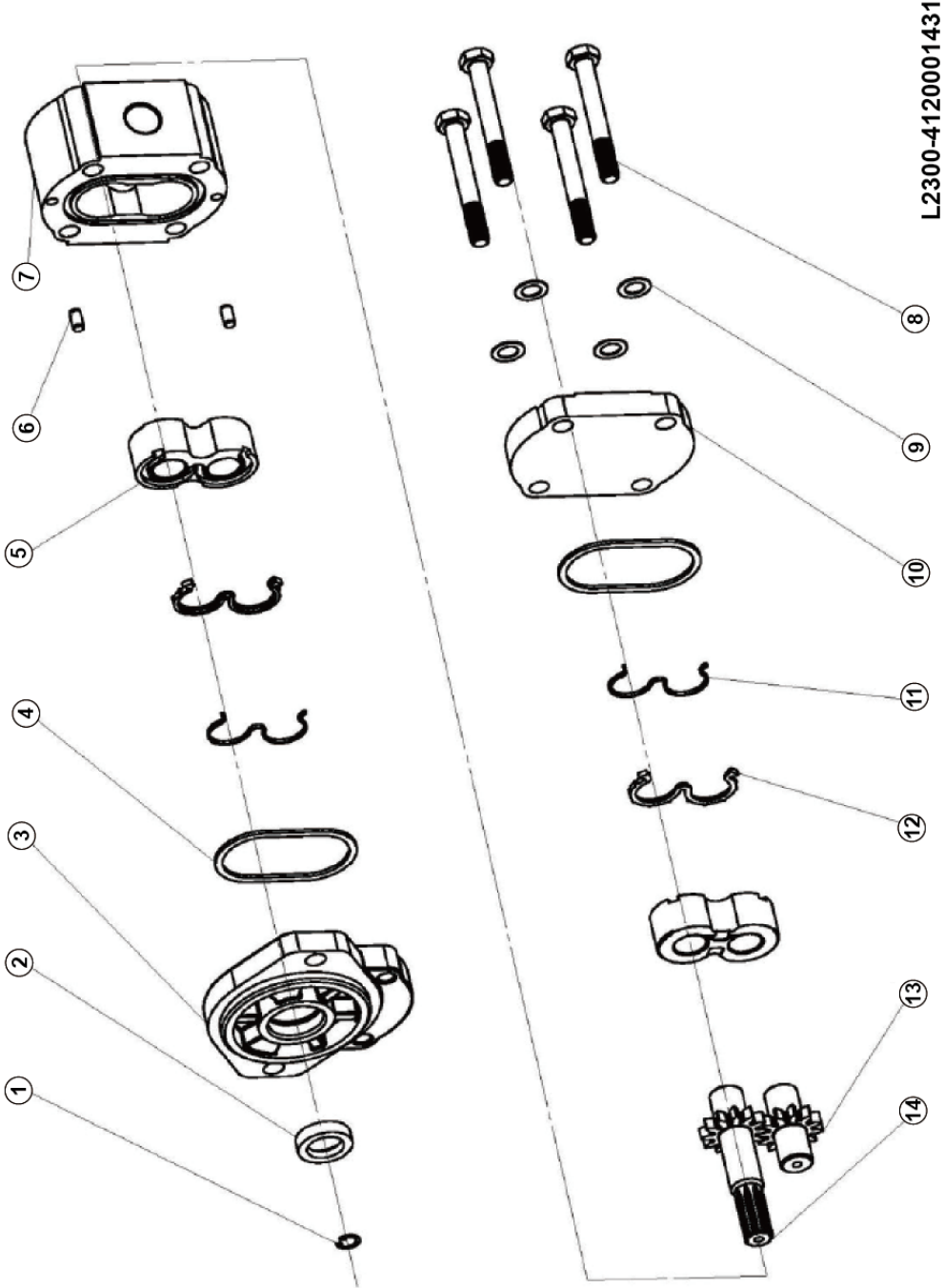


Hydraulic Hose Routing and Fittings

Item	Part No.	Name	Qty.	Remark
1	4014010682	Screw 5/8-11UNF-2B*38flZnyc-10.9-480	12	
2	4015010287	Washer GB97.1-16flZnyc-300HV-480	12	
3	4120001170	Joint GE08LREDOMDCF	6	
4	4120703559	Reducer assy 4HB001F0B30064	2	
5	4120704841	Steering hyd cyl	2	
6	4120707000	Plug VSTI 1/4EDCF	1	
7	4120711131	Hose FC402CACF080804-2030	1	
8	4120711131-001	Hose FC402CACF080804-2030	1	
9	4120711132-001	Hose FC402CACF080804-565-PG565	1	
10	4120711132	Hose FC402CACF080804-565-PG565	1	
11	4190000208	Tee EL08LOMDA3C	2	
12	4190000698	Joint EW08LOMDA3C	2	

H2300-4120001431

Gear pump assy



L2300-4120001431

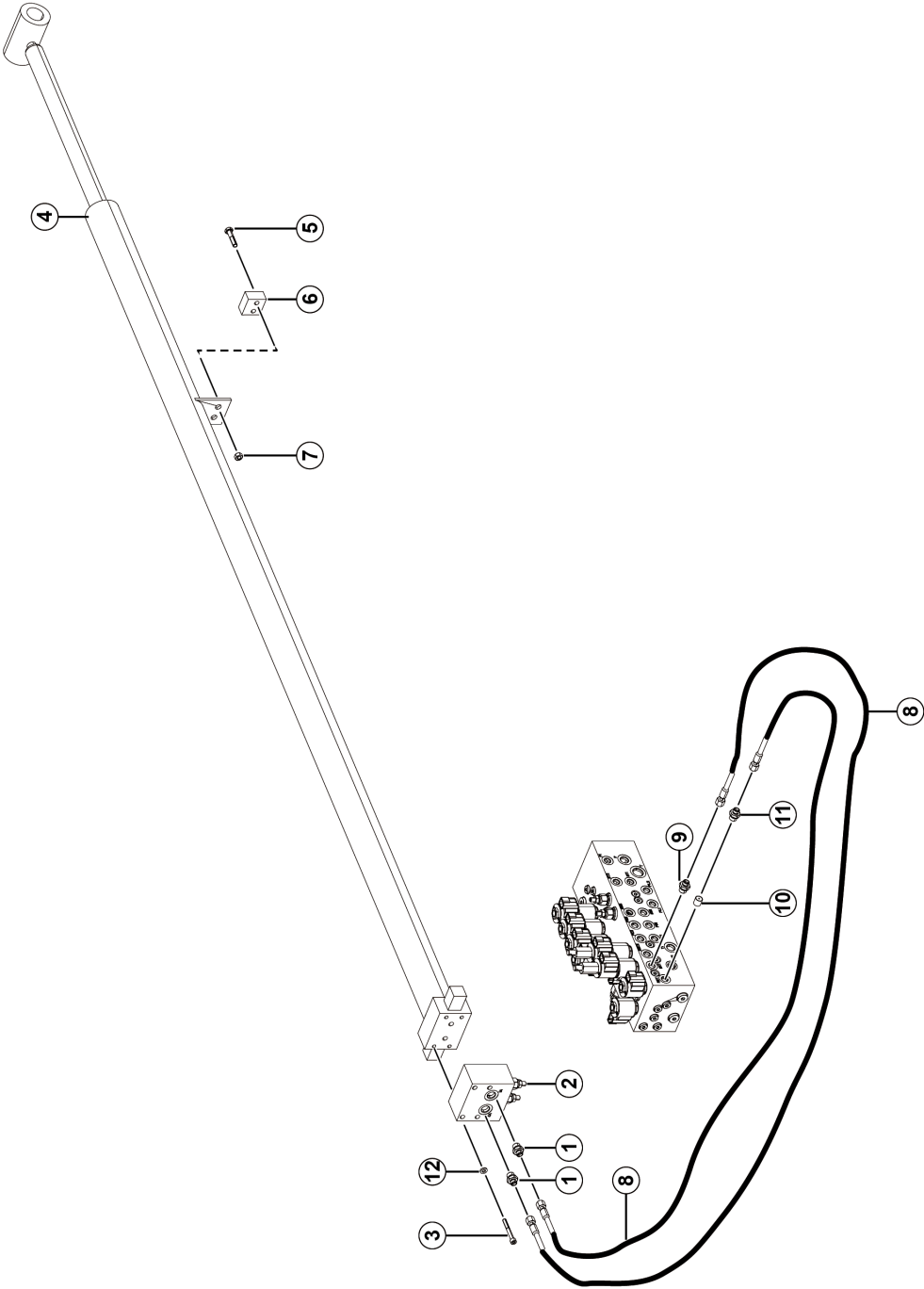


Hydraulic Hose Routing and Fittings

Item	Part No.	Name	Qty.	Remark
1	4120001431005	Snap ring P03700013	1	
2	4120001431002	Oil seal P01200050	1	
3	4120001431006	Front cover A012010236	1	
4	4120001431003	Outer seal ring P01010072	2	
5	4120001431007	Shaft sleeve assy A012460054	2	
6	4120001431008	Fixing pin P03420002	2	
7	4120001431009	Pump body A012120032	1	
8	4120001431010	Bolt P03010280	4	
9	4120001431011	Washer P03610012	4	
10	4120001431012	Rear cover A012020115	1	
11	4120001431004	E-shaped snap ring P01100025CBT-F2508-06B	2	
12	4120001431013	E-shaped sealing ring P01020077NCB-10A	2	
13	4120001431014	Driven gear A012300220	1	
14	4120001431015	Drive gear A012203651	1	

H0800-2508000038.S1B

Telescopic boom ext/ret hyd assy



L0800-2508000038.S1B



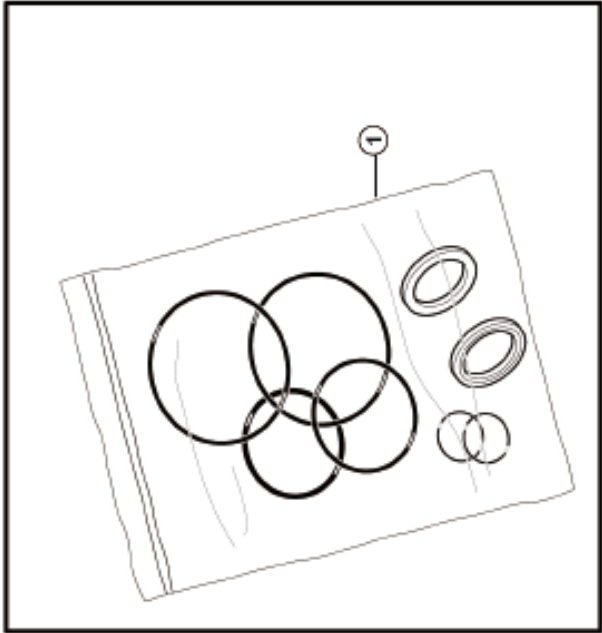
Hydraulic Hose Routing and Fittings

Item	Part No.	Name	Qty.	Remark
1	4120001391	Joint GE08LR3/8EDOMDCF	2	
2	4120705132	Telescopic balancing valve ST4921	1	
3	4014010231	Bolt GB5782-M8*65flZnyc-12.9-480	4	
4	4120703561	Telescopic booms ext/ret hyd cyl	1	
5	4011011053	Bolt GB5782-M10*45flZnyc-8.8-480	2	
6		Telescopic hyd cylinder support slider		For illustration
7	4013010289	Nut GB6170-M10flZnyc-8-480	2	
8	4120706202	Hose FC402CACA08084-9215	2	
9	4120001170	Joint GE08LREDDOMDCF	1	
10	4120703112	Orifice plate 1.0-M6	1	
11	25120000141	Straight joint	1	
12	25080002882	Hard gasket M8	4	

H2401-4120704842

Boom lift hyd cyl assy 10570

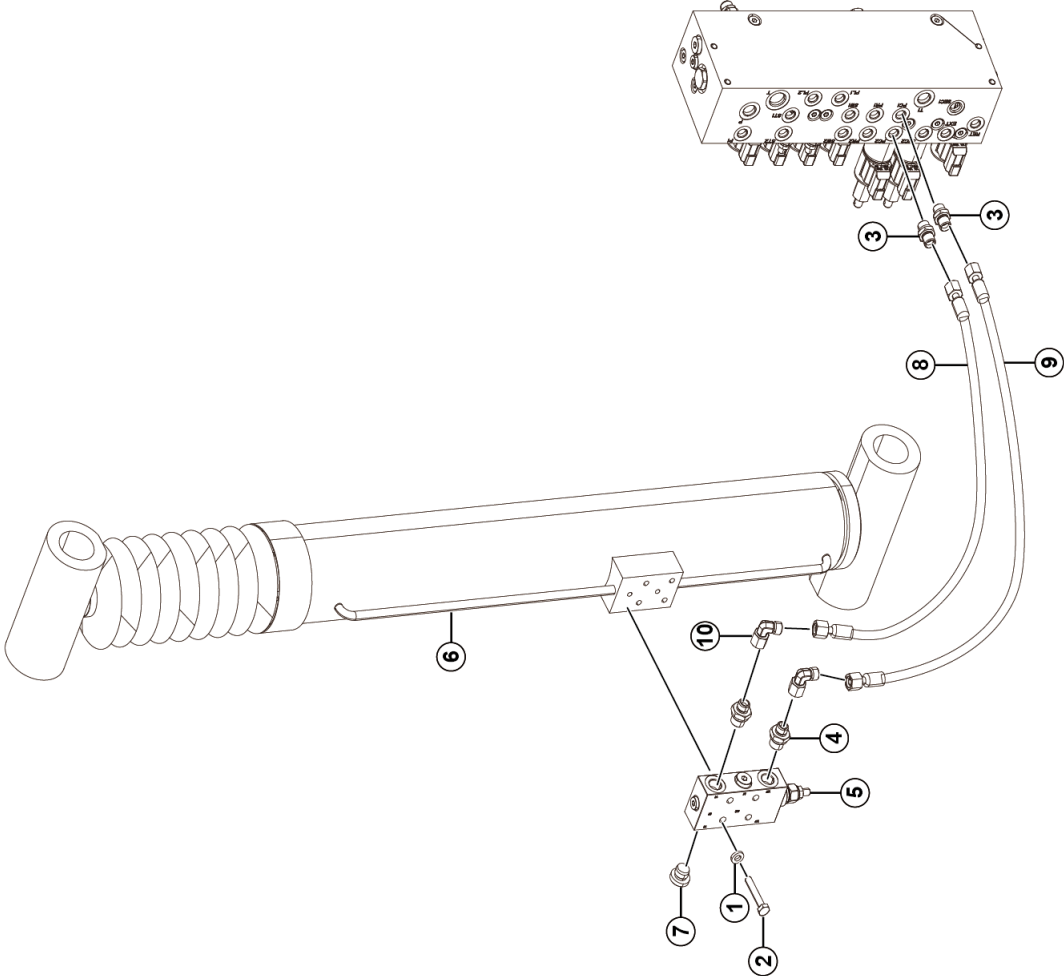
L2401-4120704842



H0800-2508000037.S1C-G1

Telescopic boom lift hyd assy

L0800-2508000037.S1C



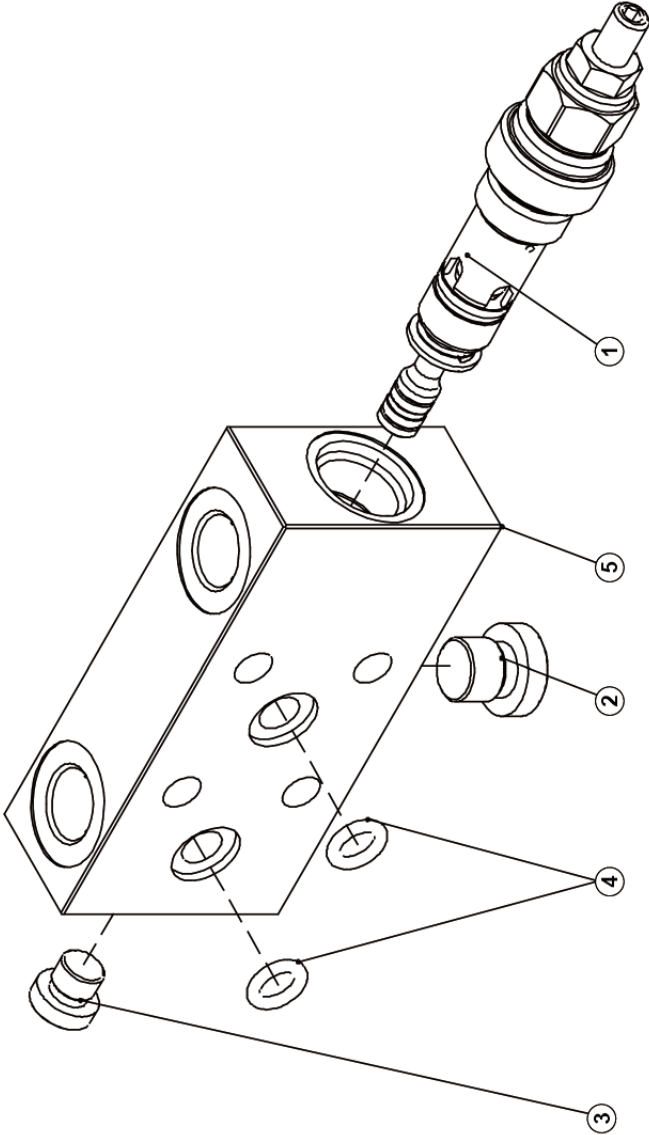


Hydraulic Hose Routing and Fittings

Item	Part No.	Name	Qty.	Remark
1	25080002882	Hard gasket M8	4	
2	4011010938	Bolt GB5783-M8*45flZnyc-12.9-480	4	
3	4120001170	Joint GE08LREDOMDCF	2	
4	4120001391	Joint GE08LR3/8EDOMDCF	2	
5	4120703873	Lift balancing valve	1	
6	4120704842	Primary boom lift hyd cyl	1	
7	4120704862	Plug VSTI3/8ED	2	
8	4120706203-001	Hose FC402CACA080804-9520	1	
9	4120706203-002	Hose FC402CACA080804-9520	1	
10	4190000698	Joint EW08LOMDA3C	2	

H2400-4120703873

Lift counterbalance valve STA0612R4G38C00

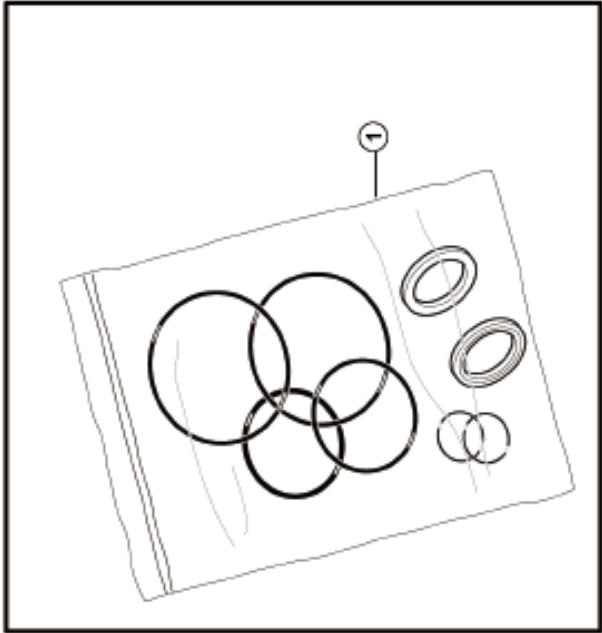


L2400-4120703873

H2401-4120001536

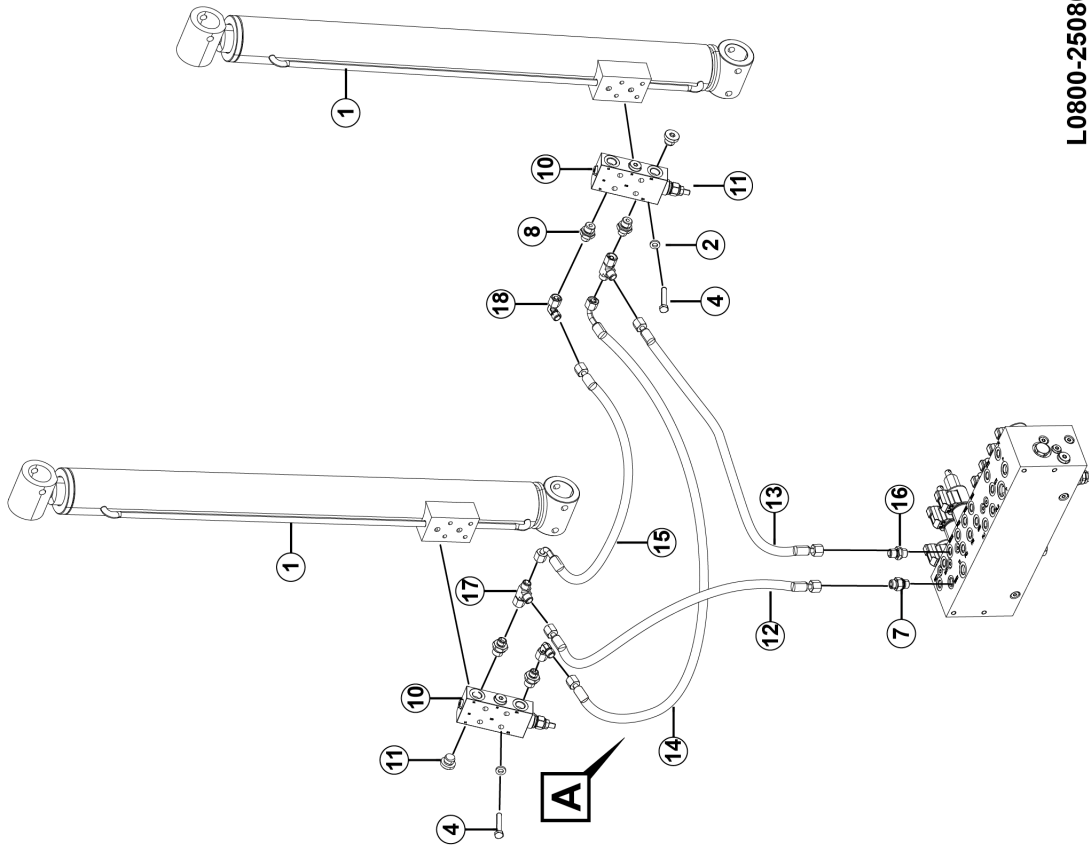
Secondary boom lift hyd cyl assy (10570)

L2401-4120001536

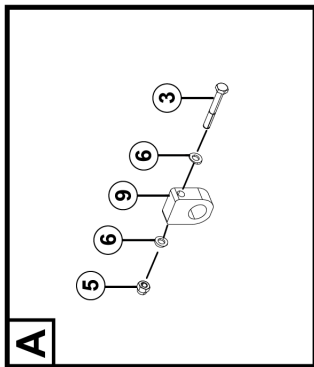


H0800-2508000040.S1C-G1

Secondary boom lift hyd assy



L0800-2508000040.S1C



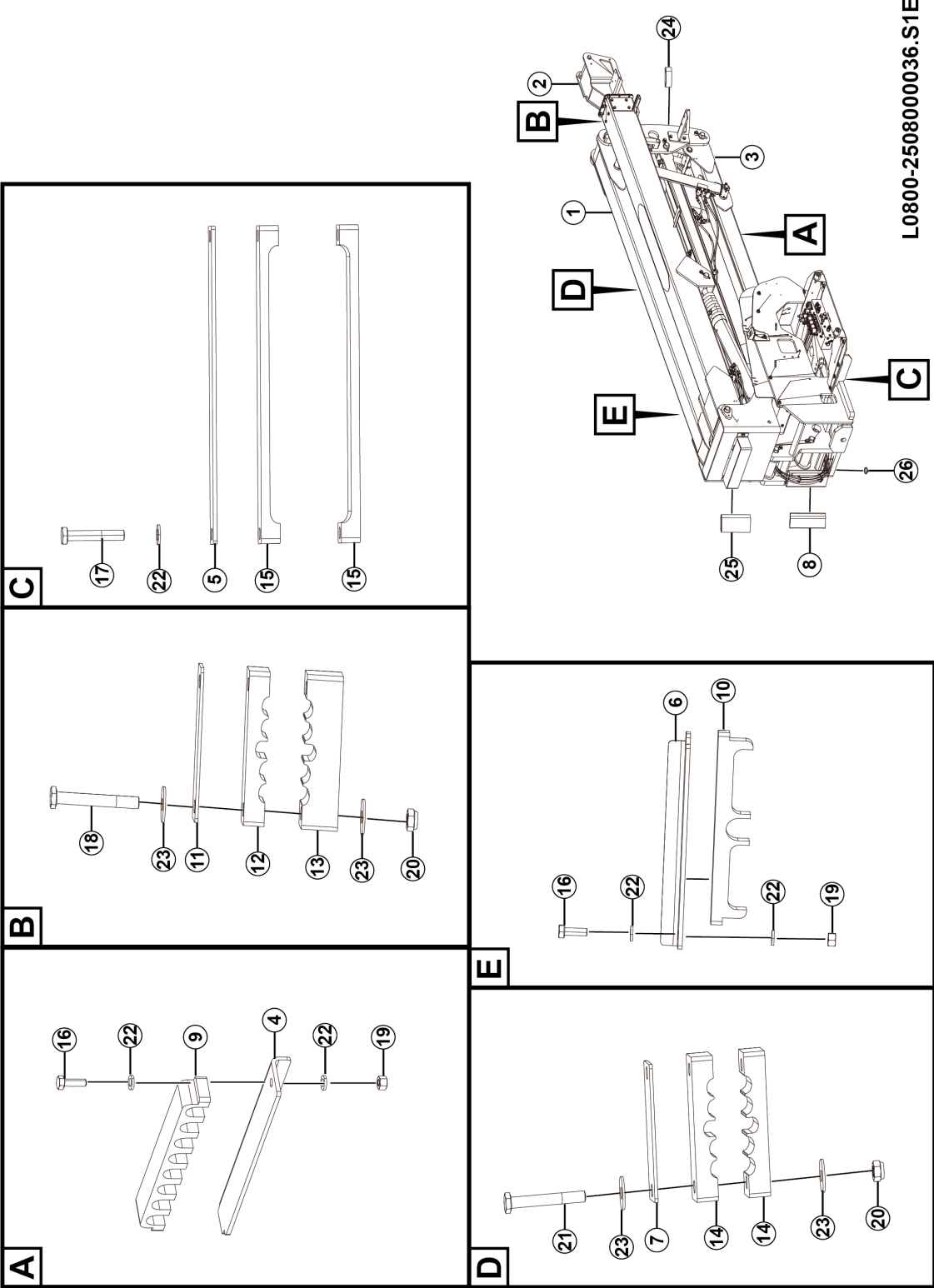


Hydraulic Hose Routing and Fittings

Item	Part No.	Name	Qty.	Remark
1	4120001536	Lift hyd cyl	2	
2	25080002882	Hard gasket M8	8	
3		Bolt GB5782-M6*45flZnyc-8.8-480		For illustration
4	4011010938	Bolt GB5783-M8*45flZnyc-12.9-480	8	
5	4013010300	Nut GB889.1-M6flznyc-8-480	2	
6	4015010284	Washer GB97.1-6flZnyc-300HV-480	4	
7	4120001170	Joint GE08LREDDOMDCF	1	
8	4120001391	Joint GE08LR3/8EDOMDCF	4	
9	4120702926	Pipe clamp SXB*3-417.2-417.2	2	
10	4120703873	Lift balancing valve	2	
11	4120704862	Plug VSTI3/8ED	4	
12	4120706204-001	Hose FC402CACA080804-4670	1	
13	4120706204-002	Hose FC402CACA080804-4670	1	
14	4120706371-005	Hose FC402CACF080804-395	1	
15	4120706371-006	Hose FC402CACF080804-395	1	
16	4120708989	Joint GEO8LM14*1.5OMDCF	1	
17	4190000208	Tee EL08LOMDA3C	2	
18	4190000698	Joint EW08LOMDA3C	2	

H0800-2508000036.S1E-G1

Lift hyd assy

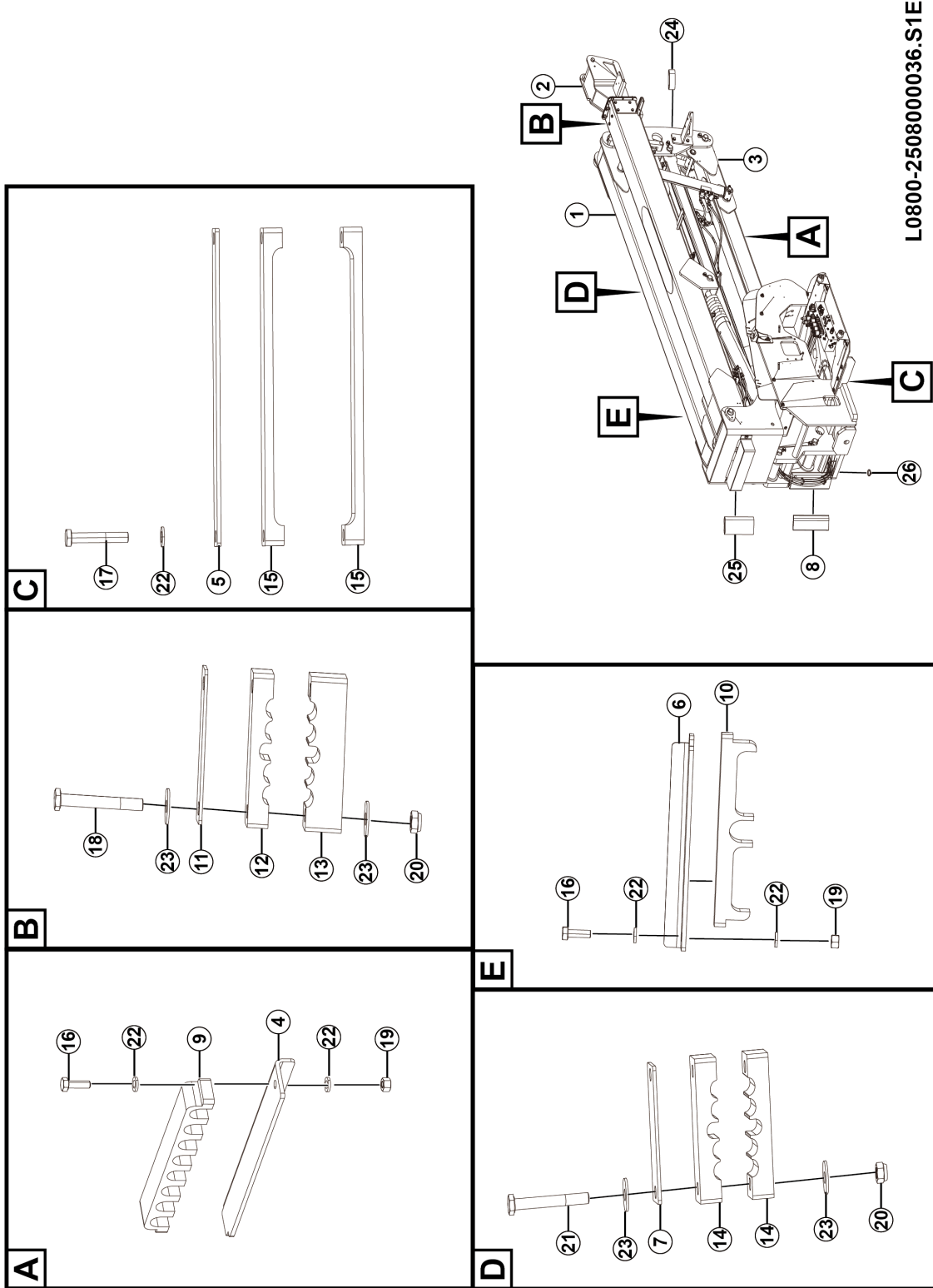


L0800-2508000036.S1E

Item	Part No.	Name	Qty.	Remark
1		Main boom luffing hyd assy		For illustration
2		Main boom telescopic hyd assy		For illustration
3		Arm luffing hyd assy		For illustration
4		Telescopic boom upr clamp platen		For illustration
5	25080000911	Platen	1	
6	25080000931	Plate	3	
7	25080000952	Drag chain outlet clamp platen	1	
8	25080001491	Canvas	2	
9	25080006171	Telescopic boom upr clamp	3	
10	25080006601	Clamp	3	
11	25080007612	Drag chain outlet clamp platen 1	1	
12	25080009231	Drag chain clamp 1	1	
13	25080009241	Drag chain clamp 2	1	
14	25080009431	Drag chain clamp 3	2	
15	25080010511	Clamp	2	
16	4011010747	Bolt GB5783-M6*16flZnyc-8.8-480	6	
17		Bolt GB5782-M6*45flZnyc-8.8-480		For illustration
18	4011011039	Bolt GB5782-M8*80flZnyc-8.8-480	2	
19	4013010293	Nut GB6170-M6flZnyc-8-480	6	
20	4013010297	Nut GB889.1-M8flznyc-8-480	4	
21	4014010232	Bolt GB5782-M8*70flZnyc-12.9-480	2	
22	4015010284	Washer GB97.1-6flZnyc-300HV-480	6	

H0800-2508000036.S1E-G1

Lift hyd assy



L0800-2508000036.S1E

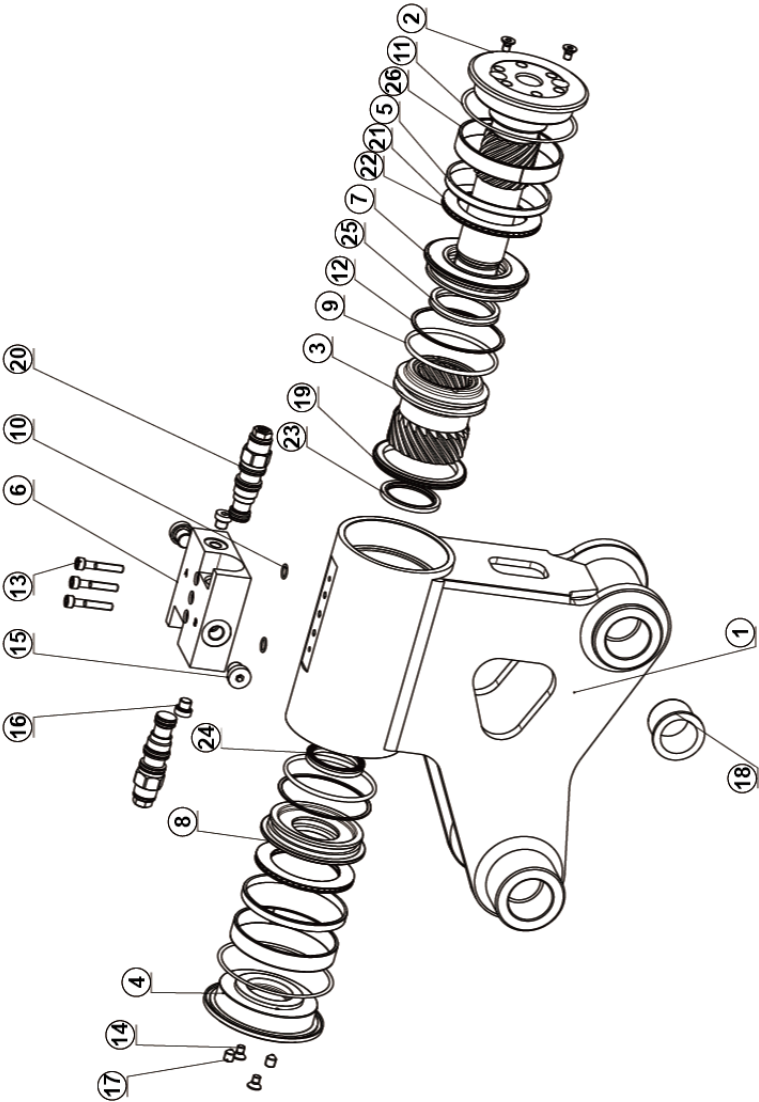


Hydraulic Hose Routing and Fittings

Item	Part No.	Name	Qty.	Remark
23	4015010289	Washer GB96.1-8flZnyc-300HV-480	12	
24	4120001532	No longer used	8	
25	4120002251	No longer used	18	
26	4120707038	Tie ZD-L467-W25-LJK	1	

H2700-4120706343

Platform rotator 055009B651 (10288)

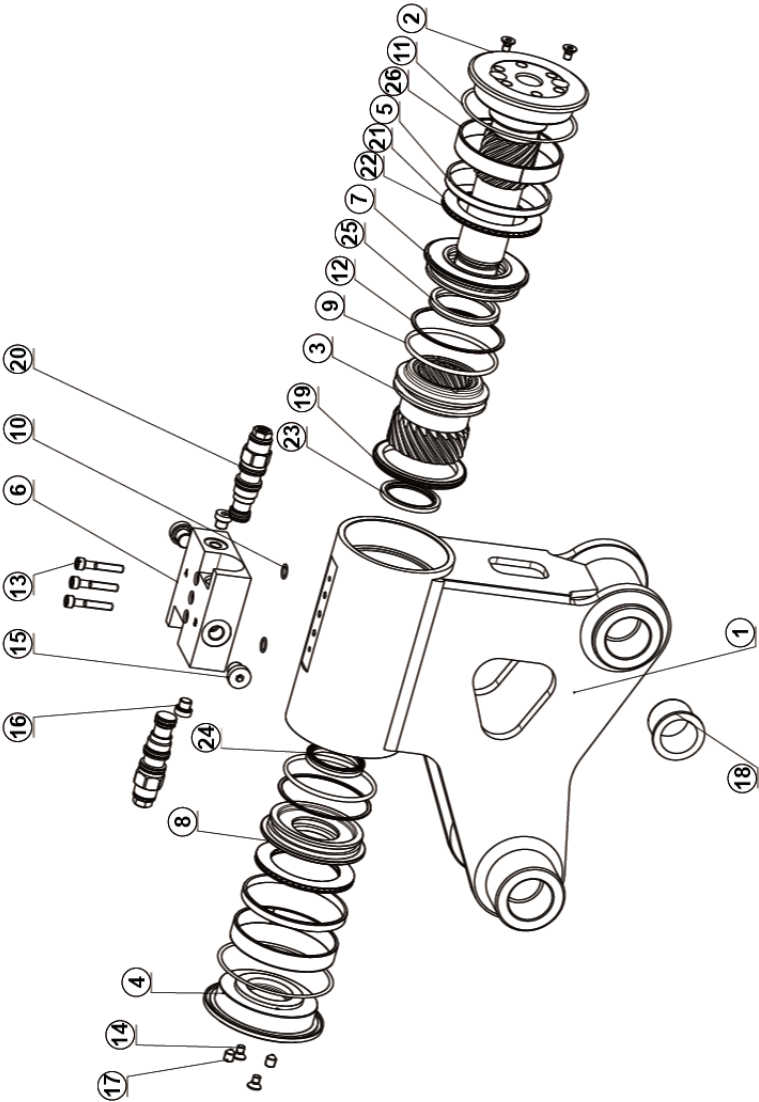


L2700-4120706343

Item	Part No.	Name	Qty.	Remark
1	4120706343001	Cylinder block 80/40*36.6	1	
2		Output screwdriver D80/d40-II		For illustration
3	4120706343003	Hollow bolt D80d40	1	
4	4120706343004	End cover D80/d40	1	
5		Wear ring D80/d40		For illustration
6		Valve block 80/40*36.6		For illustration
7	4120706343007	Upper limit ring D80/d40-II	1	
8	4120706343008	Lower limit ring D80/d40	1	
9		O-ring $\Phi 76.62 \times 3.53$		For illustration
10		O-ring $\phi 9.25 \times 1.78$		For illustration
11		O-ring $\Phi 94.92 \times 2.62$		For illustration
12	4120706343012	Snap ring $\Phi 80 \times \Phi 74.5 \times 1.25$	2	
13		Screw M6*35		For illustration
14	4120706343014	Screw M6*10	4	
15		Plug G1/4		For illustration
16		Plug G1/8		For illustration
17	4120706343017	Screw M8*10	2	
18	4120706343018	Bearing $\phi 1.75'' / \phi 1.25'' \times \phi 1.5'' \times 1.25''$	4	
19	4120706343019	Sealing ring $\Phi 80 \times \Phi 64.5 \times 6.3$	1	
20		Counter balance valve (set pressure 220bar)		For illustration
21	4120706343021	Thrust gasket $\phi 60 \times \phi 85 \times 1$	4	
22	4120706343022	Thrust needle roller bearing $\phi 60 \times \phi 85 \times 3$	2	

H2700-4120706343

Platform rotator 055009B651 (10288)



L2700-4120706343



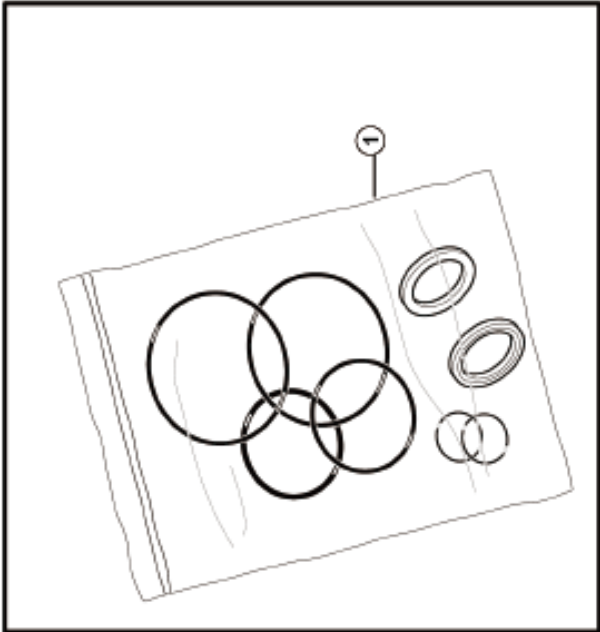
Hydraulic Hose Routing and Fittings

Item	Part No.	Name	Qty.	Remark
23		Rod sealing ring $\Phi 40 \times \Phi 51 \times 4.2$		For illustration
24		Rod sealing ring $\Phi 40 \times \Phi 50 \times 6.6$		For illustration
25		Rod sealing ring $\Phi 50 \times \Phi 60 \times 6.6$		For illustration
26		Sliding bearing $\phi 85 \times \phi 90 \times 15$		For illustration

H2400-4120706074

Lwr level hyd cyl 75*40-345-645 (10570)

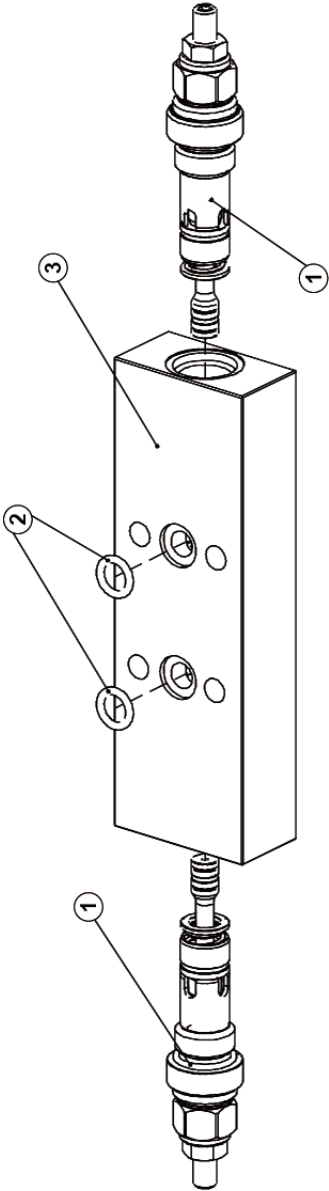
L2400-4120706074



H2700-4120001481

Balance valve assy STA0322R4G14000

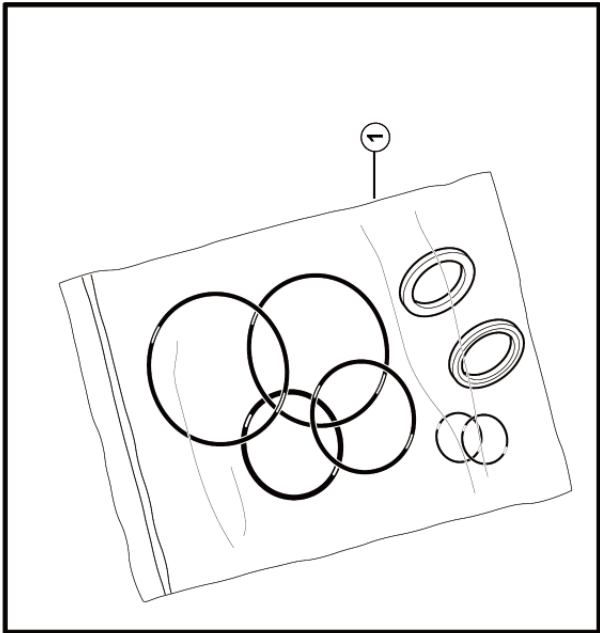
L2700-4120001481



H2301-4120705182

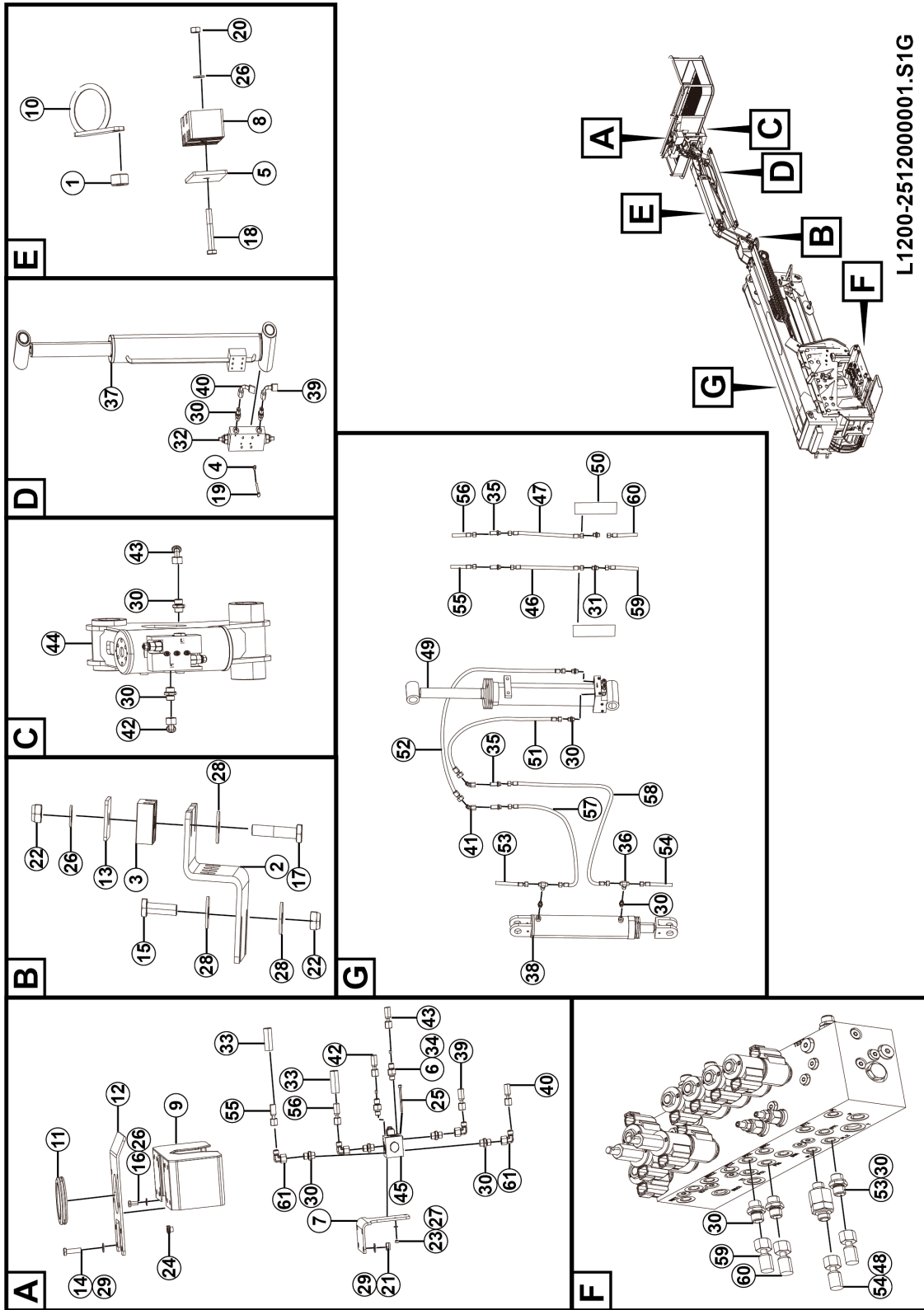
Jib hyd cylinder assy (10570)

L2301-4120705182



H1200-251200001.S1G-G1

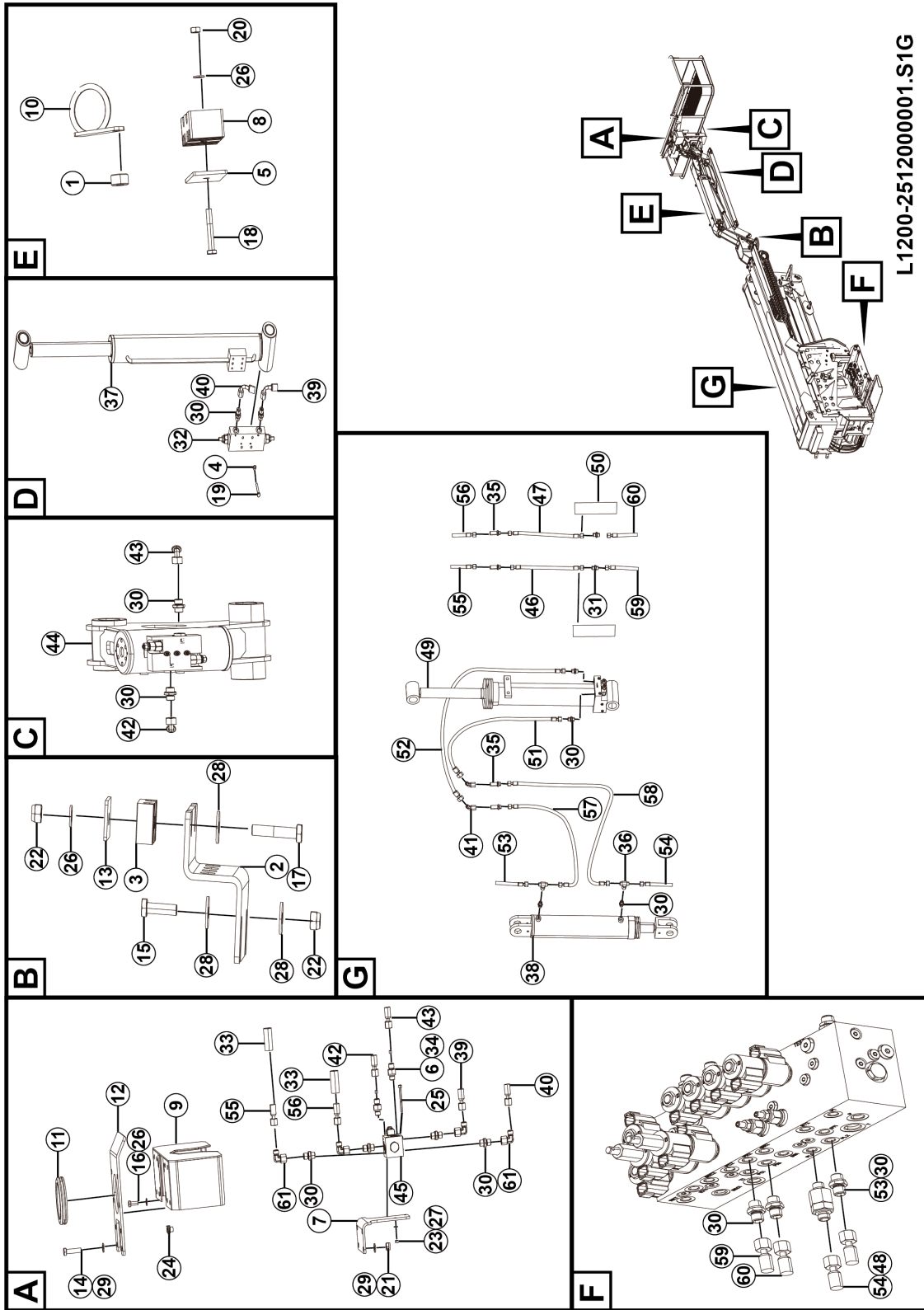
Platform hyd assy



Item	Part No.	Name	Qty.	Remark
1	25080001001	Spacer ring	2	
2	25080010462	Bulkhead joint mounting plate 5	1	
3	25080011991	Harness clamp	1	
4	25110000571	Hard gasket M6	4	
5	25120000062	Jib clamp platen	2	
6	25120000141	Straight joint	2	
7	25120000351	Platform valve mounting plate	1	
8	25120000571	Jib clamp	2	
9	25120001581	Platform valve shield	1	
10	25120001961	Welded torus	2	
11	25160000621	Rubber sleeve	1	
12	25210023892	Threading plate	1	
13	27410100861	Cover plate, 53*30*3	1	
14	4011010706	Bolt GB5783-M10*40flZnyc-8.8-480	4	
15	4011010708	Bolt GB5783-M8*30flznc-8.8-480	2	
16	4011010711	Bolt GB5783-M8*20flznc-8.8-480	4	
17	4011010987	Bolt GB5782-M8*45flZnyc-8.8-480	1	
18	4011010989	Bolt GB5782-M8*60flZnyc-8.8-480	2	
19	4011010990	Bolt GB5783-M6*35flZnyc-10.9-480	4	
20	4013010291	Nut GB6170-M8flznc-8-480	2	
21	4013010292	Nut GB6185.1-M10flZnyc-8-480	4	
22	4013010297	Nut GB889.1-M8flznc-8-480	3	

H1200-251200001.S1G-G1

Platform hyd assy



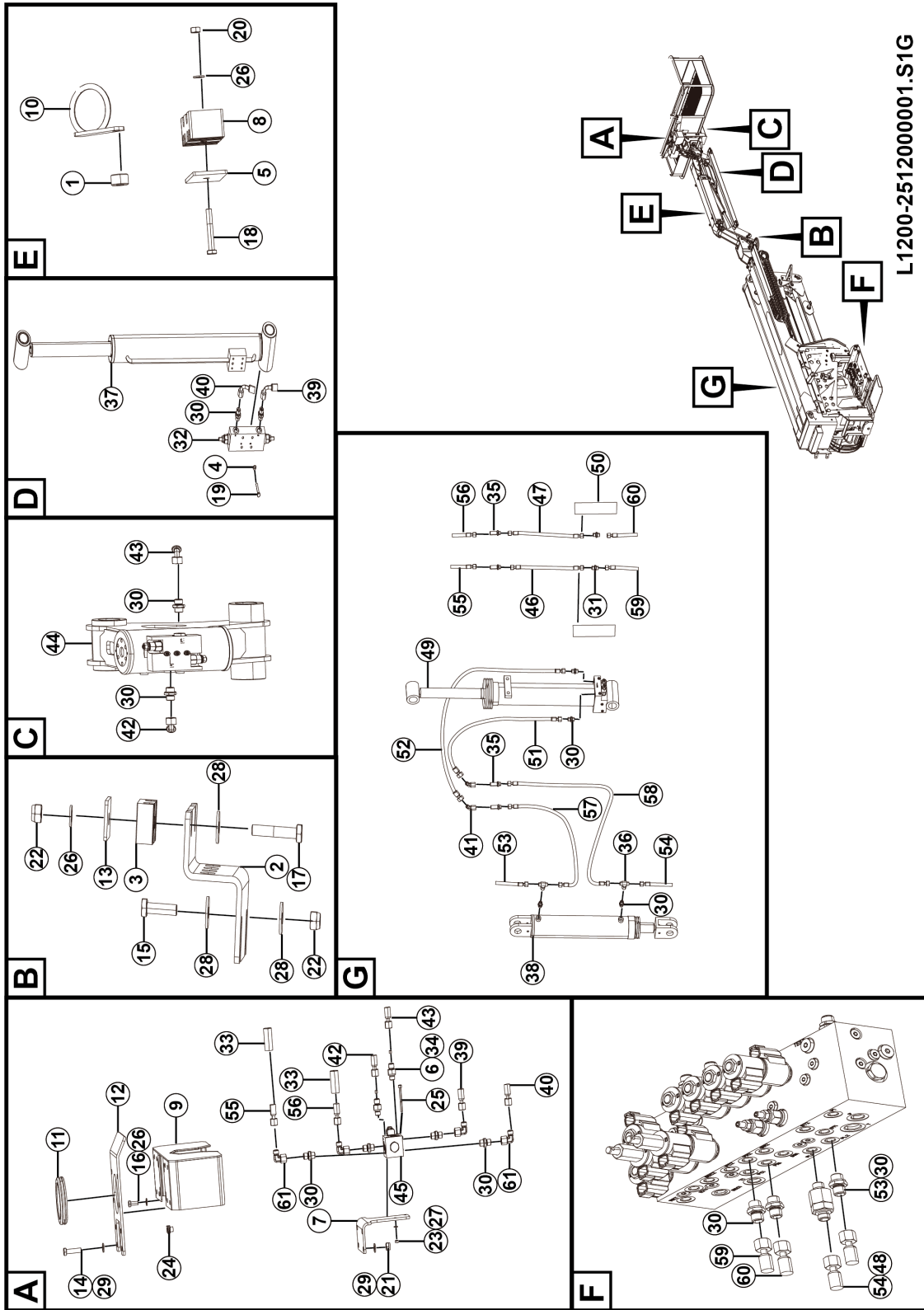


Hydraulic Hose Routing and Fittings

Item	Part No.	Name	Qty.	Remark
23	4013010298	Nut GB6170-M5flZnyc-8-480	2	
24	4013010383	Nut QC339-M8flZnyc-8-480	4	
25	4014010347	Screw GB70.1-M5*55flZnyc-8.8-480	2	
26	4015010280	Washer GB97.1-8flZnyc-300HV-480	7	
27	4015010283	Washer GB97.1-5flZnyc-300HV-480	2	
28	4015010289	Washer GB96.1-8flZnyc-300HV-480	5	
29	4015010339	Washer GB97.1-10flZnyc-300HV-480	8	
30	4120001170	Joint GE08LREDOMDCF	15	
31	4120001296	Joint G08LA3CX	2	
32	4120001481	Balancing valve STA0322R4G14000	1	
33	4120001986	Hose sheath PG-050 (300)	2	
34	4120703558	Orifice plate 0.4	2	
35	4120704926	Straight bulkhead joint SV08LOMDCF	4	
36	4120704927	Combined tee ET08LOMDCF	2	
37	4120705182	Jib hyd cyl 50*32*436-789	1	
38	4120706074	Lwr leveling hyd cyl 75*40-345-645	1	
39	4120706109	Hose FC402CACF080804-1250	1	
40	4120706110-009	Hose FC402CACF080804-1350	1	
41	4120706262	Joint EV08LOMDCF	2	
42	4120706269	Hose FC402CACF080804-800	1	
43	4120706269-004	Hose FC402CACF080804-800	1	
44	4120706343	Rotator 055009B651	1	

H1200-251200001.S1G-G1

Platform hyd assy



L1200-251200001.S1G



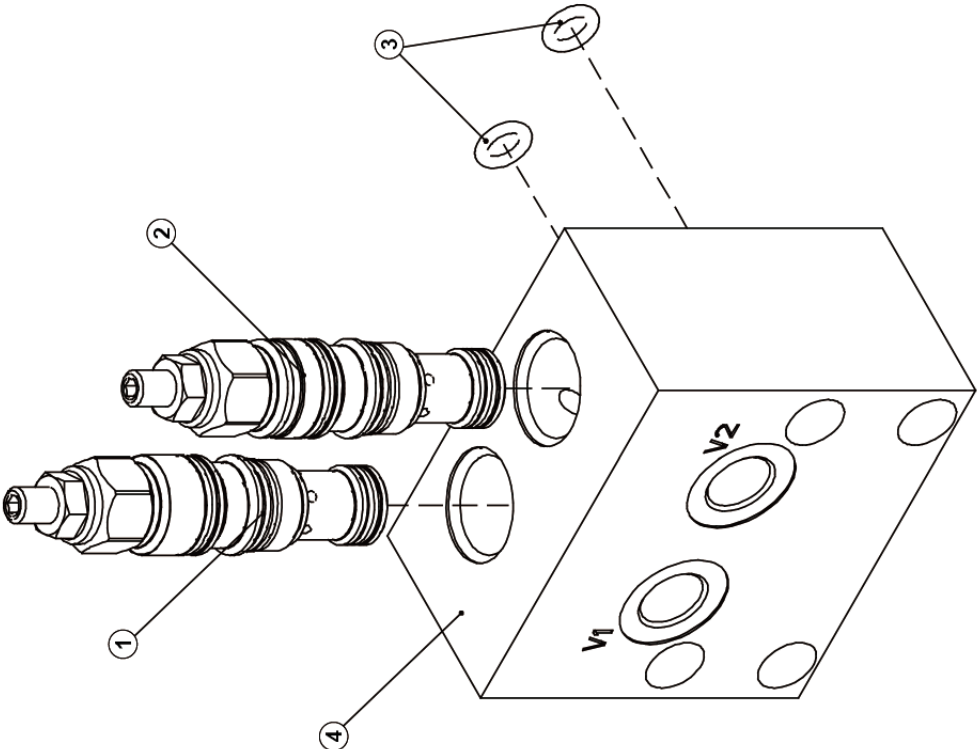
Hydraulic Hose Routing and Fittings

Item	Part No.	Name	Qty.	Remark
45	4120706490	Solenoid valve L7102A06AI0C070	1	
46	4120707300-001	Hose FC402CACA080804-6180	1	
47	4120707300-002	Hose FC402CACA080804-6180	1	
48	4120708900	One-way throttle valve SY-RV-L08-G1/4-0.5-φ0.8	1	
49	4120710379	Upr leveling hyd cyl 75*40*345*645	1	
50	4120710406	Hose nylon sheath AS-B-11-750	2	
51	4120710926-003	Hose FC402CACA080804-1000-AS920	1	
52	4120710926-004	Hose FC402CACA080804-1000-AS920	1	
53	4120710927	Hose FC402CACA080804-9580	1	
54	4120710928	Hose FC402CACA080804-9990	1	
55	4120710931-002	Hose F481CACE080804-2600-AS750	1	
56	4120710931-003	Hose F481CACE080804-2600-AS750	1	
57	4120710984	Hose FC402CACA080804-5670	1	
58	4120710985	Hose FC402CACA080804-5170	1	
59	4120711231-001	Hose FC402CACA080804-8650	1	
60	4120711231-002	Hose FC402CACA080804-8650	1	
61	4190000698	Joint EW08LOMDA3C	4	

H2400-4120705132

Boom ext/ret balancing valve manifold

L2400-4120705132





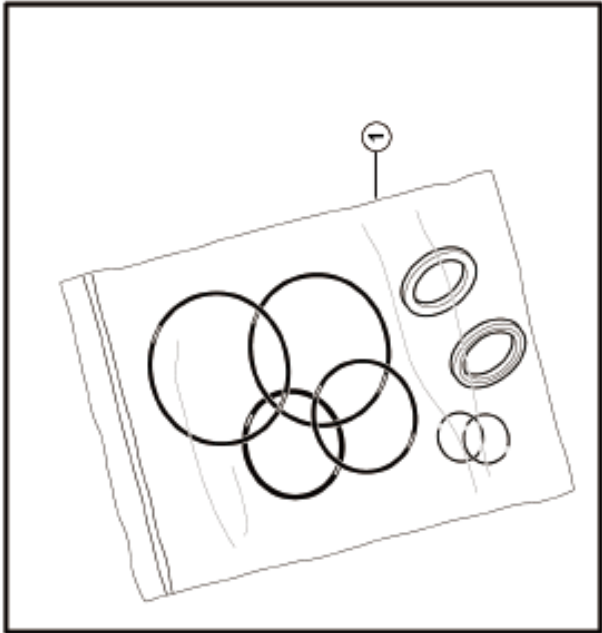
Hydraulic Hose Routing and Fittings

Item	Part No.	Name	Qty.	Remark
1	4120705132001	Balancing valve C06AL080041100A	1	
2	4120705132002	Balancing valve C00D250031100A	1	
3	4120703337003	O-ring 10.77*2.62 NBR 70SH	2	
4	4120705132003	Manifold block ST3677-A000M	1	

H2401-4120703561

Telescopic boom ext/ret hyd cyl assy 10570

L2401-4120703561



J

Accessories

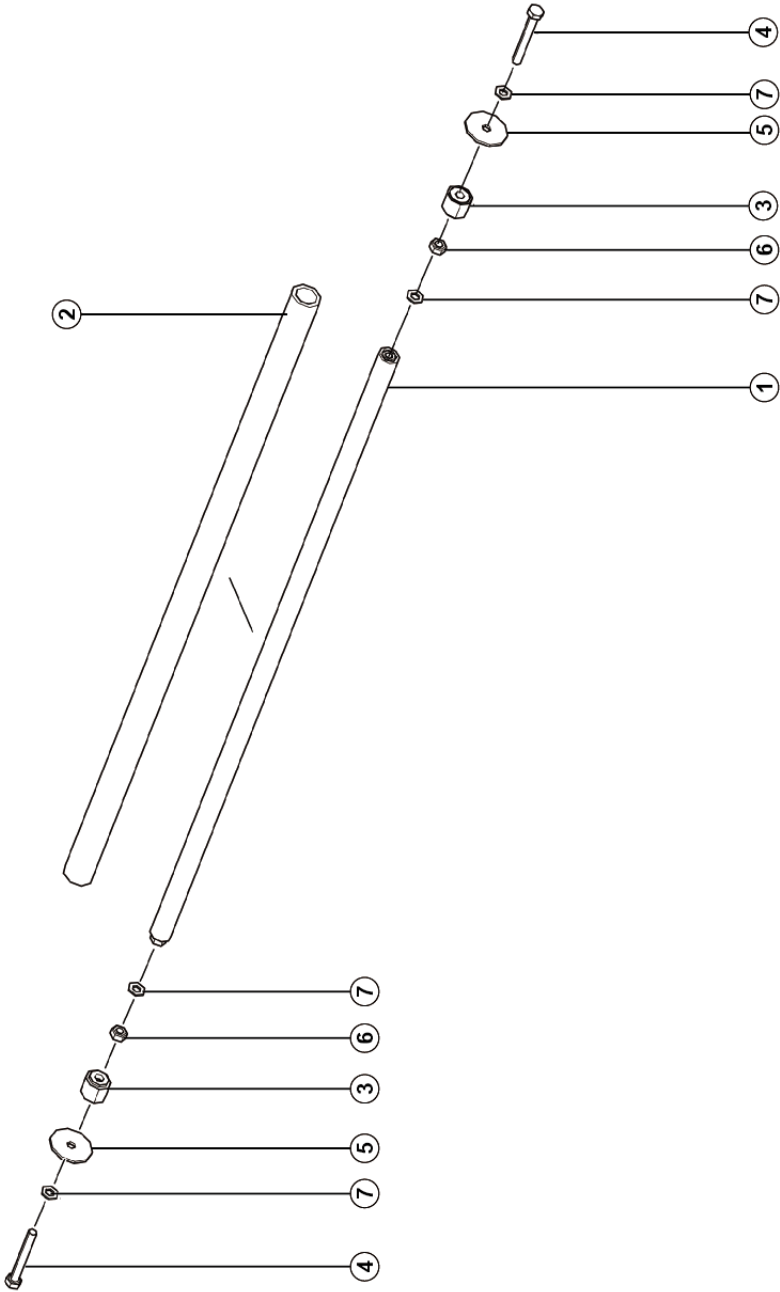
J0000-2500000512.S1A-G1

Schematic

No picture

J3200-2521004246.S1B-G3

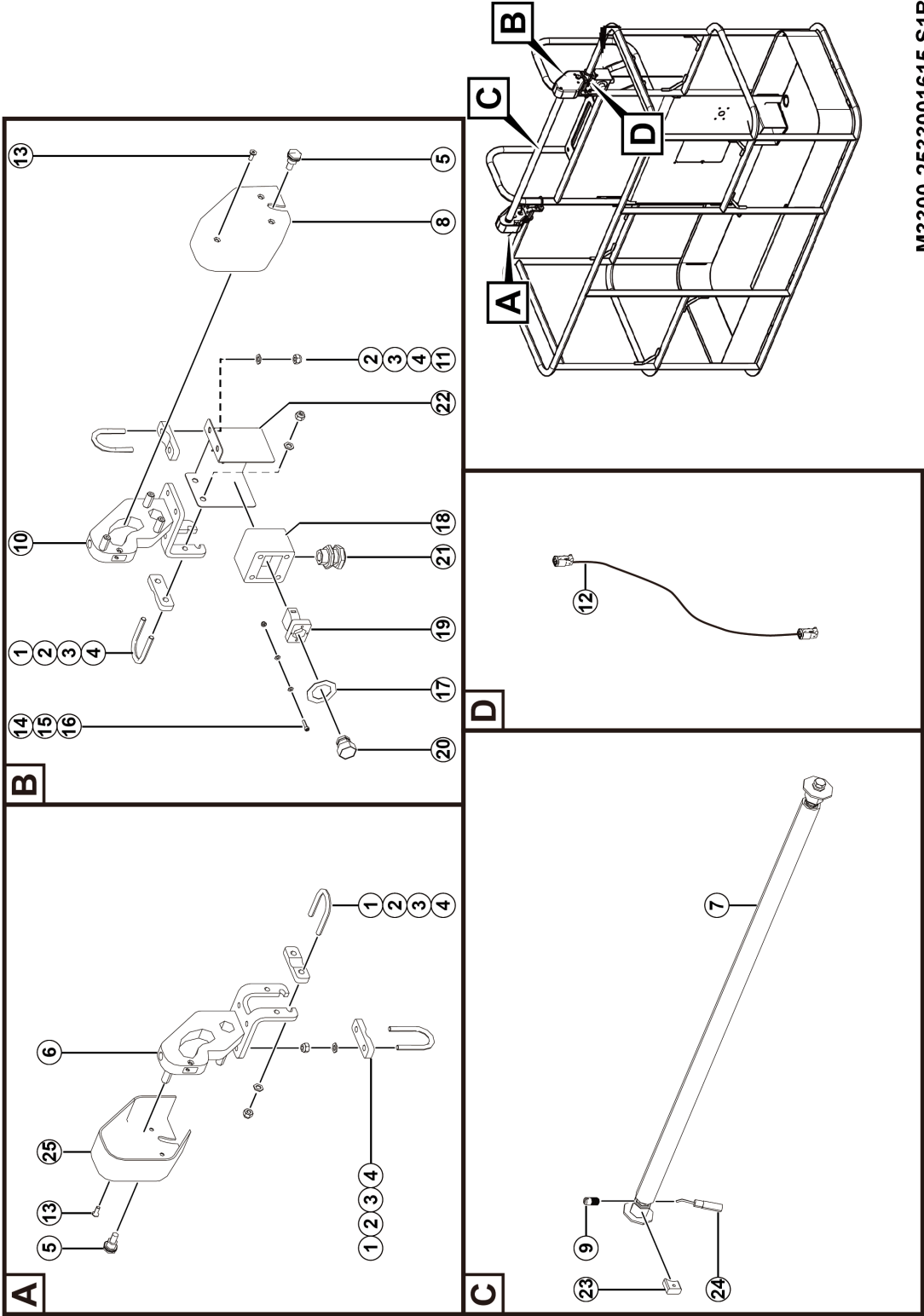
Safety bar assy



M3200-2521004246.S1B

J3300-2533001615.S1B-G1

Safety protection assy

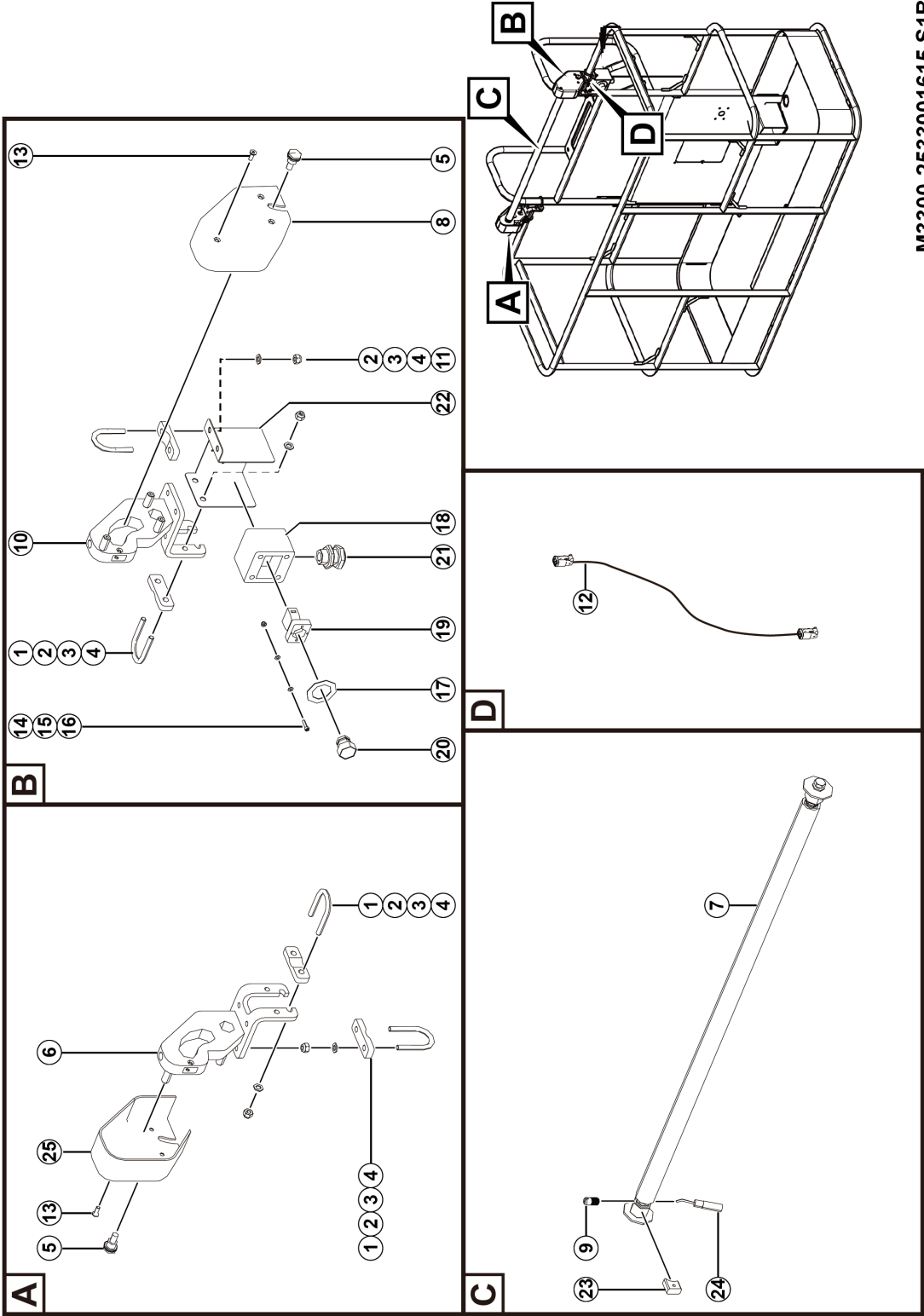


M3300-2533001615.S1B

Item	Part No.	Name	Qty.	Remark
1	25210037261	U-Bolt M8	4	
2	25210042501	Backing block	5	
3	4015010280	Washer GB97.1-8fIZnyc-300HV-480	10	
4	4013010297	Nut GB889.1-M8fIZnyc-8-480	10	
5	4130702398	LED strobe (Blue)	2	
6		LH bracket		For illustration
7		Safety rod assy		For illustration
8	25210037244	RH shield	1	
9	25210047851	Cylindrical pin	2	
10		RH bracket		For illustration
11	25330005041	U-Bolt	1	
12	25330016131	Anti-extrusion harness	1	
13	4014010452	Screw GB70.3-M6*16fIZnyc-8.8-480	8	
14	4014010422	Screw GB70.1-M4*16fIZnyc-8.8-480	2	
15	4013010360	Nut GB889.1-M4fIZnyc-8-480	2	
16	4015010290	Washer GB97.1-4fIZnyc-300HV-480	4	
17	25340018012	Decal-Reset switch	1	
18	4130702120	Switch button box XALB01YC	1	
19	4130703636	Contact module with base ZB2BZ101C	1	
20	4130705198	Red flat-head button ZB2BA4C	1	
21	4130704557	Water-proof joint PG13.5-467158	1	
22	25330005051	Reset switch mounting plate	1	

J3300-2533001615.S1B-G1

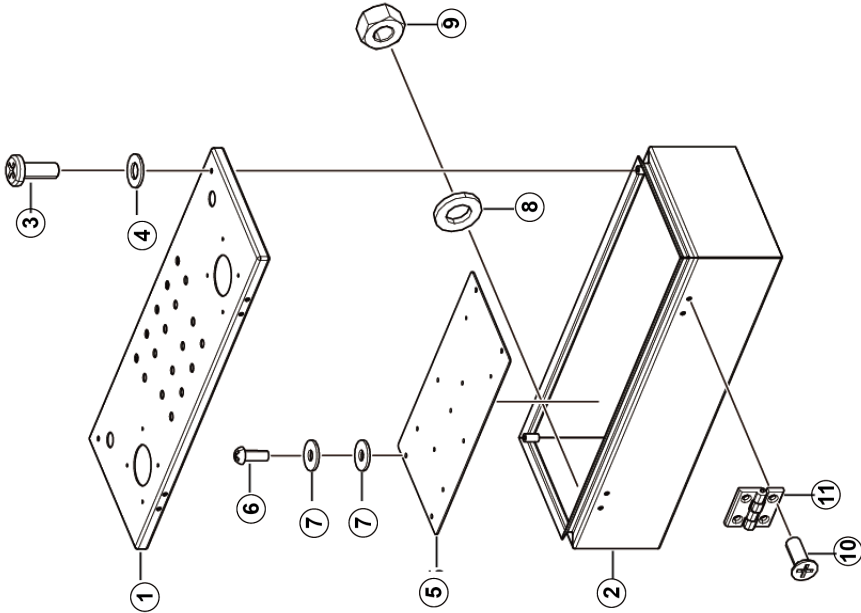
Safety protection assy



J3300-2533001564.S1A-G1

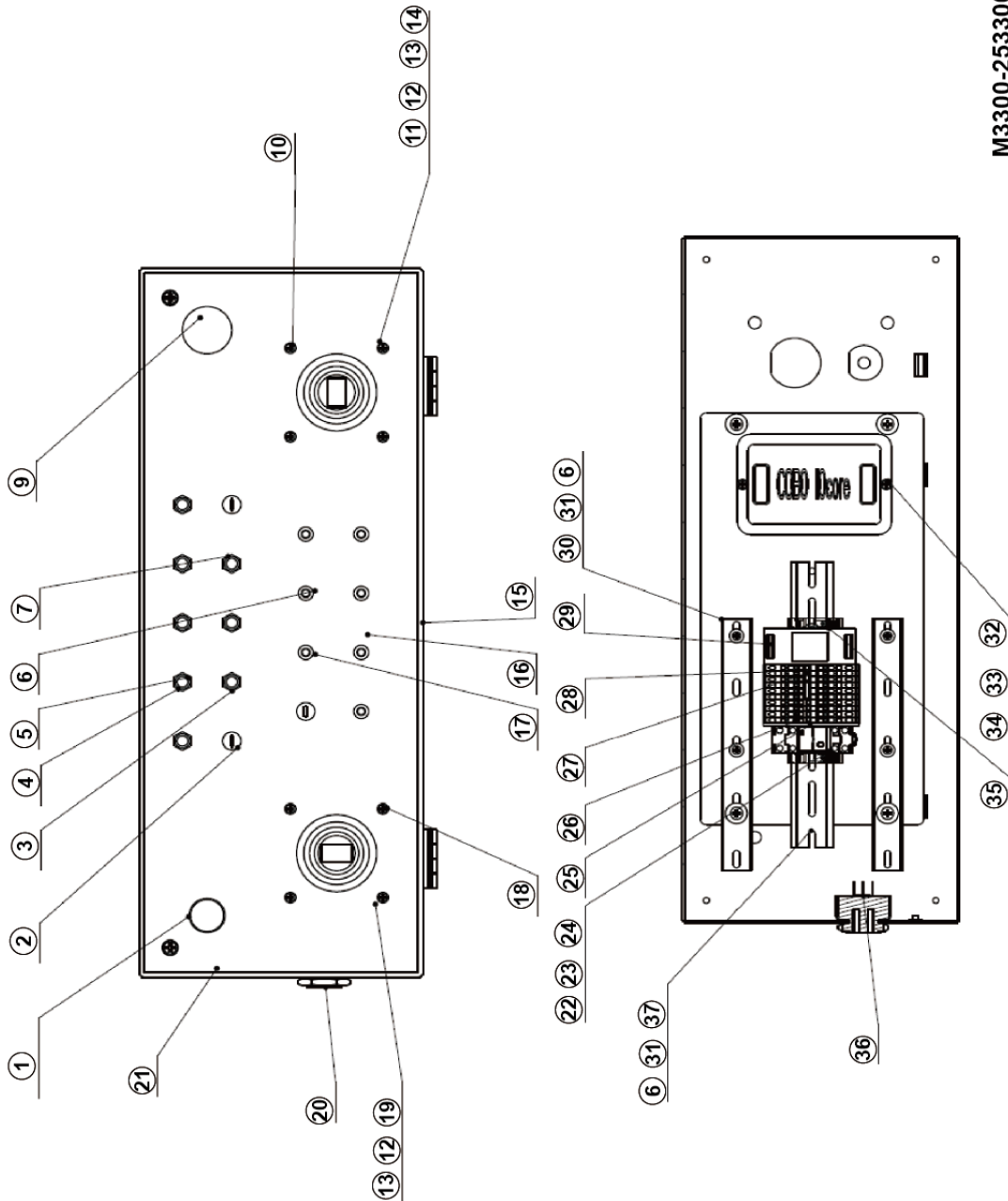
PCU delivered assembled

M3300-2533001564. S1/



J3300-2533001569.S1A-G1

PCU assy

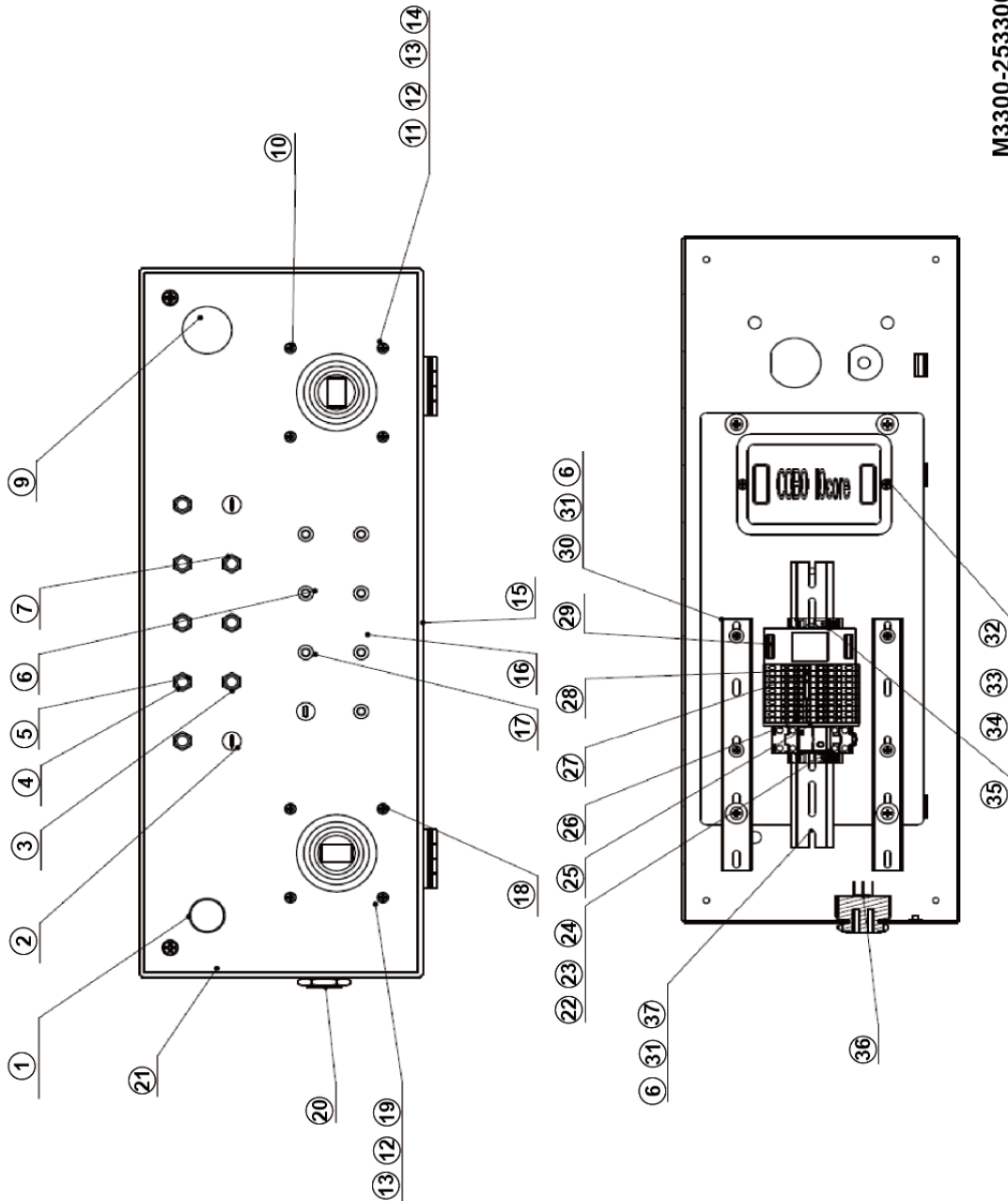


M3300-2533001569.S1A

Item	Part No.	Name	Qty.	Remark
1	4130703635	Green flat-head button ZB2BA3C	1	
2	4130703636	Contact module with base ZB2BZ101C	1	
3	4130703652	Plug M12*1.5 (With nut & gasket)	3	
4	4130705046	Red indicator light AD11-12/20-AGE R DC24V	3	
5	4130705047	Green indicator light AD11-12/20-AGE G DC24V	4	
6	4015010365	Washer GB96.1-4flZnyc-300HV-480	6	
7	4130703628	Switch 635H-K-U282	2	
8	4130705048	Yellow indicator light AD11-12/20-AGE Y DC24V	1	
9	4130702070	Emergency stop switch ZB2BS54C + ZB2B104C	1	
10	4013010304	Nut GB6170-M4flZnyc-8-480	8	
11	4130704071	PG single-axis fingertip joystick	1	
12	25300014671	PG joystick silicone gasket	2	
13	25300014661	Handle aluminum block	2	
14	4130703986	Gasket 0050150001VR (YiShengHua)	8	
15	25330015641	Arm upr control box distribution assy	1	
16	4130703627	Switch 637H-K-U282	4	
17	4130703757	Switch 639H-K-U282	1	
18	4014010387	Screw GB818-M4*25flZnyc-4.8-480	8	
19	4130704072	PG dual-axis fingertip joystick	1	
20	4130000797	Buzzer CY-3631-24V	1	
21	25330015712	Decal-Upr control box decal	1	
22	4130703613	Relay base FS-2CO	1	

J3300-2533001569.S1A-G1

PCU assy

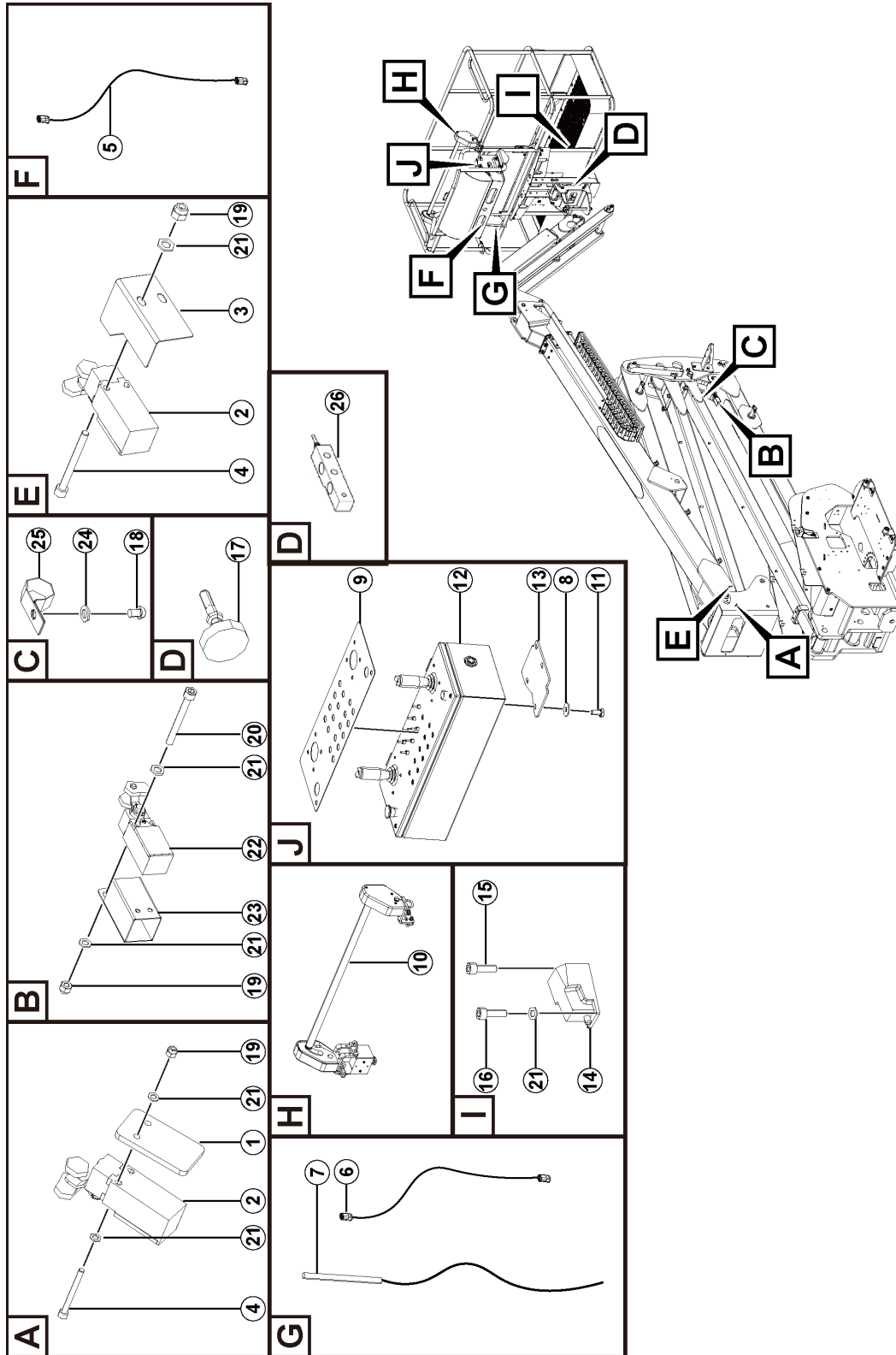


M3300-2533001569.S1A

Item	Part No.	Name	Qty.	Remark
23	4130703612	Relay threaded bracket DRM/DRL CLIP M	1	
24	4130705045	Relay DRM270024L	1	
25	4130703771	Bulkhead ZAP/TW 3	1	
26	25310012721	Resistance 120Ω	1	
27	4130704149	Short-circuit connector ZQV2.5/3	2	
28	4130703608	Terminal block ZDU2.5/4AN	10	
29	4130703604	Voltage regulator MOD URB2405YMD-6WR3A4S	1	
30	4130703617	Wire cage 50*25*600	2	
31	4014010125	Screw GB818-M4*10flZnyc-4.8-480	6	
32	4014010133	Screw GB818-M4*16flZnyc-4.8-480	2	
33	4015010290	Washer GB97.1-4flZnyc-300HV-480	10	
34	4130703602	I/O module IO-CORE	1	
35	4130703605	Retainer EW35	2	
36	25330015702	Upr control box harness	1	
37	4130703615	DIN rail TS3575-250mm	1	

J3300-2533001822.S1A-G1

Platform elec sys

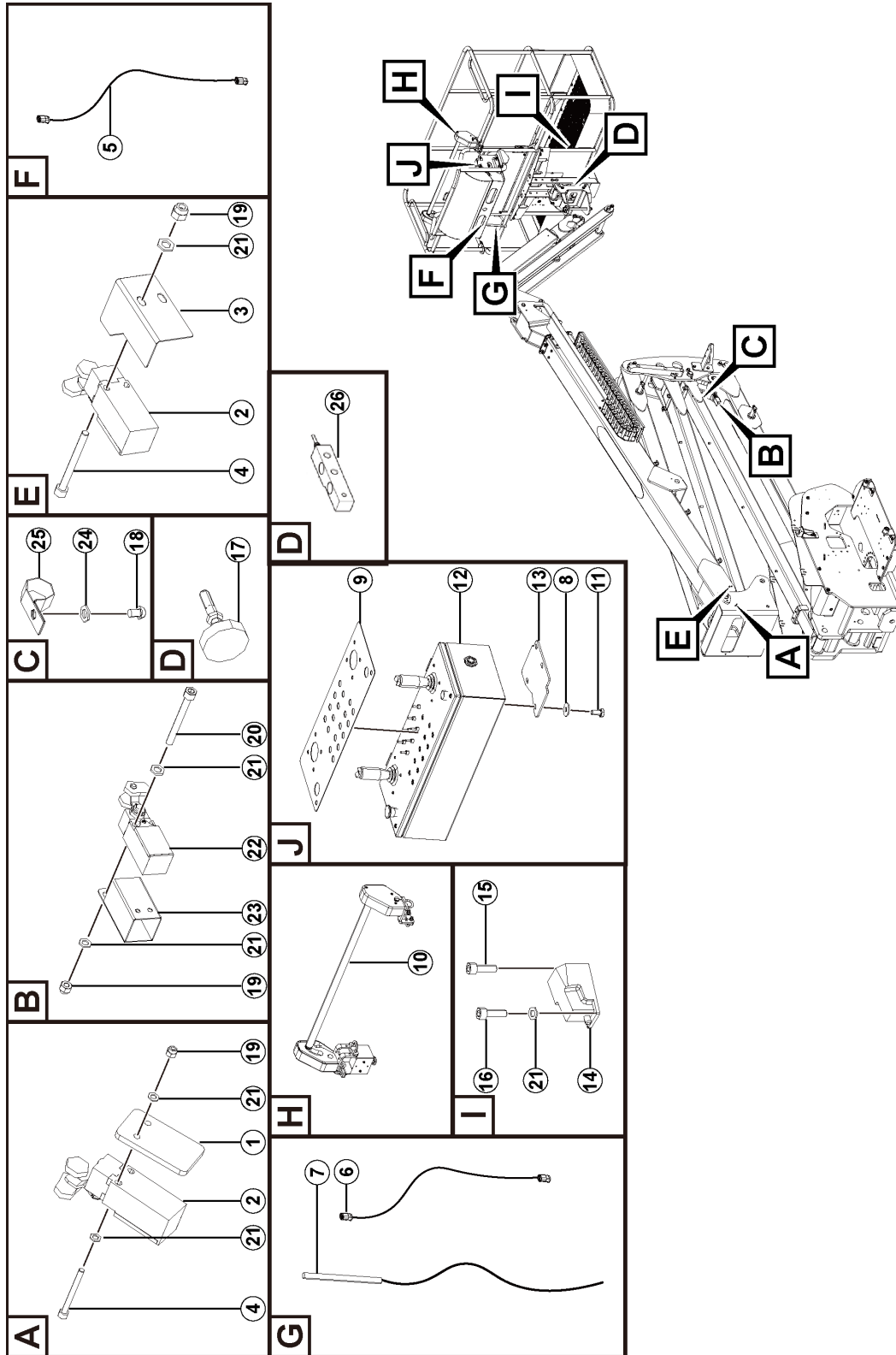


M3300-2533001822.S1A

Item	Part No.	Name	Qty.	Remark
1	25330000972	Amplitude limiting backing plate	1	
2	4130702589	Travel switch	2	
3		Protective welding of telescopic boom switch		For illustration
4	4014010421	Screw GB70.1-M5*50flZnyc-8.8-480	4	
5	25330018231	Platform harness	1	
6	25330002863	Upr & ground control wire	1	
7	25330007382	Limit connecting wire	1	
8	4015010278	Washer GB96.1-10flZnyc-300HV-480	4	
9	25330016771	Upr control box protective film	1	
10	25330016151	Safety protection assy	1	
11	4011010748	Bolt GB5783-M10*20flZnyc-8.8-480	4	
12	25330015691	Upr control sys assy	1	
13	25210057671	Platform transition mounting plate	2	
14	4130702146	Foot switch HRF-HD3NX-LG	1	
15	4014010131	Screw GB70.1-M5*16flznyc-8.8-480	1	
16	4014010122	Screw GB70.1-M5*20flZnyc-8.8-480	2	
17	4130703998	Roly-poly toy adjusting foot M12*50	1	
18	4014010653	Screw GB818-M10*12flZnyc-8.8-480	1	
19	4013010305	Nut GB889.1-M5flznyc-8-480	6	
20	4014010353	Screw GB70.1-M5*45flZnyc-8.8-480	2	
21	4015010283	Washer GB97.1-5flZnyc-300HV-480	15	
22	4130701637	Travel switch XCKN2118P20C	1	

J3300-2533001822.S1A-G1

Platform elec sys



M3300-2533001822.S1A

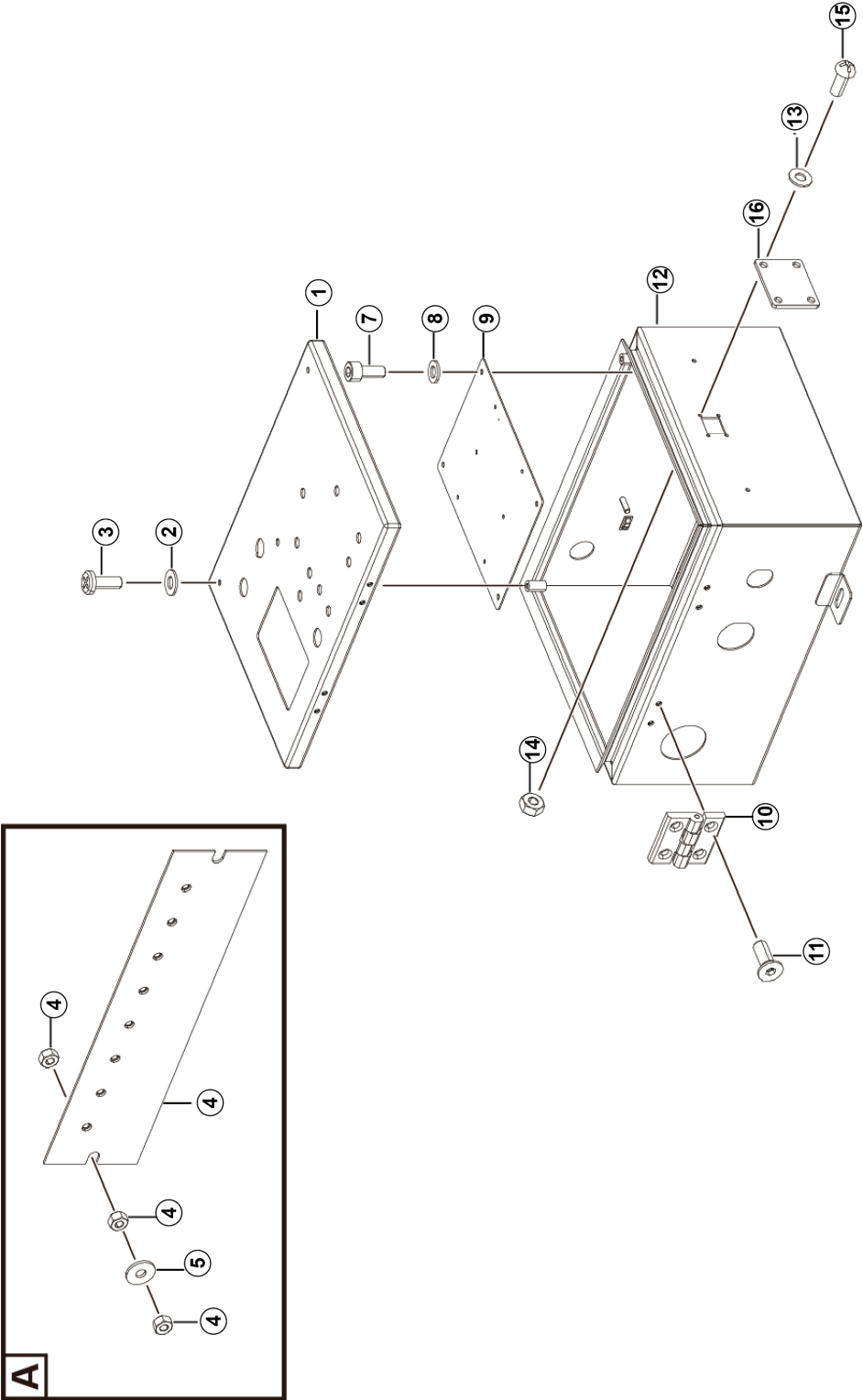


Accessories

Item	Part No.	Name	Qty.	Remark
23	25330005102	Travel switch protection wldmt	1	
24	4015010339	Washer GB97.1-10fiZnyc-300HV-480	1	
25	26370001941	Pipe clamp, for fixing limiter connecting wire	1	
26	4130702468	Load sensor PS-3410 DC	1	

J3100-2531002216.S1A-G1

GCU delivered assembled

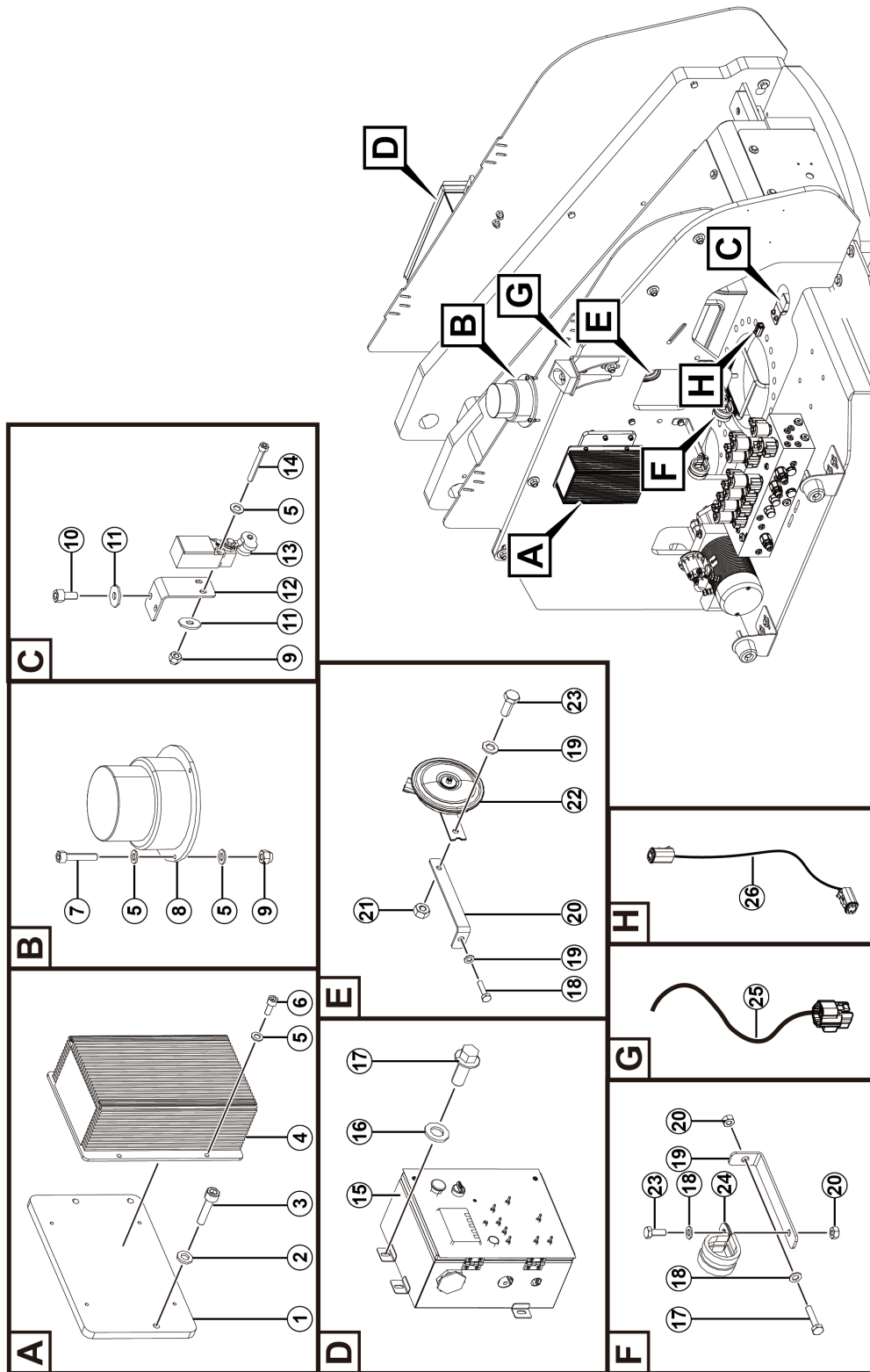


M3100-2531002216. S1/

Item	Part No.	Name	Qty.	Remark
1	25310020411	Ground control box upr cover wldmt	1	
2	25310014151	Rubber pad	2	
3	25310014661	Cross furniture screw M6*16	2	
4	4013010293	Nut GB6170-M6flZnyc-8-480	7	
5	4015010296	Washer GB96.1-6flZnyc-300HV-480	3	
6	25310013172	Relay fixing plate	1	
7	4014010357	Screw GB70.1-M5*12flznyc-8.8-480	4	
8	4015010283	Washer GB97.1-5flZnyc-300HV-480	4	
9	25310013182	Device mounting plate	1	
10	4190706832	Hinge assy 099124E	2	
11	4014010452	Screw GB70.3-M6*16flZnyc-8.8-480	8	
12	25310022171	Ground control box wldmt	1	
13	4015010290	Washer GB97.1-4flZnyc-300HV-480	8	
14	4013010304	Nut GB6170-M4flZnyc-8-480	4	
15	4014010125	Screw GB818-M4*10flZnyc-4.8-480	4	
16	25310014431	Mounting sealing plate	1	

J3100-2531002203.S1A-G1

Turntable elec sys

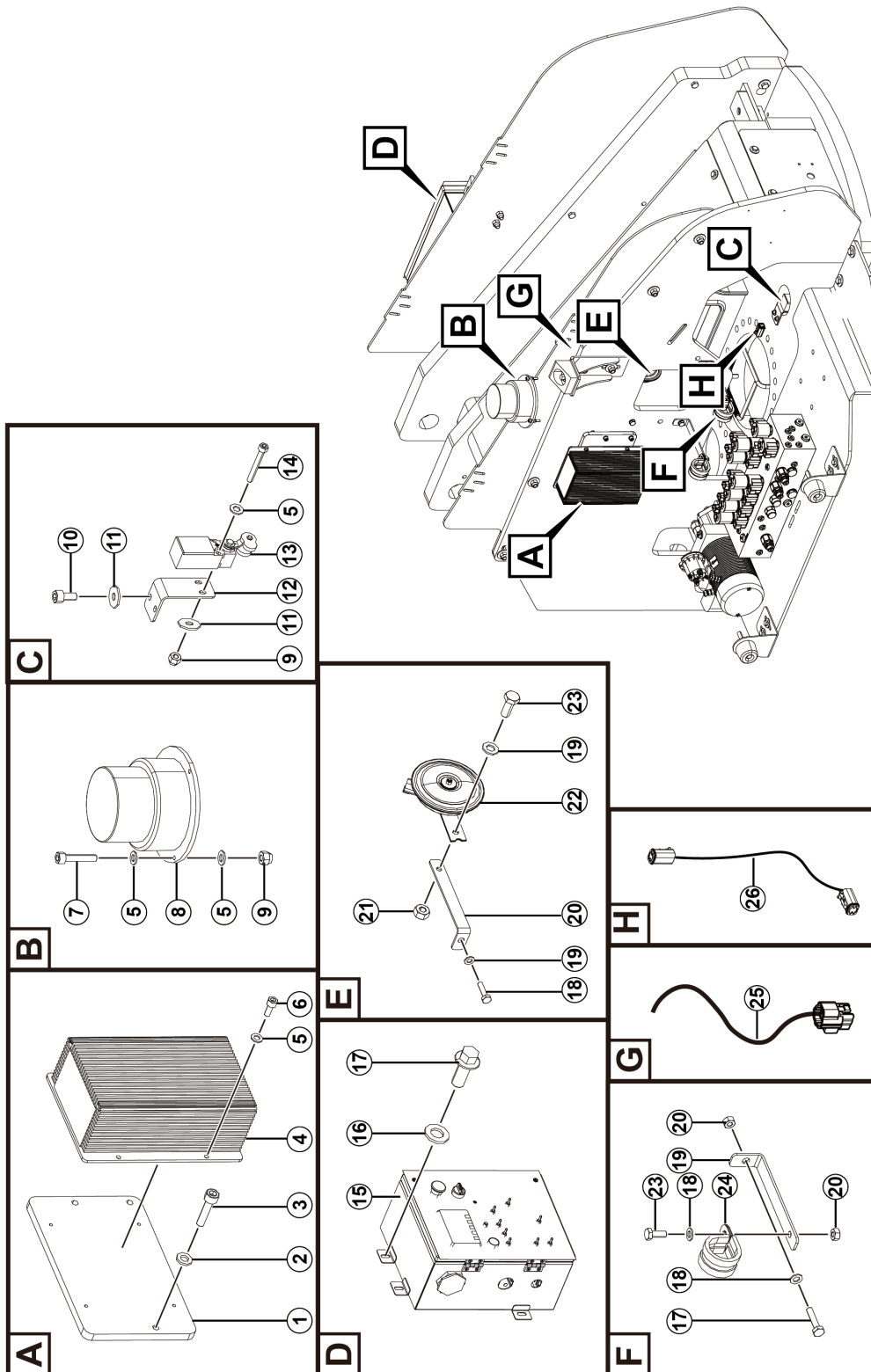


M3100-2531001861 . S1A

Item	Part No.	Name	Qty.	Remark
1	25320008491	Converter mounting plate	1	
2	4014010119	Screw GB70.1-M6*25flznyc-8.8-480	3	
3	4015010284	Washer GB97.1-6flZnyc-300HV-480	3	
4	4130000967	DC converter HWZ16-48V-24V-420W	1	
5	4015010283	Washer GB97.1-5flZnyc-300HV-480	17	
6	4014010357	Screw GB70.1-M5*12flznyc-8.8-480	7	
7	4014010113	Screw GB70.1-M5*25flZnyc-8.8-480	3	
8	4013010305	Nut GB889.1-M5flznyc-8-480	5	
9	4130000974	Alarm lamp	1	
10	4130701536	Tilt sensor WSA0889A	1	
11	4014010123	Screw GB70.1-M5*40flZnyc-8.8-480	2	
12	4130701637	Travel switch XCKN2118P20C	1	
13	4015010345	Washer GB96.1-5flZnyc-300HV-480	2	
14	4014010127	Screw GB70.1-M5*10flznyc-8.8-480	2	
15	25310000051	Limit fixing plate	1	
16	25310022151	Ground control sys assy A14JE	1	
17	4011011015	Bolt GB16674.1-M10*25flZnyc-8.8-480	3	
18	4015010339	Washer GB97.1-10flZnyc-300HV-480	3	
19	4130000906	Monophonic disc woofer	1	
20	4011010711	Bolt GB5783-M8*20flznyc-8.8-480	3	
21	4015010280	Washer GB97.1-8flZnyc-300HV-480	12	
22	4013010291	Nut GB6170-M8flznyc-8-480	6	

J3100-2531002203.S1A-G1

Turntable elec sys



M3100-2531001861 . S1A

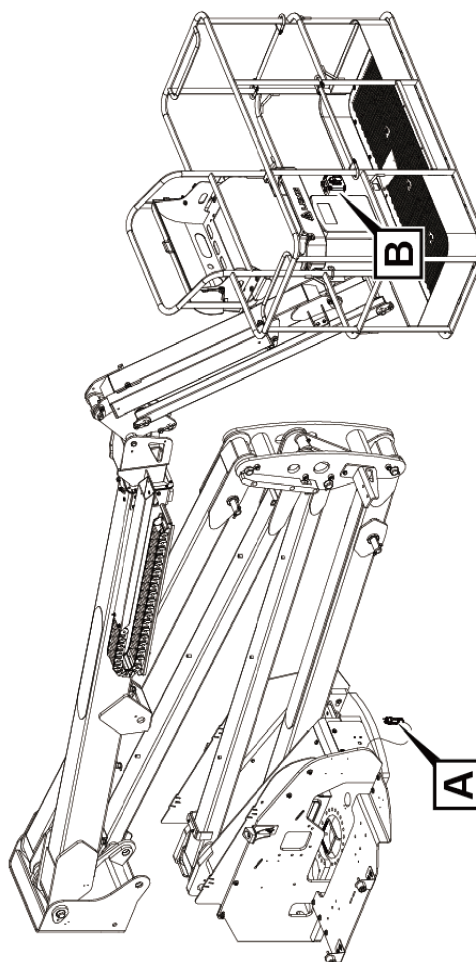
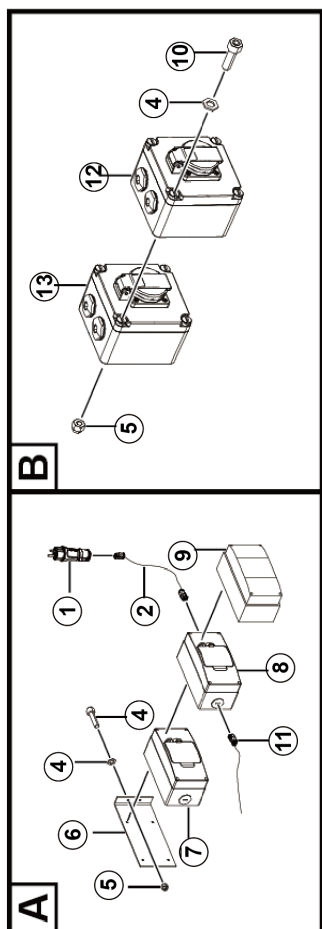
J5101-2551000129.S1A

Control program A14JE (COBO)

No picture

J3300-2533001825.S1A-G1

Power to platform assy



M3300-2533001825.S1A

Item	Part No.	Name	Qty.	Remark
1	4130701799	Plug 17054	1	
2	25330010571	Plug power cable (CE)	1	
3	4014010122	Screw GB70.1-M5*20flZnyc-8.8-480	6	
4	4015010283	Washer GB97.1-5flZnyc-300HV-480	16	
5	4013010305	Nut GB889.1-M5flznyc-8-480	10	
6	25310001641	Circuit breaker mounting plate	1	
7	4130701802	Residual current action protection accessory Vigi iC65	1	
8	4130701801	Circuit breaker IC65N	1	
9	4130701803	Fuse box 56CB1-4N	1	
10	4014010131	Screw GB70.1-M5*16flznyc-8.8-480	4	
11	25330018242	Platform power cable 19000 (CE)	1	
12	4130701806	Socket box 56JB1	1	
13	4130701800	Socket 11331	1	

Part number index

Part number index



Part No.	Page Number	Part No.	Page Number	Part No.	Page Number
25000201911	187	25100000021	127	25210039536	97
25000300521	187	25100000103	127	25210039561	101、103
25040000272	25	25100000141	127	25210041851	97
25040000281	19、23、41	25100000151	127	25210042451	189
25040000291	25	25100006803	137	25210042472	189
25040000311	25	25100007251	137	25210042501	191
25040000351	25	25110000571	175	25210047851	191
25040001411	17、25	25120000062	175	25210049862	97
25040001421	17、25	25120000141	149、175	25210053551	189
25040002021	21、39	25120000351	175	25210057342	105
25040002041	39	25120000571	175	25210057401	105
25040002051	23	25120001581	175	25210057572	105
25040002903	19	25120001961	175	25210057631	105
25040002923	25	25160000621	175	25210057671	201
25040005011	25	25160000731	25	25210059653	105
25040005032	25	25160010228	31	25210059731	105
25040005042	25	25160029081	31	25210060483	99
25040006771	25	25160029091	31	25210074981	97
25050000141	17	25160029101	31	25220000022	83
25050000661	17	25180000561	33	25220000211	75、77、79、81、87
25050001301	29	25180000611	35	25220000221	79、81
25050002801	17	25180016734	35	25220000231	19、29、77、81
25080000911	161	25180016744	33	25220000343	83
25080000931	161	25180017952	33、35	25220000354	75
25080000952	161	25180017962	33、35	25220000431	83
25080001001	175	25200000491	25	25220000442	79
25080001491	161	25200000641	17、25、67、69、91	25220000531	83
25080002882	149、153、159	25200001871	33、35	25220000591	83
25080006171	161	25200008311	97	25220000601	83
25080006601	161	25210000821	105	25220000611	69、83
25080007612	161	25210021683	97	25220000621	83
25080009231	161	25210023892	175	25220000631	83
25080009241	161	25210033691	99	25220000641	83
25080009431	161	25210036371	95	25220000651	83
25080010462	175	25210037234	193	25220000661	87
25080010511	161	25210037244	191	25220000691	91
25080011991	175	25210037261	191	25220000702	87
25090003561	109	25210039381	97	25220000852	91
25090003571	109	25210039443	97	25220000982	91

Part No.	Page Number	Part No.	Page Number	Part No.	Page Number
25220000991	91	25230001262	57	25310013172	205
25220001001	91	25230001272	57	25310013182	205
25220001011	91	25230001314	57	25310014151	195、205
25220001021	69	25230001321	59	25310014431	205
25220001032	69	25230022771	59	25310014661	195、205
25220001061	69	25230022801	57	25310020411	205
25220001071	69	25240000021	67	25310022151	207
25220001102	91	25240000031	65	25310022171	205
25220001111	83	25240000041	65	25310022221	209
25220002821	91	25240000051	65	25320000951	49
25220002981	83	25240000232	67	25320001092	43
25220003091	69	25240000351	67	25320001131	43
25220003101	69	25240000361	67	25320001651	49
25220003111	91	25240000371	67	25320002712	45
25220003122	91	25240000381	67	25320002792	43
25220011811	89	25240000391	67	25320003482	45
25220011821	89	25240000402	67	25320003561	47
25220011832	89	25240000672	73	25320004391	43
25220011841	89	25240000682	73	25320004401	43
25220011851	89	25240000701	73	25320004411	43
25220015301	69	25250000021	53	25320004453	43
25220021001	83	25250000031	53	25320004463	45
25220046711	69	25250000071	53	25320004471	43
25220046831	83	25280000133	55	25320007731	47
25220046852	83	25290001472	11、13	25320007752	47
25230000203	59	25290002722	11、13	25320007762	47
25230000212	59	25290002731	15	25320007781	47
25230000232	59	25290005903	59	25320008381	47
25230000252	57	25290011905	15	25320008451	47
25230000261	59	25290011942	13	25320008491	207
25230000292	59	25290012086	15	25320008501	47
25230000305	57	25300014661	197	25320008901	47
25230000311	59	25300014671	197	25320008911	47
25230000321	57	25310000051	207	25320008921	49
25230000343	59	25310000231	209	25320010701	45
25230000392	57	25310001385	209	25320010951	43
25230001193	59	25310001641	213	25320010971	45
25230001201	57	25310004702	209	25320012832	49
25230001211	57	25310012721	199	25320013942	45

Part number index



Part No.	Page Number	Part No.	Page Number	Part No.	Page Number
25320024101	45	25340014181	5	4011010908	11、 13
25330000972	201	25340017491	3	4011010919	11、 13
25330002863	201	25340018012	191	4011010938	153、 159
25330005041	191	25340018091	5	4011010953	67
25330005051	191	25340020191	3	4011010956	97
25330005102	203	25340020211	5	4011010963	69
25330007382	201	25340020221	3	4011010966	123
25330010251	195	25340020231	3	4011010970	85
25330010571	213	25340025172	5	4011010972	47、 209
25330015641	197	25340025521	5	4011010975	43
25330015651	195	25340025531	7	4011010978	69、 83
25330015691	201	25340040901	7	4011010979	33、 35
25330015702	199	25340042051	7	4011010987	175
25330015712	197	25340042181	7	4011010989	175
25330016131	191	25340042871	7	4011010990	175
25330016151	201	25510001291	211	4011010998	11、 13
25330016771	201	26370001211	45	4011011015	207
25330018231	201	26370001941	203	4011011035	43
25330018242	213	27410100861	175	4011011039	161
25340000041	5	4011010483	53	4011011046	89
25340000361	3	4011010706	67、 91、 175	4011011053	57、 149
25340000371	5	4011010707	47、 53、 57、 91	4011011073	123
25340000381	5	4011010708	17、 59、 175、 209	4011011104	59
25340000391	3	4011010711	21、 31、 39、 43...	4011011116	137
25340000411	5	4011010712	59	4011011139	57
25340000421	3	4011010722	17、 25、 57、 69...	4011011158	195
25340000431	3	4011010724	83、 137	4011011165	73
25340000451	3	4011010727	57、 67、 83、 105...	4011011172	123
25340000471	3	4011010729	59	4011011342	137、 189
25340000481	3	4011010731	15、 33、 35	4011011349	31
25340000611	3	4011010732	17、 45、 91	4011011454	55
25340000621	5	4011010735	127	4011011505	53
25340000631	5	4011010743	57、 67	4013000028	195
25340001891	3	4011010744	45	4013010289	45、 59、 149
25340001901	3	4011010747	11、 161	4013010291	17、 43、 101...
25340001911	3	4011010748	45、 57、 69、 91...	4013010292	137、 175
25340001921	3	4011010757	105	4013010293	33、 35、 161、 205
25340013041	3	4011010780	33、 35	4013010296	45、 53、 57、 67...
25340014171	3	4011010825	67	4013010297	11、 13、 47、 57...

Part No.	Page Number	Part No.	Page Number	Part No.	Page Number
4013010298	177	4014010422	47、191	4030100411	97
4013010300	11、13、15、45...	4014010426	97	4041001057	127
4013010301	33、35、97	4014010450	73	4041001264	127
4013010304	49、197、205	4014010452	191、205	4041010648	209
4013010305	43、109、201...	4014010455	59	4043015481	99
4013010349	59	4014010456	99	4043015482	99
4013010360	11、13、15、191	4014010467	59	4090100284	105
4013010370	33、35、57	4014010486	11	4110000028	15
4013010371	189	4014010653	201	4110001391	53
4013010377	31	4014010682	145	4110702246	21、39
4013010381	101、103	4015000207	195	4110702247	21、39
4013010383	31、43、105、177	4015010249	25	4110702248	21、39
4013010388	89	4015010268	91	4110702249	21、39
4013010401	99	4015010278	17、53、57、69...	4110702404	17、25
4013010403	53	4015010279	17、25	4120000015	53
4013010498	55	4015010280	11、13、21、39...	4120001170	123、145、149...
4014010112	13	4015010283	43、109、137...	4120001177	123
4014010113	207	4015010284	43、67、105...	4120001224	123
4014010119	47、123、207	4015010286	33、35	4120001227	123
4014010120	45	4015010287	53、145	4120001296	177
4014010121	11、13	4015010289	17、31、57、105...	4120001373	123
4014010122	45、109、201、213	4015010290	49、191、199、205	4120001391	121、149、153...
4014010123	207	4015010296	11、13、15、33...	4120001424	127
4014010125	199、205	4015010338	99	4120001427	127
4014010127	207	4015010339	45、67、69、73...	4120001427001	125
4014010131	109、201、213	4015010340	69、83、97	4120001427002	125
4014010132	45	4015010345	207	4120001427003	125
4014010133	15、199	4015010365	11、13、197	4120001427004	125
4014010181	47	4015010371	53	4120001427005	125
4014010231	149	4015010372	55	4120001431	121
4014010232	161	4016010133	25	4120001431002	147
4014010252	105	4016010174	15	4120001431003	147
4014010347	177	4016010175	15	4120001431004	147
4014010353	43、201	4016010262	21、39	4120001431005	147
4014010357	205、207	4019000059	5	4120001431006	147
4014010385	99	4021010037	21、39	4120001431007	147
4014010387	197	4021010038	21、39	4120001431008	147
4014010420	47、97	4030000065	53	4120001431009	147
4014010421	201	4030100212	21、39	4120001431010	147

Part number index



Part No.	Page Number	Part No.	Page Number	Part No.	Page Number
4120001431011	147	4120001432034	133	4120001432073	113
4120001431012	147	4120001432035	133	4120001432074	113
4120001431013	147	4120001432036	133	4120001432075	113
4120001431014	147	4120001432037	133	4120001432076	113
4120001431015	147	4120001432038	133	4120001432077	113
4120001432	121	4120001432039	133	4120001432078	113
4120001432001	117	4120001432040	133	4120001432079	113
4120001432002	117	4120001432041	133	4120001432080	115
4120001432003	117	4120001432042	133	4120001432081	115
4120001432004	117	4120001432043	133	4120001432082	115
4120001432005	117	4120001432044	133	4120001432083	115
4120001432006	117	4120001432045	133	4120001481	177
4120001432007	117	4120001432046	133	4120001481001	171
4120001432008	117	4120001432047	133	4120001481002	171
4120001432009	117	4120001432048	133	4120001490002	129
4120001432010	117	4120001432049	133	4120001490007	129
4120001432011	117	4120001432050	133	4120001490011	129
4120001432012	117	4120001432051	133	4120001532	163
4120001432013	117	4120001432052	133	4120001536	159
4120001432014	117	4120001432053	133	4120001536008	157
4120001432015	117	4120001432054	133	4120001571005	129
4120001432016	117	4120001432055	133	4120001675	121
4120001432017	117	4120001432056	135	4120001675001	131
4120001432018	117	4120001432057	135	4120001675002	131
4120001432019	117	4120001432058	113	4120001778	127
4120001432020	117	4120001432059	113	4120001901001	129
4120001432021	117	4120001432060	113	4120001986	177
4120001432022	117	4120001432061	113	4120002235	121
4120001432023	119	4120001432062	113	4120002251	43、163
4120001432024	119	4120001432063	113	4120002602003	129
4120001432025	119	4120001432064	113	4120002602004	129
4120001432026	119	4120001432065	113	4120002602005	129
4120001432027	119	4120001432066	113	4120002602006	129
4120001432028	119	4120001432067	113	4120002602007	129
4120001432029	119	4120001432068	113	4120002602008	129
4120001432030	119	4120001432069	113	4120002602009	129
4120001432031	119	4120001432070	113	4120702926	159
4120001432032	119	4120001432071	113	4120703112	149
4120001432033	119	4120001432072	113	4120703337003	155、171、181



Part number index

Part No.	Page Number	Part No.	Page Number	Part No.	Page Number
4120703558	177	4120703561	149	4120706343003	165
4120703559	145	4120703561015	183	4120706343004	165
4120703559002	141	4120703873	153、159	4120706343007	165
4120703559003	141	4120703873001	155	4120706343008	165
4120703559004	139	4120704824-004	121	4120706343012	165
4120703559005	139	4120704841	145	4120706343014	165
4120703559007	139	4120704841008	143	4120706343017	165
4120703559009	139	4120704842	153	4120706343018	165
4120703559010	139	4120704842008	151	4120706343019	165
4120703559011	139	4120704862	153、159	4120706343021	165
4120703559012	139	4120704926	177	4120706343022	165
4120703559013	139	4120704927	177	4120706371-005	159
4120703559015	139	4120704962	121	4120706371-006	159
4120703559016	139	4120704963	121	4120706490	179
4120703559018	139	4120705125001	129	4120706642	121
4120703559019	139	4120705132	149	4120706642001	129
4120703559020	141	4120705132001	181	4120706861	121
4120703559021	139	4120705132002	181	4120706861001	111
4120703559022	139	4120705132003	181	4120706861003	111
4120703559024	139	4120705178-009	121	4120706861012	111
4120703559025	141	4120705182	177	4120706861013	111
4120703559026	141	4120705182007	173	4120706861014	111
4120703559027	141	4120705327-006	121	4120706861015	111
4120703559028	139	4120705329-006	121	4120706861016	111
4120703559029	141	4120705552-004	121	4120706861017	111
4120703559044	141	4120706074	177	4120706861018	111
4120703559048	141	4120706074002	169	4120706861020	111
4120703559051	141	4120706109	177	4120706861021	111
4120703559052	139	4120706110-009	177	4120706986-006	121
4120703559053	139	4120706202	149	4120707000	121、145
4120703559054	141	4120706203-001	153	4120707038	163
4120703559055	141	4120706203-002	153	4120707300-001	179
4120703559056	141	4120706204-001	159	4120707300-002	179
4120703559057	141	4120706204-002	159	4120708581-011	121
4120703559058	141	4120706262	177	4120708612-003	121
4120703559059	139	4120706269	177	4120708900	179
4120703559060	141	4120706269-004	177	4120708989	159
4120703559061	141	4120706343	177	4120709531-002	121
4120703559062	141	4120706343001	165	4120710379	179

Part number index



Part No.	Page Number	Part No.	Page Number	Part No.	Page Number
4120710406	179	4130701606009	27	4130703636	191、197
4120710914	53	4130701606010	27	4130703652	197
4120710926-003	179	4130701606011	27	4130703757	197
4120710926-004	179	4130701606012	27	4130703771	199
4120710927	179	4130701606013	27	4130703986	197
4120710928	179	4130701606014	27	4130703998	201
4120710931-002	179	4130701606015	27	4130704071	197
4120710931-003	179	4130701606016	27	4130704072	197
4120710984	179	4130701606017	27	4130704149	199
4120710985	179	4130701606018	27	4130704181	43
4120711056	121	4130701637	201、207	4130704486	189
4120711131	145	4130701734	47	4130704557	191
4120711131-001	145	4130701799	213	4130705045	199
4120711132	145	4130701800	213	4130705046	197
4120711132-001	145	4130701801	213	4130705047	197
4120711231-001	179	4130701802	213	4130705048	197
4120711231-002	179	4130701803	213	4130705077	193
4129900116002	129、155	4130701806	213	4130705198	191
4129900308	121	4130702070	197	4130705910	99
4130000628	45	4130702120	191	4190000208	145、159
4130000722	49	4130702146	201	4190000698	121、145、153...
4130000797	197	4130702398	191	4190001419	129、155
4130000906	207	4130702468	203	4190002249	35
4130000939	43	4130702589	201	4190002250	33
4130000943	47	4130703197	45	4190002605	11、13
4130000956	49	4130703298	47	4190704822	105
4130000967	207	4130703335	47	4190706832	195、205
4130000974	207	4130703597	45	4190707216	67、73
4130001123	45	4130703602	199	4190707217	69、73
4130701536	207	4130703604	199	4190707471	73
4130701606	47	4130703605	199	4190707471001	71
4130701606001	27	4130703608	199	4190707471002	71
4130701606002	27	4130703612	199	4190709892	7
4130701606003	27	4130703613	197		
4130701606004	27	4130703615	199		
4130701606005	27	4130703617	199		
4130701606006	27	4130703627	197		
4130701606007	27	4130703628	197		
4130701606008	27	4130703635	197		