



Parts Manual

BS EN 280-1:2022

AR20J

**Mobile Elevating Work
Platforms**

**LWJAZ200*P1730010
-LWJAZ200*P1730098**

PART NO. A2012J0WNK3CH7002-G1

Spare parts and services:

For the owner of the machines of LGMG, only the spare parts and services of LGMG can make your machine to better maintain the original features.

Only LGMG can provide you with the most appropriate matching parts and the most professional maintenance personnel to guarantee sustainable high productivity and longer service life of machine.

2025-03 version 1 Printed 1

LINGONG HEAVY MACHINERY CO.,LTD.

Add: 2676 Kejia Road, high tech Zone, Jinan City, Shandong Province, China

Tel : 86-0531-67601108

Fax : 86-0531-67601108

Service Tel : 86-0531-67605016

Web : www.lgmg.com.cn

FOREWORD

This parts manual aims to help users to operate, repair and maintain the machine in the use of machine for ease of reference. It can also help the users to understand the structure and assembly relation of the machine.

The Parts Manual has made it clear for users to look up the drawings of different parts and assembly relations systematically. After assembly, disassembled components, such as welding parts or riveted assemblies, are marked only by their codes expect for their applied parts.

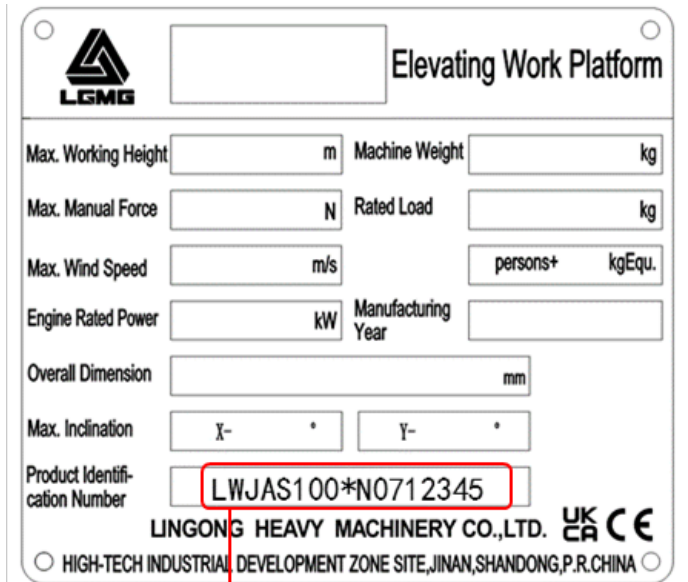
LGMG has endeavored to deliver the highest degree of accuracy possible. However, continuous improvement of our product is a LGMG Policy. Therefore, product specifications are subject to change without notice. When ordering the spare parts, please inform us of the manufacturing year and product identification number of the machine.

Readers are encouraged to notify LGMG of errors and send in suggestions for improvement. All communications will be carefully considered for future printings of this and all other manuals.

PIN and Virtual Code of the Whole Machine Description

Please find the information as follows:

- Locate the nameplate from the product
- Get the PIN from the nameplate as shown below
- Get the virtual code of the whole machine from PIN



The nameplate for an Elevating Work Platform includes the following fields:

Max. Working Height	<input type="text"/>	m	Machine Weight	<input type="text"/>	kg
Max. Manual Force	<input type="text"/>	N	Rated Load	<input type="text"/>	kg
Max. Wind Speed	<input type="text"/>	m/s		<input type="text"/>	persons+ kgEqu.
Engine Rated Power	<input type="text"/>	kW	Manufacturing Year	<input type="text"/>	
Overall Dimension	<input type="text"/> mm				
Max. Inclination	<input type="text"/>	°	<input type="text"/>	<input type="text"/>	°
Product Identification Number	<input type="text" value="LWJAS100*N0712345"/>				

LINGONG HEAVY MACHINERY CO.,LTD. UK CE
HIGH-TECH INDUSTRIAL DEVELOPMENT ZONE SITE, JINAN, SHANDONG, P.R. CHINA

PIN → LWJAS100*N0712345 → The virtual code of the whole machine

How to Order Parts

Please be prepared with the following information when ordering replacement parts for your LGMG product.

- Machine model number
- Machine serial number
- Part number
- Part description and quantity
- Purchase order number
- "Ship to" Address
- Desired method of shipment
- Name and telephone number of the authorized distributor in your area

If you don't know the name of your authorized distributor, or if your area is not currently serviced by an authorized distributor, please call LGMG Industries.

CONTENTS

B Decals

B3400-2534003549.S1F-G1	Decals installation	2
-------------------------	-------------------------------	---

C Drive Chassis Components

C0100-2501002848.S1A-G1	Engine transmission sys	10
C0100-2501002999.S1A-G1	Engine cooling sys.	12
C0100-2501002998.S1C-G1	Engine assy	14
C0100-2501002908.S1C-G2	Engine mounting sys	18
C2900-2529000289.S-G1	Latch assy	22
C2900-2529002586.S1A-G1	Covering accessories	24
C2900-2529002382.S1A-G1	RH hood assy.	28
C0100-2501002907.S1A-G1	Engine tray delivered assembled	32
C2900-2529002623.S1A-G1	LH hood assy	34
C8200-2582000026.S1A-G1	Drive shaft assy	36
C0600-2506000257.S1B-G1	Service brake assy	38
C0100-4110001498-G2	Air filter G068663.	42
C0200-2502000285.S1C	Fuel tank assy	44
C3713-2537130021.S1A	Parts recommendation list.	46
C0400-2504000689.S1A-G1	FR axle assy.	48
C1600-2516005027.S1A-G1	Chassis assy	50
C0500-2505000398.S1C-G1	RR axle assy	52
C0100-2501003003.S1C-G1	Engine fuel sys.	54
C0100-4110703262	Radiator assy M9115616 (11133)	58
C0100-2501003037.S1A-G1	Engine air intake sys	60
C0100-4110705279	Engine assy V2403-M-DI-E3B-LGL1T (1J879-17000)	64
C0100-2501003047.S1A-G1	Engine exhaust sys	68

D Turntable Components

D2300-2523002547.S1B-G1	Turntable assy	72
D2500-2525000149.S1C-G1	Swing mechanism assy.	78
D2800-2528000486.S1A-G1	Counterweight assy	80
D1400-2523001606.S-G1	Swing bearing protection assy	82

E Scissor(Boom Structure) Components

E2200-2522005972.S1A-G1	Lwr link assy II	86
E2200-2522005879.S1A-G1	Upr link assy II	88
E2200-2522005867.S1A-G1	Upr link assy I.	90
E2200-2522005866.S1A-G1	Connecting bracket assy.	92
E2200-2522005883.S1A-G1	Lwr link assy I.	94
E2200-2522004295.S1E-G1	Secondary boom assy.	96
E2200-2522004474.S1A-G1	Boom assy	100
E2200-2522004722.S1A-G1	2nd boom subassy.	102

E2200-2522004507.S1A-G1	2nd boom assy	104
E2700-2527000370.S1A-G1	Bellcrank assy	106
E2700-2527000376.S1A-G1	Jib assy	108
E2200-2522004506.S1A-G1	Primary boom assy	110
E2400-2524000562.S1A-G1	Cable track assy	112
E2200-2522004423.S1E-G1	Telescopic boom assy	114
E2200-2522004424.S1A-G1	Primary boom subassy	118
F Platform Components		
F2100-2521004048.S1C-G4	Platform support assy	122
F2100-2521003957.S-G3	Sliding rail with U-bolts assy	126
F2100-2521005833.S1A-G3	Sliding rail with U-bolts	128
F2100-2521005712.S-G3	Platform frame assy	130
F2100-2521005935.S1A-G2	Triangular bracket assy	132
F2100-2521004169.S1D-G2	Platform assy	134
H Hydraulic Hose Routing and Fittings		
H1000-2510000783.S1B-G1	Hyd oil tank delivered assembled	140
H2700-4120709068	Platform control valve manifold ST5745-AB00	144
H2300-4120001428-G1	High pressure filter assy KGLB-0080005L	146
H2201-4120001427-G2	Air filter EF2-32 (10293)	148
H0800-2508001106.S1F-G1	Lift hyd assy	150
H0900-2509000372.S1C-G1	Turntable hyd assy.	156
H2700-4120705607	Jib hyd cylinder (10570)	162
H2501-4120709047-G2	Emergency power unit MD12200-01 (10486)	164
H1000-2510000777.S1A-G1	Hyd oil tank assy	166
H1200-2512000255.S1A-G1	Cable track pipe clamp assy	168
H2700-4120707614	Jib counterbalance valve ST8234-A000	170
H2600-4120708648	Oscillate control valve manifold ST5698-A000	172
H2200-4120001419	Oil return filter	174
H1200-4120709550	Upr level hyd cyl 90*45*345-697 (10570)	176
H0700-2507000901.S1D-G1	Traveling hyd assy.	178
H1200-2512000256.S1A-G1	Bulkhead fitting group	184
H1200-4120709551	Lwr level hyd cyl 90*45*343-667 (10570).	186
H2600-4120708714	Oscillate hyd cylinder 100*50*94-350 (10570)	188
H2500-4120709047	Emergency power unit MD12200-01 (11206)	190
H2700-4120707982	Platform rotator HBM95/180 (10288)	192
H1100-2511000181.S1D-G1	Axle oscillate hyd assy	196
H1200-2512000322.S1C-G2	Platform rotate hyd assy	202
J Accessories		
J3300-2533001589.S1E-G1	Platform elec assy	212
J3100-2531001859.S1A-G1	GCU delivered assembled AR20JE	216

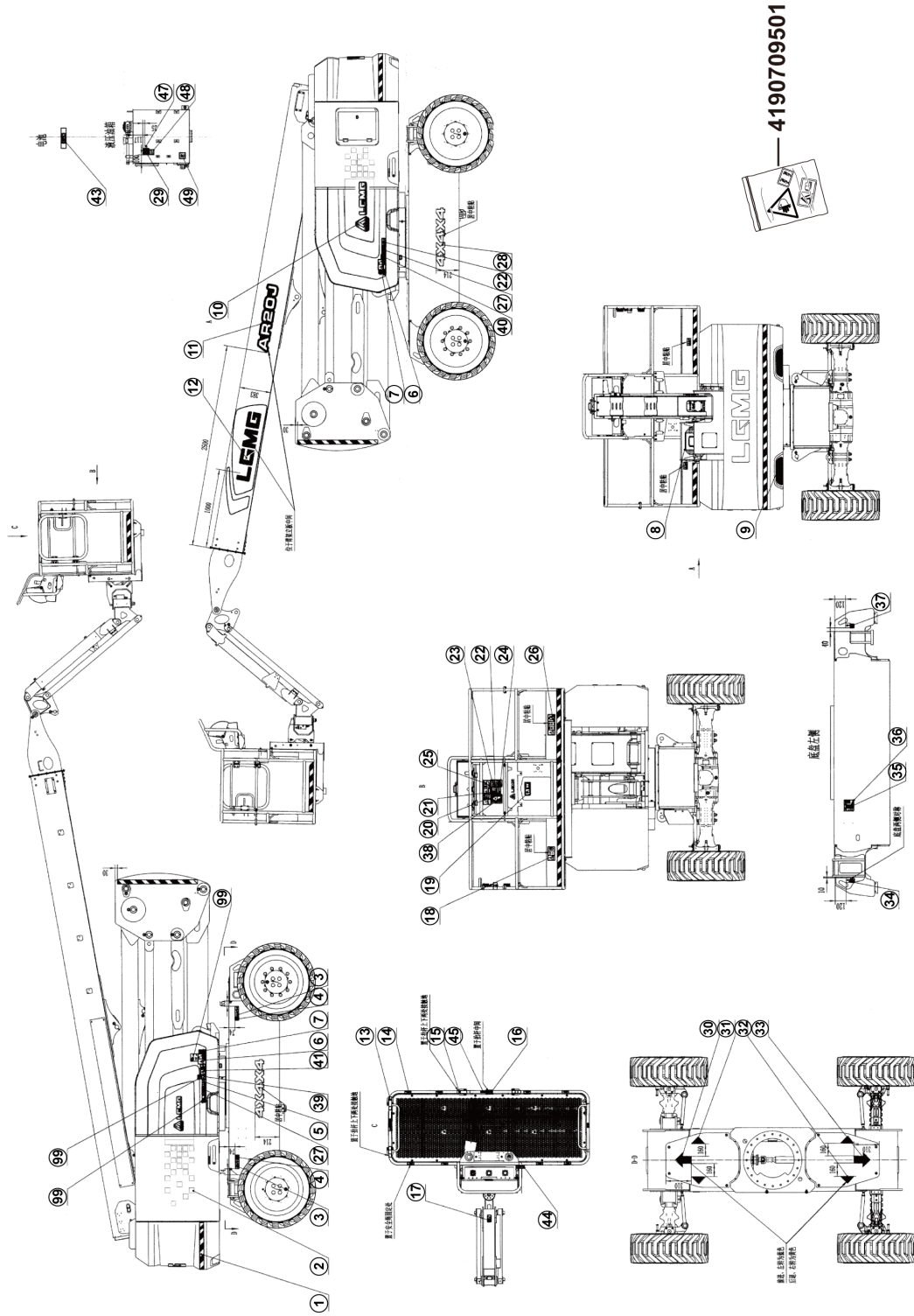
J3100-2531002487.S1B-G1	GCU assy	218
J3100-2531002305.S1C-G8	Turntable elec assy	222
J5100-2551000141.S1A-G1	Electronic ontrol program AR20JF (Kubota EU III)	228
J7000-2570000057.S1A-G1	Power to platform assy	230
J3300-2533001534.S1A-G1	PCU delivered assembled.	232
J3300-2533001591.S1A-G1	PCU assy	234
J3200-2521004246.S1B-G3	Safety bar assy	238
J0000-2500000519.S1A-G1	Schematic.	240
J3300-2533001594.S1A-G1	Platform protection assy	242
Part number index		245

B

Decals

B3400-2534003549.S1F-G1

Decals installation

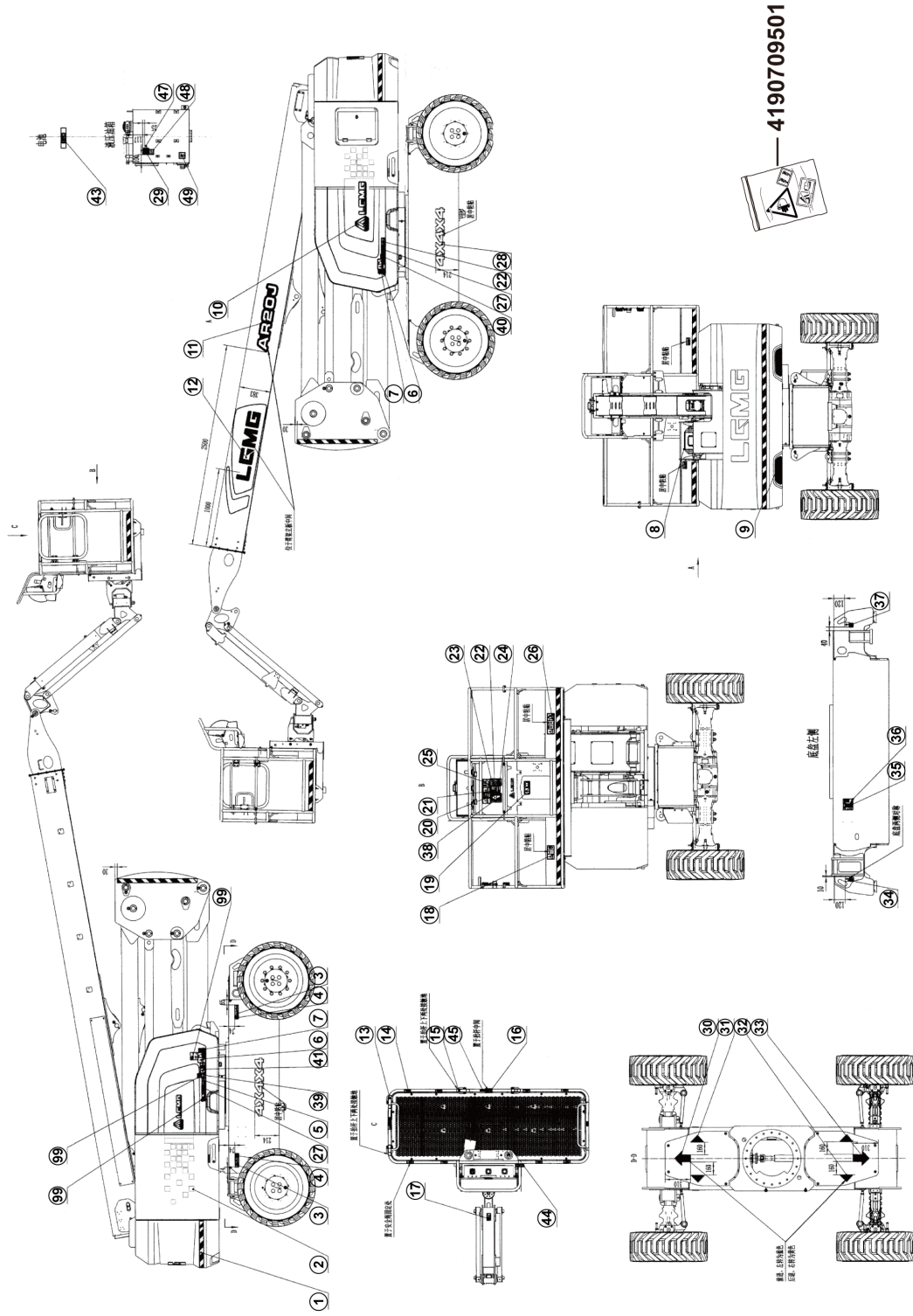


P3400-2534003549.S1F

Item	Part No.	Name	Qty.	Remark
1		Warning wire		For illustration
2		Decal-LOGO (LH)		For illustration
3	25340000451	Decal-Note on changing tires	4	
4	25340026921	Decal-Wheel load (7000kg)	4	
5		Decal-Read the instructions decal		For illustration
6	25340000481	Decal-Anti-ELEC shock warning decal	2	
7	25340000431	Decal-crushing protection decal	2	
8	25340000411	Decal-Stay away from machine warning	2	
9	25340026571	Decal-Reflective sticker	2	
10	25340035511	Decal-RH hood decal	1	
11	25340035501	Decal-Model AR20J	1	
12	25340017751	Decal-LOGO-English-365	1	
13	25340018091	Decal-Anti-scratch sticker	4	
14		Decal-Lanyard anchorage point		For illustration
15		Decal-Anti-scratch sticker		For illustration
16	25340000361	Decal-Lwr the mid column attention decal	2	
17	25340000421	Decal-Fall protection decal	1	
18	25340000371	Decal-Outdoor manual force decal	1	
19		Decal-Read the instructions decal		For illustration
20		Decal-Slope driving		For illustration
21		Decal-Warning		For illustration
22	25340002471	Decal-ELEC shock hazard decal	2	

B3400-2534003549.S1F-G1

Decals installation

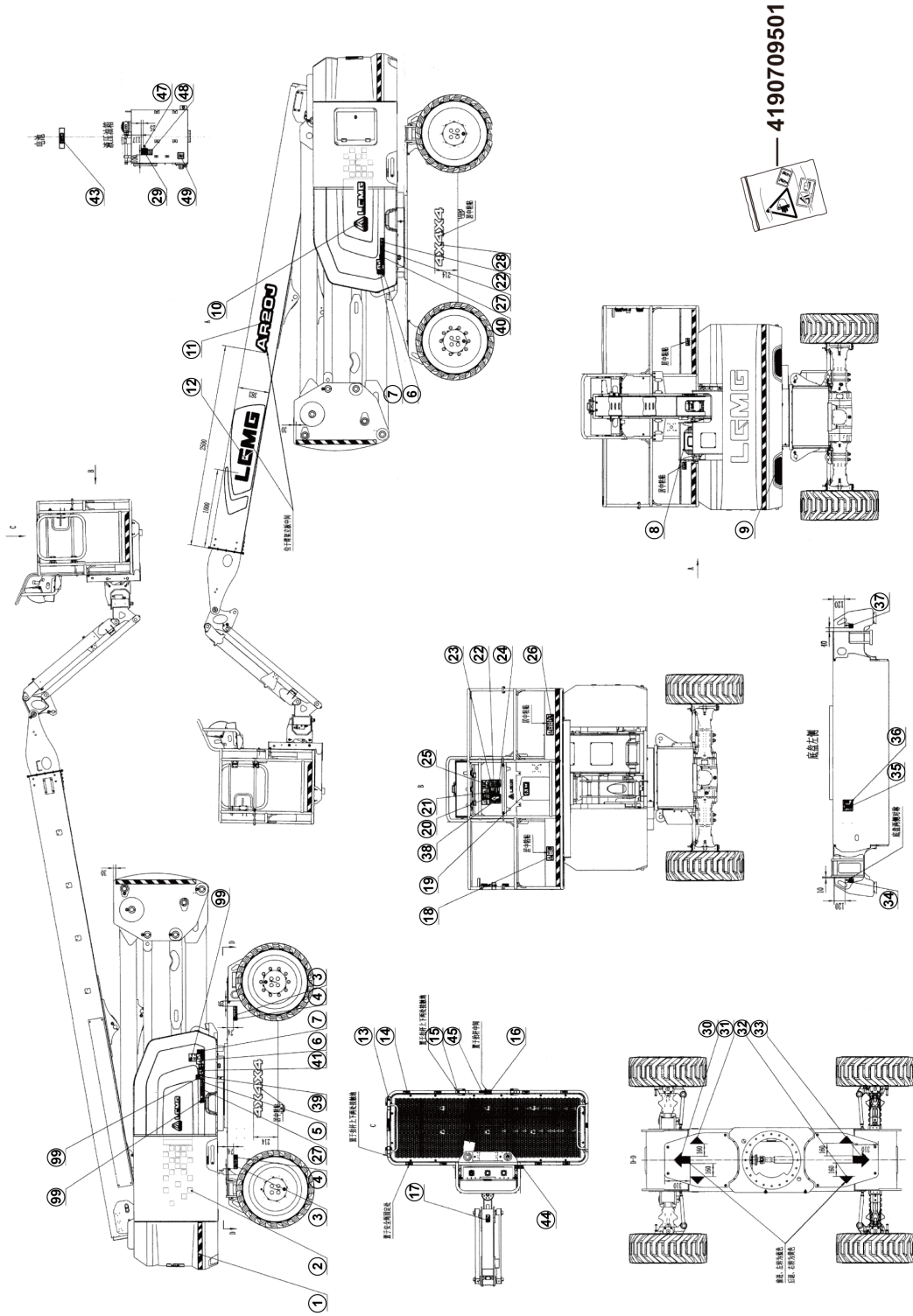


P3400-2534003549.S1F

Item	Part No.	Name	Qty.	Remark
23	25340000391	Decal-Tip-over protection	2	
24	25340032431	Differential lock instructions	1	
25	25340000631	Decal-Tip-over protection on slope	1	
26	25340032672	Decal-Double load decal	1	
27		Decal-In-box maintenance attention		For illustration
28	25340031431	Decal-4*4*4 decal	2	
29		Decal-Hyd oil decal		For illustration
30		Decal-Arrow decal		For illustration
31		Decal-Arrow decal		For illustration
32		Decal-Arrow decal		For illustration
33		Decal-Arrow decal		For illustration
34		Decal-Lifting decal		For illustration
35	25340041111	Complete machine nameplate	1	
36	4019000059	Rivet GB12618.1-3*10	4	
37		Decal-lifting eye		For illustration
38	25340034501	Decal-Working curve-AR20JE	1	
39		Decal-CE decal		For illustration
40		Decal-Fuel tank decal		For illustration
41	25340000041	Decal-Warning, explosion burn	1	
42	25340007861	Decal-107dB noise decal	1	
43	25340020261	Decal-Power switch instructions	1	
44	25340036411	Decal-Rail position decal	1	

B3400-2534003549.S1F-G1

Decals installation



P3400-2534003549.S1F



Decals

Item	Part No.	Name	Qty.	Remark
45	25340034781	Decal-Finger pinch points	3	
46	25340040141	Decal-UKCA	1	
47	25340043871	Decal-Oil suction filter switch decal	1	
48	25340033371	Decal-Main power switch decal	1	
49	25340042181	Decal-HV32 hyd oil decal	1	
50	25340042011	Decal-No mixing of hyd oil (English)	1	

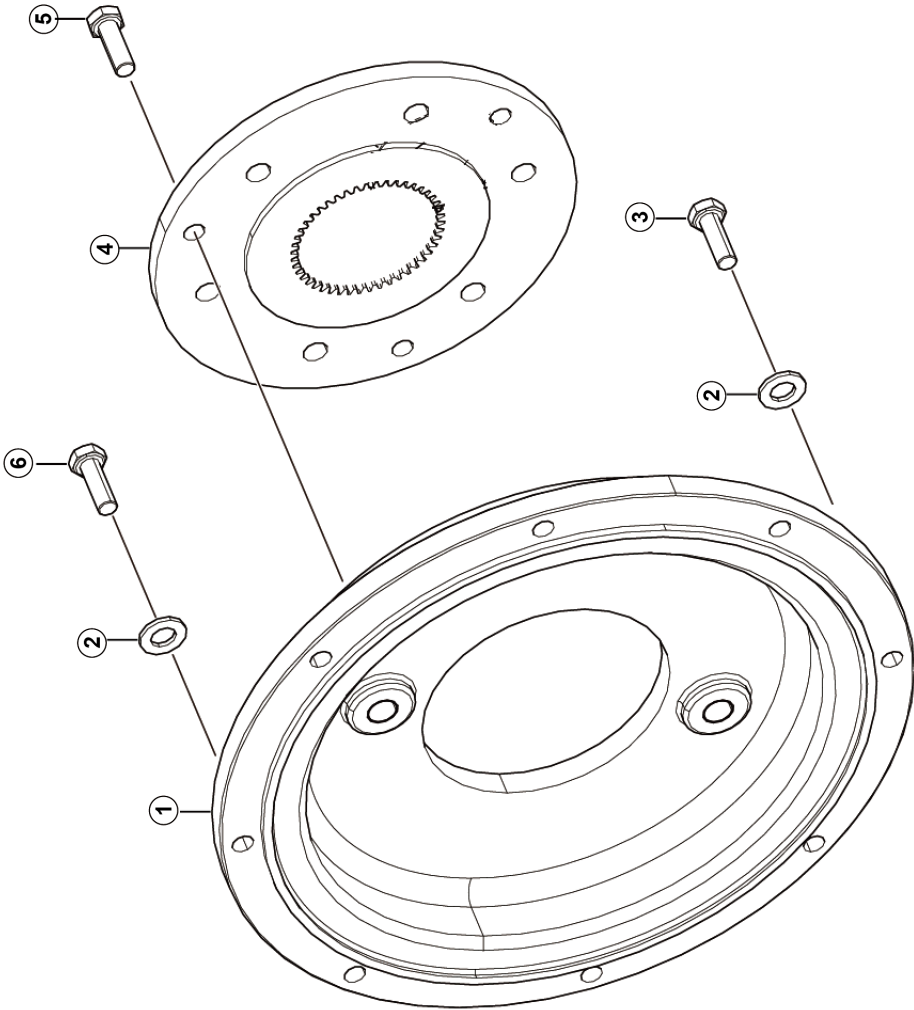
C

Drive Chassis Components

C0100-2501002848.S1A-G1

Engine transmission sys

A0100-2501002848. S1A





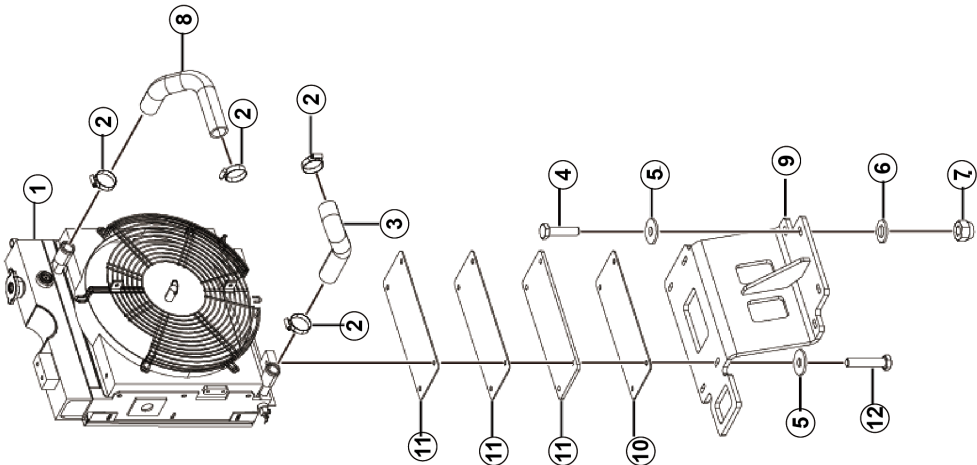
Drive Chassis Components

Item	Part No.	Name	Qty.	Remark
1	25010028471	Pump cover plate	1	
2	4015010339	Washer GB97.1-10flZnyc-300HV-480	11	
3	4011010707	Bolt GB5783-M10*30flznc-8.8-480	6	
4	4110705866	Coupling RJ-LGGJ220412CA	1	
5	4011011173	Bolt GB5786-M10*1.25*30flZnyc-10.9-480	3	
6	4011010706	Bolt GB5783-M10*40flZnyc-8.8-480	2	

C0100-2501002999.S1A-G1

Engine cooling sys

A0100-2501002999.S1A



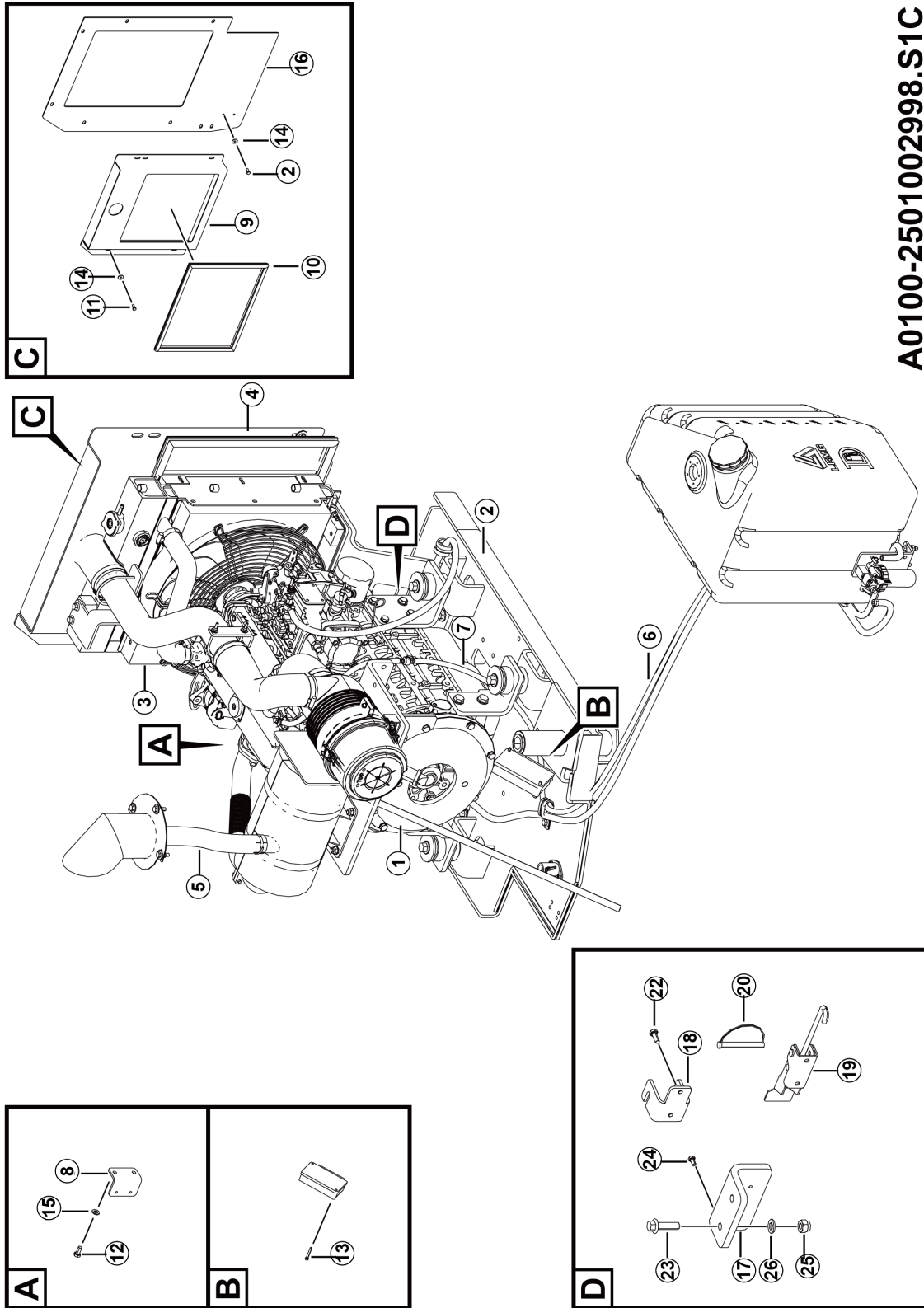


Drive Chassis Components

Item	Part No.	Name	Qty.	Remark
1	4110703262	Radiator assy M9115616	1	
2	4017000009	Hose clamp JB8870-D50	4	
3	25010004161	Engine water inlet pipe	1	
4	4011010706	Bolt GB5783-M10*40fZnyc-8.8-480	4	
5	4015010278	Washer GB96.1-10fZnyc-300HV-480	8	
6	4015010339	Washer GB97.1-10fZnyc-300HV-480	4	
7	4013010296	Nut GB889.1-M10fZnyc-8	4	
8	25010030381	Engine water outlet pipe 34*5*390	1	
9	25010028941	Radiator bracket	1	
10	25010006131	Rubber plate	1	
11	25010006142	Fixing plate	3	
12	4011010976	Bolt GB5783-M10*50fZnyc-8.8-480	4	

C0100-2501002998.S1C-G1

Engine assy

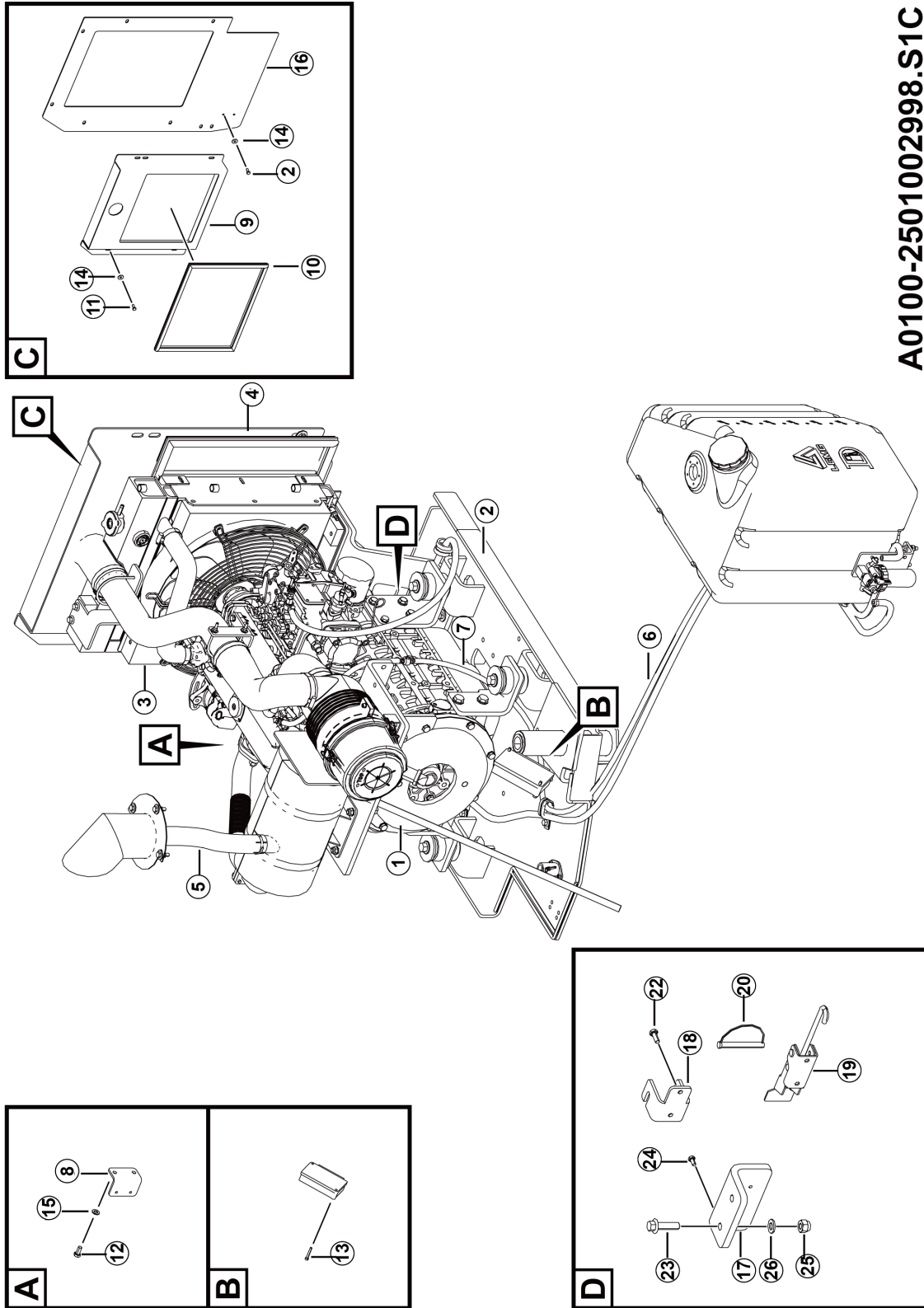


A0100-2501002998.S1C

Item	Part No.	Name	Qty.	Remark
1		Engine drive sys		For illustration
2	25010029081	Engine mount sys	1	
3		Engine cooling sys		For illustration
4		Engine intake sys		For illustration
5		Engine exhaust sys		For illustration
6		Engine fuel sys		For illustration
7	4110705279	Engine assy V2403-M-DI-E3B-LGL1T (1J879-17000)	1	
8	25010029171	Preheating relay bracket	1	
9	25010028981	Radiator plate wldmt	1	
10	25280001021	Sealing strip	1	
11	4011010722	Bolt GB5783-M10*25flznyc-8.8-480	6	
12	4011011114	Bolt GB5786-M12*1.25*25flZnyc-8.8-480	2	
13	4014010306	Screw GB70.1-M6*40flZnyc-8.8-480	2	
14	4015010278	Washer GB96.1-10flZnyc-300HV-480	8	
15	4015010340	Washer GB97.1-12flZnyc-300HV-480	2	
16	25010028672	Adjustment plate	1	
17	25010032761	L-shaped plate 68*70*120	1	
18	25230007353	Zipper fixing plate	1	
19	4190704342	Lock HC-A01	1	
20	4190703890	D-pin 8*65 (With 200mm chain & steel plate)	1	
21	4011010707	Bolt GB5783-M10*30flznyc-8.8-480	2	
22	4011010747	Bolt GB5783-M6*16flZnyc-8.8-480	2	

C0100-2501002998.S1C-G1

Engine assy



A0100-2501002998.S1C



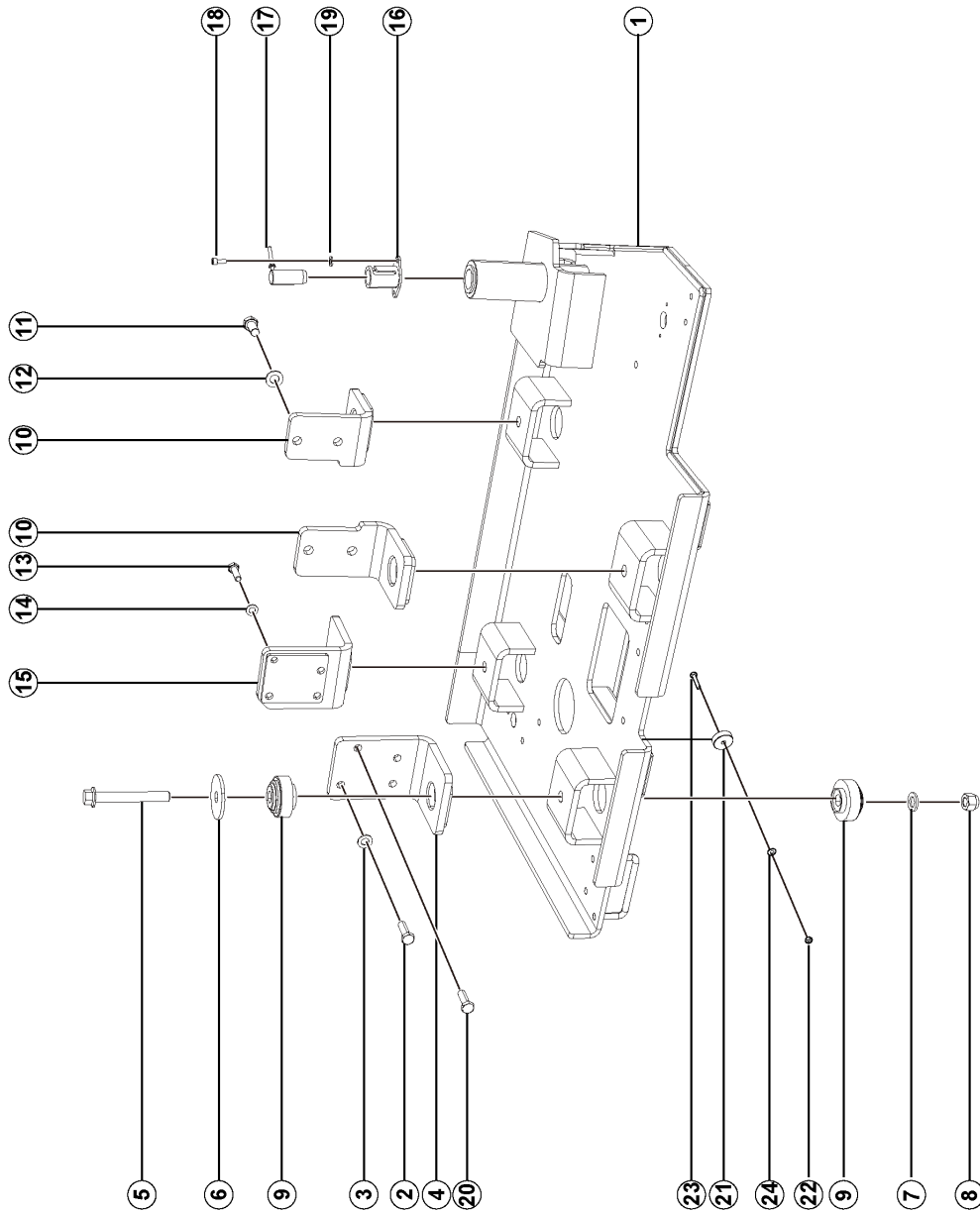
Drive Chassis Components

Item	Part No.	Name	Qty.	Remark
23	4011011104	Bolt GB16674.1-M10*35fIZnyc-8.8-480	2	
24	4011011116	Bolt GB5783-M5*10fIZnyc-8.8-480	1	
25	4013010296	Nut GB889.1-M10fIZnyc-8	2	
26	4015010339	Washer GB97.1-10fIZnyc-300HV-480	2	

C0100-2501002908.S1C-G2

Engine mounting sys

A0100-2501002908.S1C

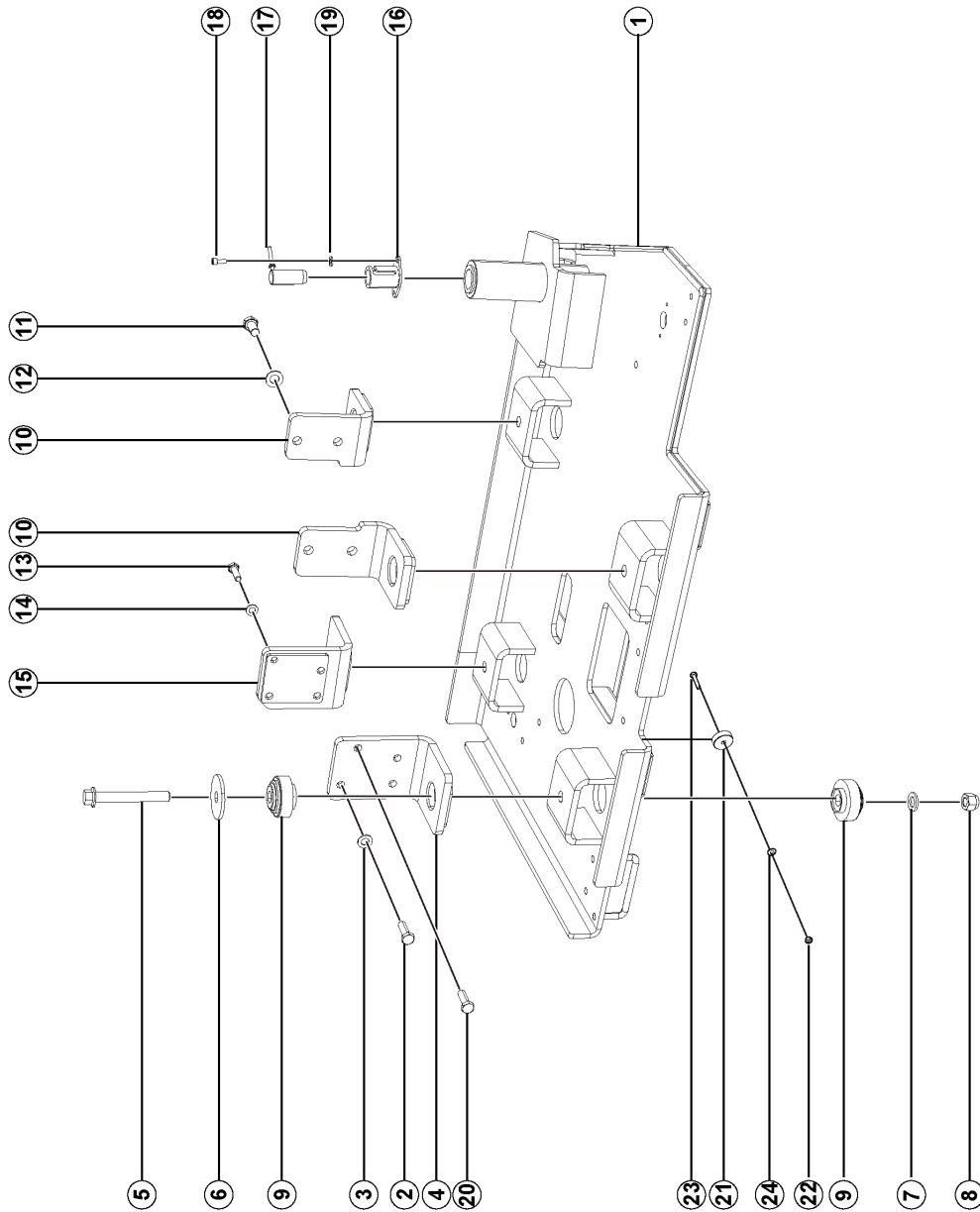


Item	Part No.	Name	Qty.	Remark
1	25010029074	Engine tray distribution assy	1	
2	4011011473	Bolt GB5786-M12*1.25*35flZnyc-8.8-480	6	
3	4015010340	Washer GB97.1-12flZnyc-300HV-480	7	
4	25010015892	Engine FR (LH) outrigger	1	
5	4011011135	Bolt GB16674.1-M16*120flZnyc-10.9-480	4	
6	25010009282	Damper gasket 70*18*5	4	
7	4015010287	Washer GB97.1-16flZnyc-300HV-480	4	
8	4013010302	Nut GB889.1-M16flZnyc-8-480	4	
9	4110703142	Shock absorber MDS66-55	8	
10	25010015932	Engine RR outrigger	2	
11	4011011426	Bolt GB5786-M14*1.5*30flZnyc-8.8-480	4	
12	4015010341	Washer GB97.1-14flZnyc-300HV-480	4	
13	4011011430	Bolt GB5786-M10*1.25*35flZnyc-8.8-480	1	
14	4015010339	Washer GB97.1-10flZnyc-300HV-480	1	
15	25010015872	Engine FR (RH) outrigger	1	
16	25010016661	Tray restraining sleeve	1	
17	25010016651	Engine tray retaining rod	1	
18	4014010357	Screw GB70.1-M5*12flznyc-8.8-480	2	
19	4015010283	Washer GB97.1-5flZnyc-300HV-480	2	
20	4011011657	Bolt GB5786-M12*1.25*40flZnyc-8.8-480	1	
21	25010032871	Block	1	
22	4013010297	Nut GB889.1-M8flznyc-8-480	1	

C0100-2501002908.S1C-G2

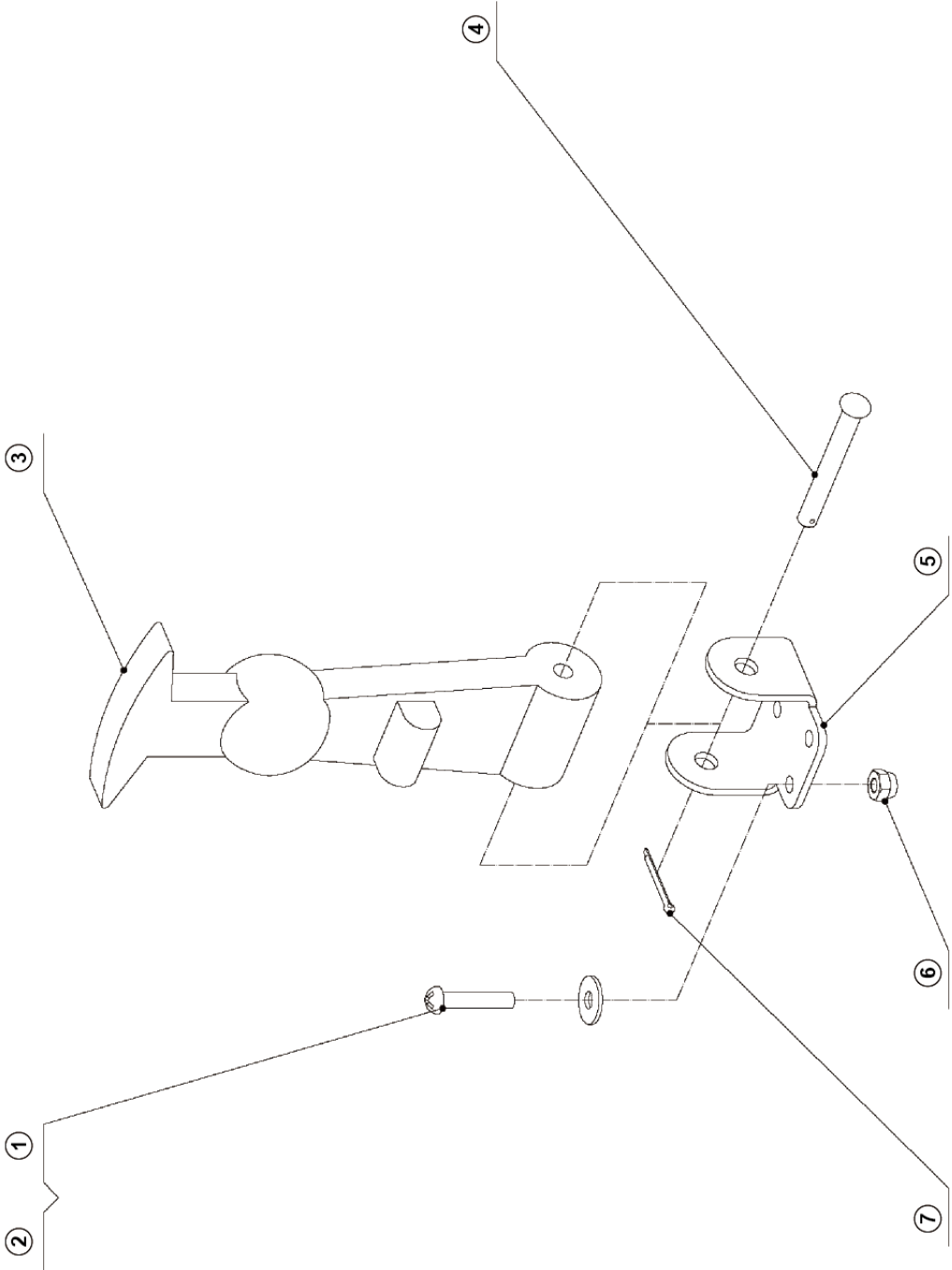
Engine mounting sys

A0100-2501002908.S1C



C2900-2529000289.S-G1

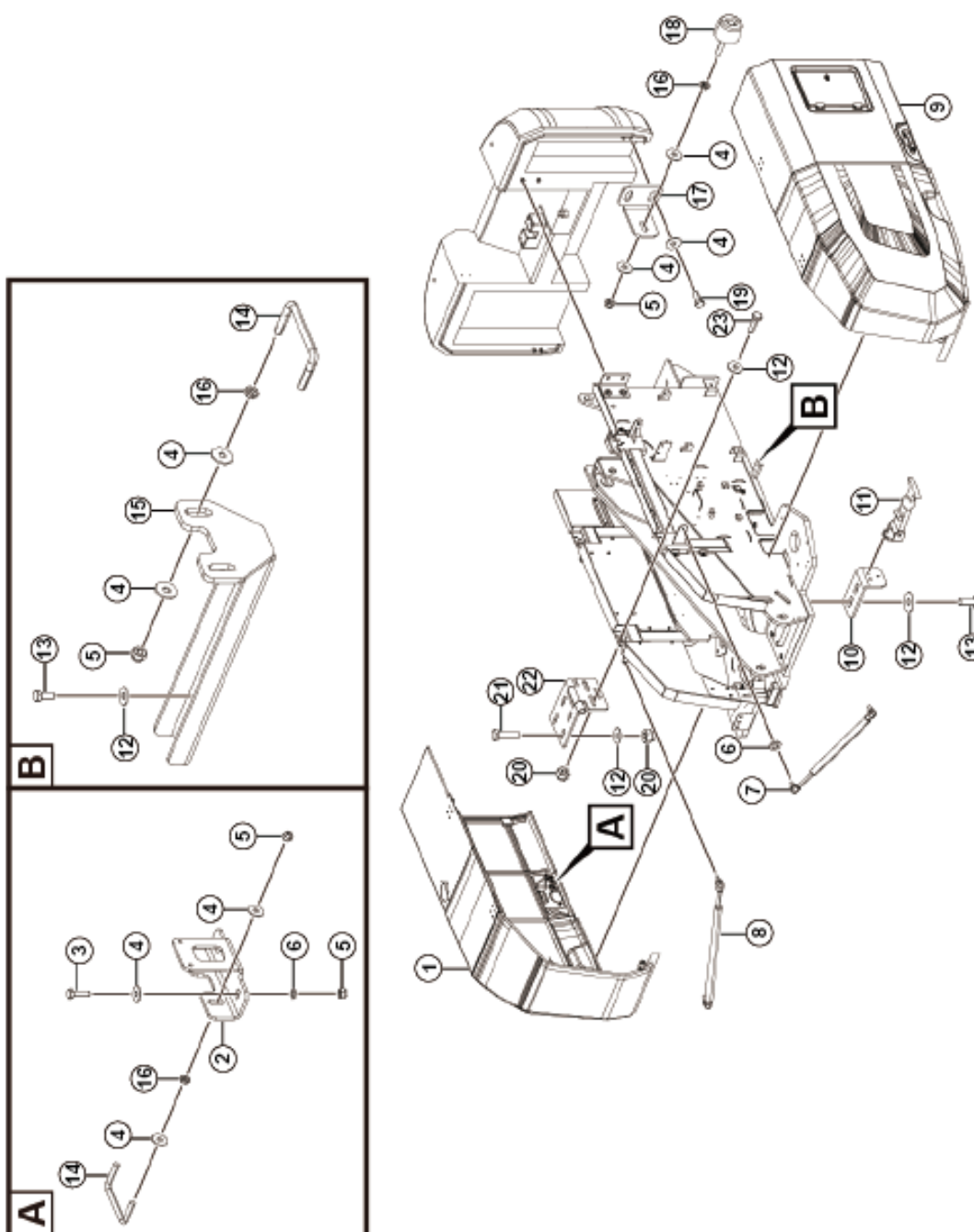
Latch assy



12900-2529000289.S

C2900-2529002586.S1A-G1

Covering accessories

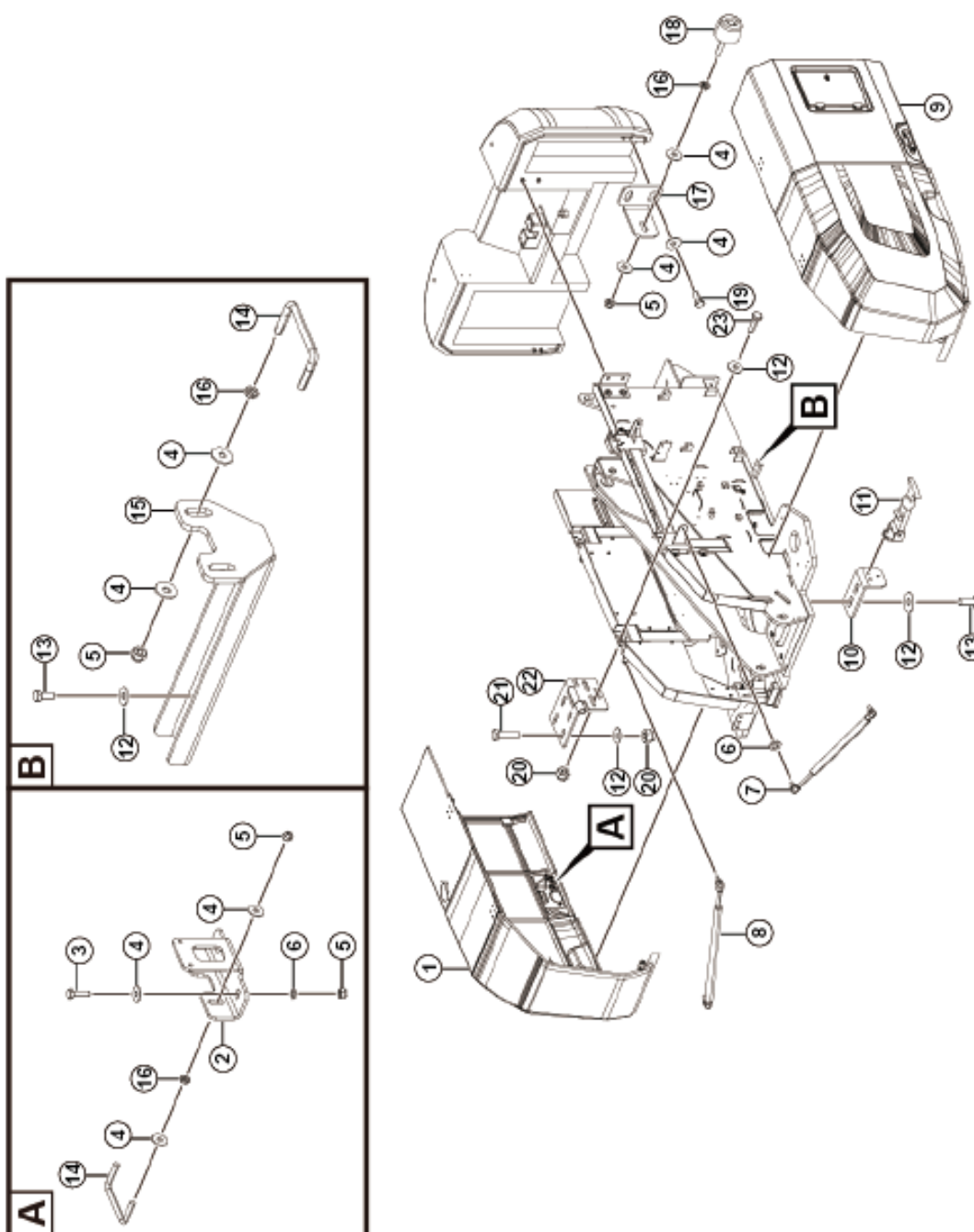


I2900-2529002586.S1A

Item	Part No.	Name	Qty.	Remark
1		LH hood assy		For illustration
2		LH FR mounting plate		For illustration
3	4011010727	Bolt GB5783-M10*35flZnyc-8.8-480	2	
4	4015010278	Washer GB96.1-10flZnyc-300HV-480	16	
5	4013010296	Nut GB889.1-M10flznyc-8	8	
6	4015010339	Washer GB97.1-10flZnyc-300HV-480	10	
7	25290021971	LH FR hood gas spring 371-506/1100N	2	
8	25290021981	RH FR hood gas spring 487-602.5/1350N	2	
9	25290023821	RH hood assy	1	
10	25290024571	Pull button mounting plate	2	
11	25290002891	Latch assy	2	
12	4015010289	Washer GB96.1-8flZnyc-300HV-480	46	
13	4011010711	Bolt GB5783-M8*20flznyc-8.8-480	6	
14	25230011162	Lock post	2	
15	25290023912	RH FR hood lock bracket wldmt	1	
16	4013010349	Nut GB6172.1-M10flznyc-05-480	6	
17	25290020282	Bent plate	2	
18	25290005903	Shock absorbing pad	2	
19	4011010722	Bolt GB5783-M10*25flznyc-8.8-480	2	
20	4013010297	Nut GB889.1-M8flznyc-8-480	28	
21	4011011059	Bolt GB12-M8*30flZnyc-8.8-480	16	
22	25290018182	Hinge	4	

C2900-2529002586.S1A-G1

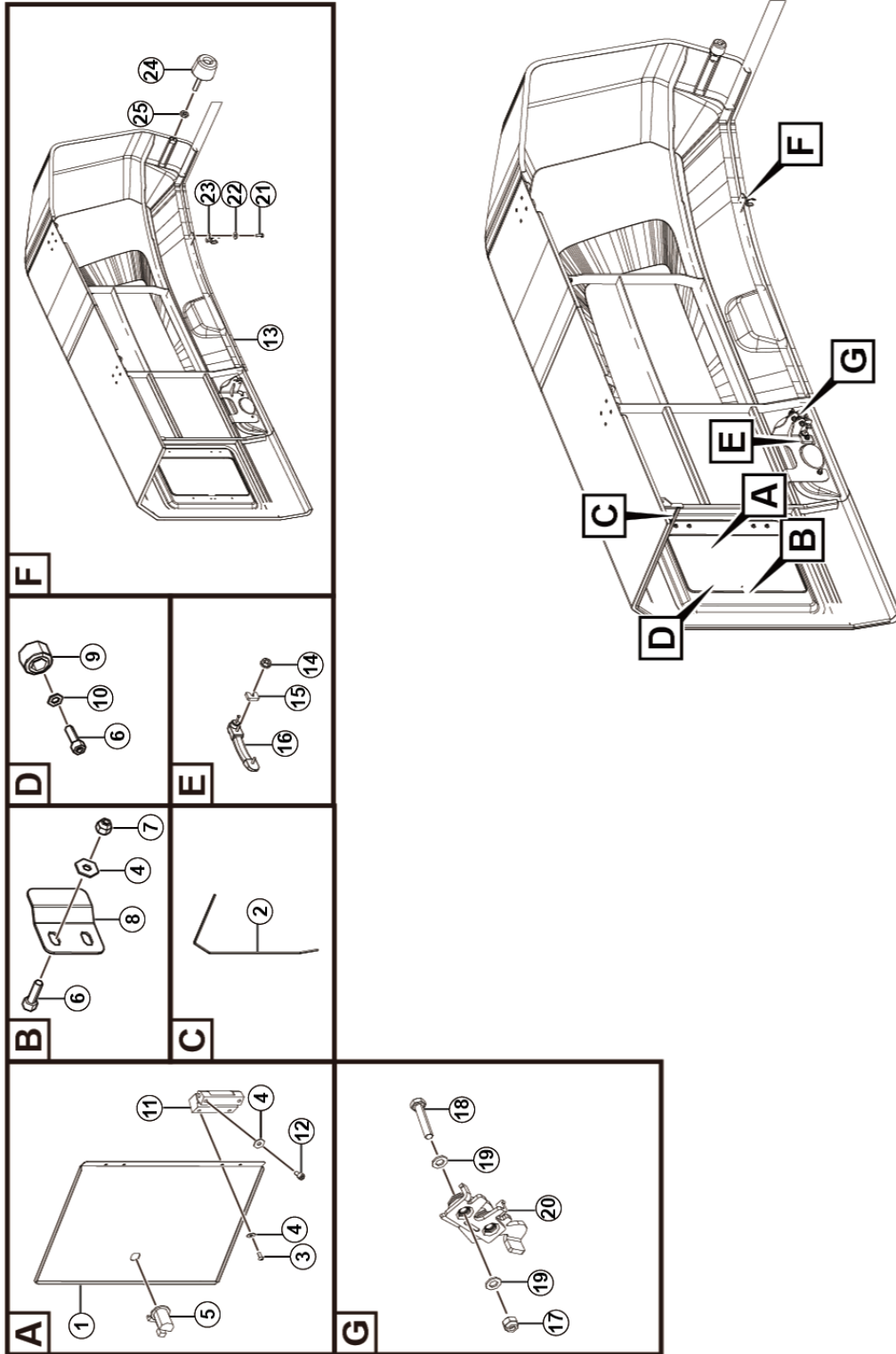
Covering accessories



12900-2529002586.S1A

C2900-2529002382.S1A-G1

RH hood assy

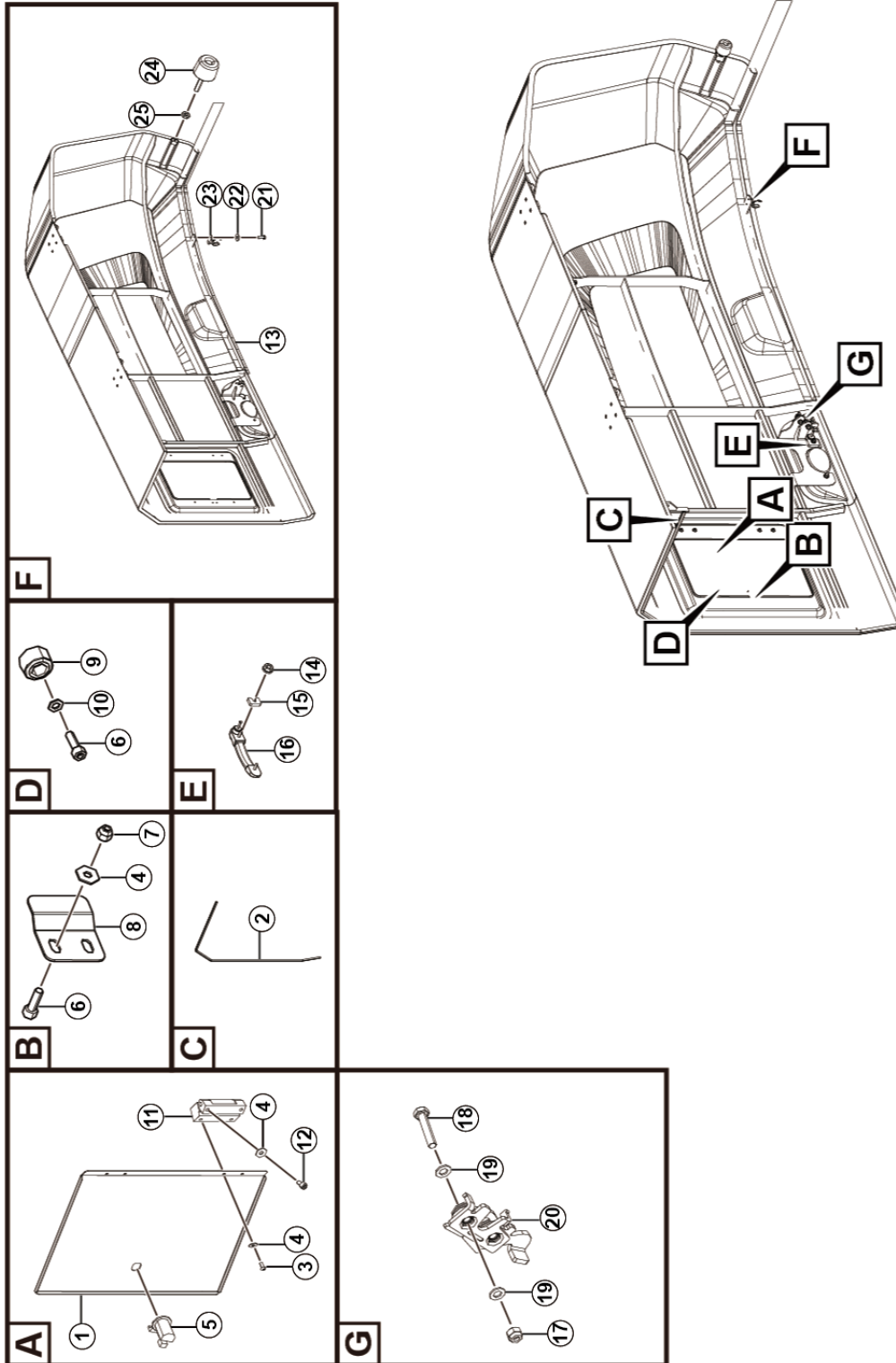


I2900-2529002382.S1A

Item	Part No.	Name	Qty.	Remark
1	25290013282	Hood small door	1	
2	25290024581	Rubber strip	1	
3	4014010490	Screw GB70.2-M5*10flZnyc-8.8-480	4	
4	4015010345	Washer GB96.1-5flZnyc-300HV-480	12	
5	4190707746	Rotor lock MS714-3	1	
6	4014010131	Screw GB70.1-M5*16flznyc-8.8-480	4	
7	4013010305	Nut GB889.1-M5flznyc-8-480	4	
8	25290018092	Door lock mounting plate	1	
9	25290022561	Rubber heel	2	
10	4015010283	Washer GB97.1-5flZnyc-300HV-480	2	
11	4190706171	Hinge CL219-4R-2	2	
12	4014010593	Screw GB70.1-M5*8flZnyc-8.8-480	4	
13	25290023813	RH hood wldmt assy	1	
14	4013010386	Nut GB6177.1-M8flZnyc-8-480	2	
15	25290017621	Handle reinforcing plate heel	1	
16		Outer handle assy NBS714-26605010		For illustration
17	4013010297	Nut GB889.1-M8flznyc-8-480	2	
18	4011010726	Bolt GB5783-M8*40flZnyc-8.8-480	2	
19	4015010280	Washer GB97.1-8flZnyc-300HV-480	4	
20	4190705114	Lock 52334-01 (Telmark)	1	
21	4014010125	Screw GB818-M4*10flZnyc-4.8-480	2	
22	4015010365	Washer GB96.1-4flZnyc-300HV-480	2	

C2900-2529002382.S1A-G1

RH hood assy

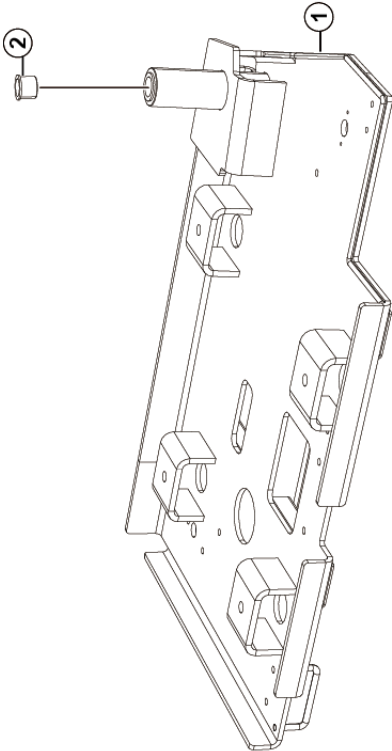


I2900-2529002382.S1A

C0100-2501002907.S1A-G1

Engine tray delivered assembled

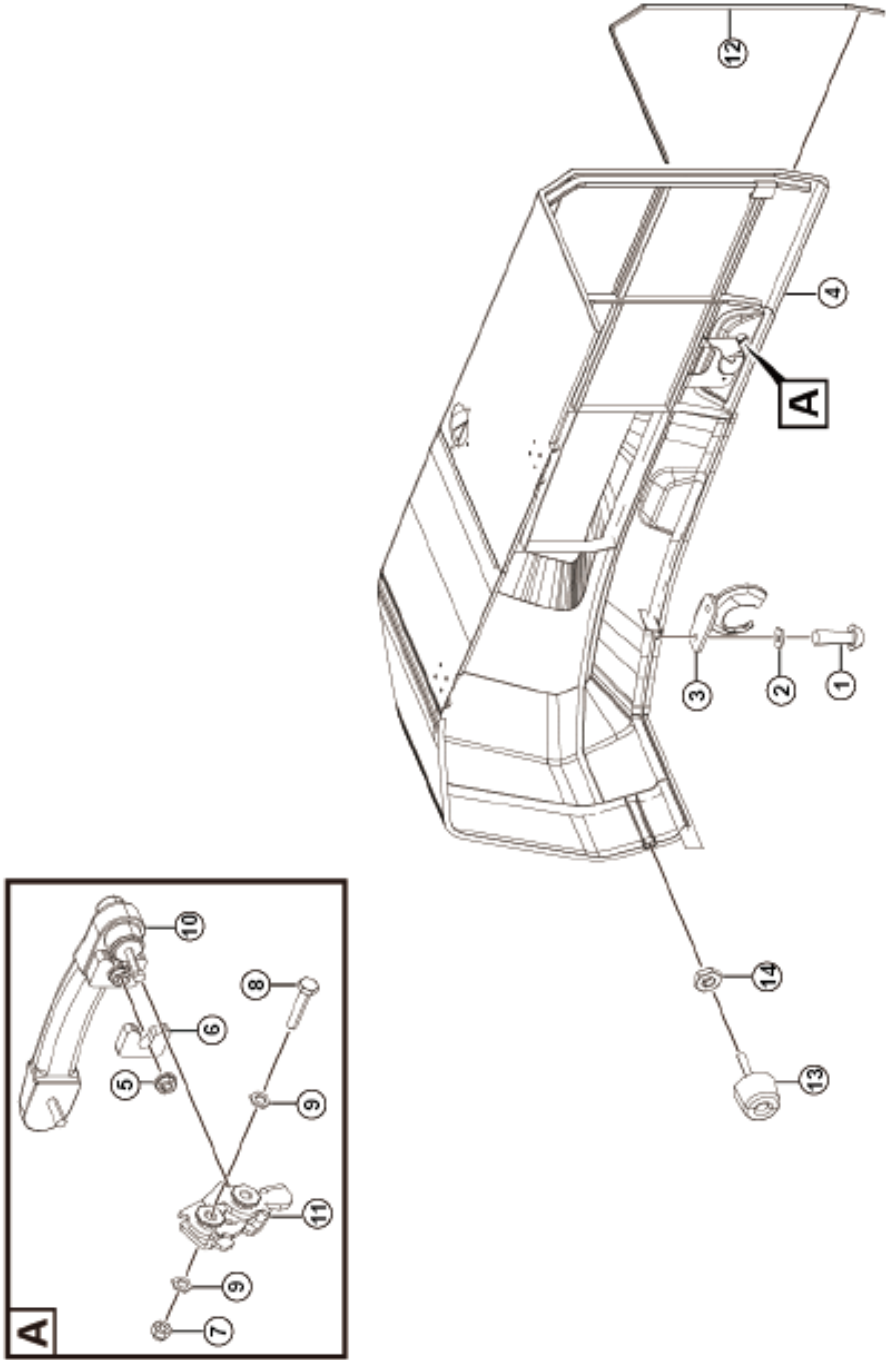
A0100-2501002907.S1A



C2900-2529002623.S1A-G1

LH hood assy

12900-2529002623.S1A





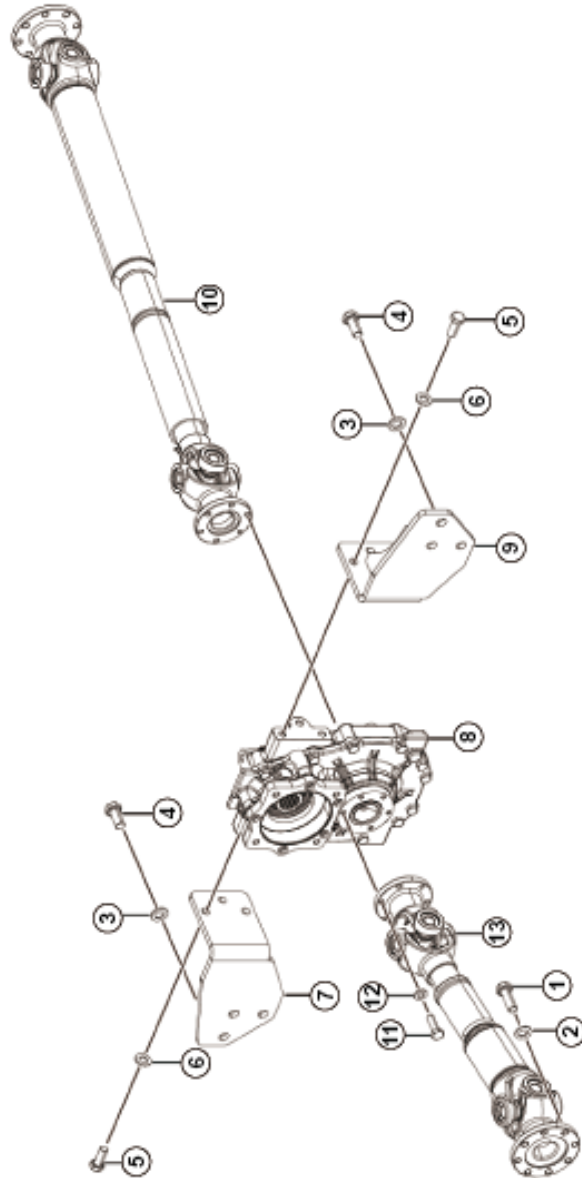
Drive Chassis Components

Item	Part No.	Name	Qty.	Remark
1	4014010125	Screw GB818-M4*10flZnyc-4.8-480	2	
2	4015010365	Washer GB96.1-4flZnyc-300HV-480	2	
3	25290019901	Spherical buckle	1	
4	25290026283	LH hood distribution assy	1	
5	4013010386	Nut GB6177.1-M8flZnyc-8-480	2	
6	25290017621	Handle reinforcing plate heel	1	
7	4013010297	Nut GB889.1-M8flzncyc-8-480	2	
8	4011010726	Bolt GB5783-M8*40flZnyc-8.8-480	2	
9	4015010280	Washer GB97.1-8flZnyc-300HV-480	4	
10		Outer handle assy NBS714-26605010		For illustration
11	4190705114	Lock 52334-01 (Telmark)	1	
12	25290019882	FR hood rubber strip	1	
13	25290005903	Shock absorbing pad	1	
14	4013010349	Nut GB6172.1-M10flzncyc-05-480	1	

C8200-2582000026.S1A-G1

Drive shaft assy

F8200-2582000026.S1A



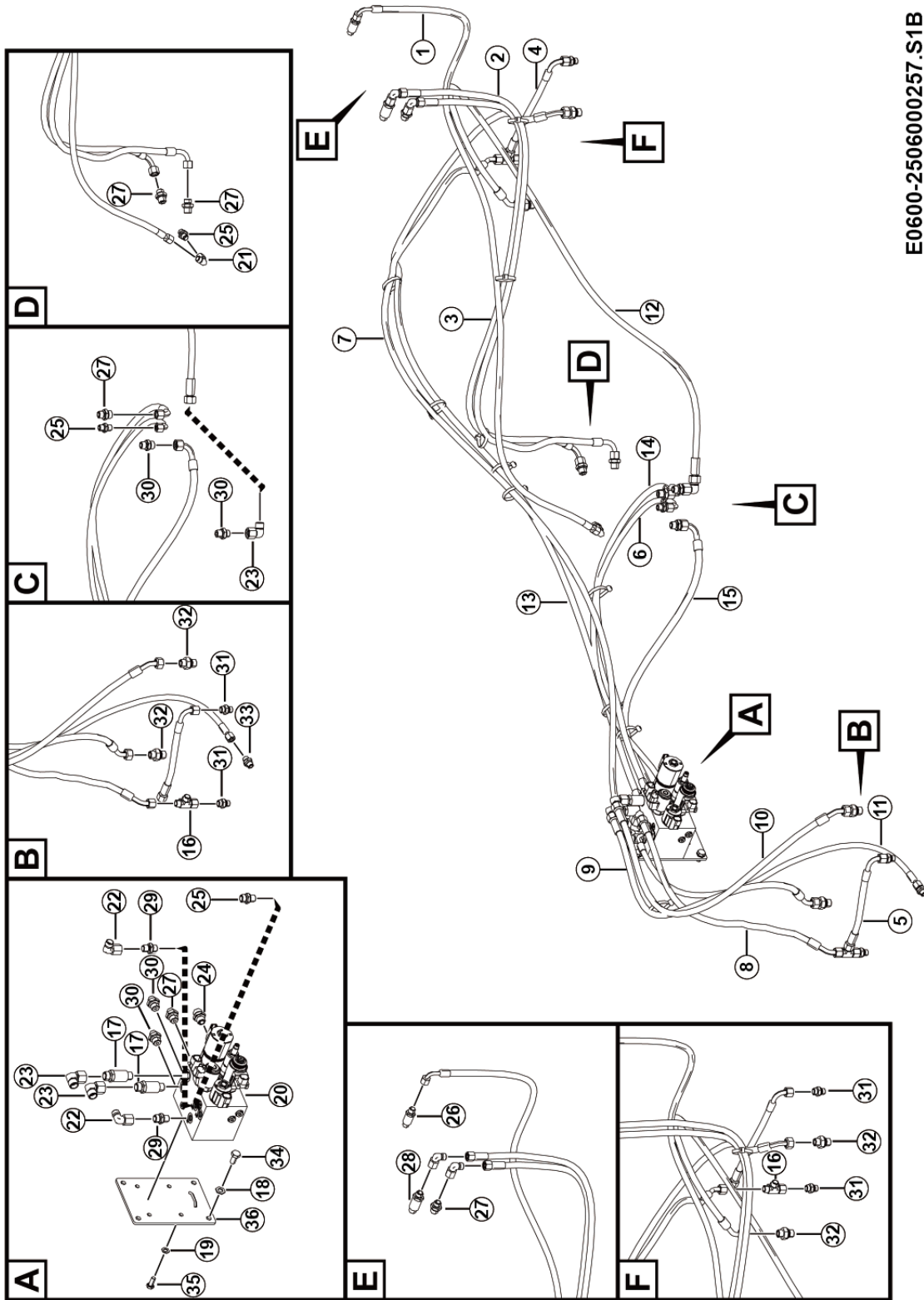


Drive Chassis Components

Item	Part No.	Name	Qty.	Remark
1	4011010879	Bolt GB5783-M10*30flZnyc-10.9-480	16	
2	4015010339	Washer GB97.1-10flZnyc-300HV-480	16	
3	4015010287	Washer GB97.1-16flZnyc-300HV-480	6	
4	4011010864	Bolt GB5783-M16*35flZnyc-10.9-480	6	
5	4011011462	Bolt GB5783-M14*35flZnyc-10.9-480	6	
6	4015010341	Washer GB97.1-14flZnyc-300HV-480	6	
7	25820000251	Transfer box (RH) mounting plate wldmt	1	
8	4110705803	Transfer case CA588515S	1	
9	25820000241	Transfer box (LH) mounting plate wldmt	1	
10	4110705955	RR drive shaft LG82-HCDZ-1150	1	
11	4011011163	Bolt GB5783-M8*25flZnyc-10.9-480	12	
12	4015010280	Washer GB97.1-8flZnyc-300HV-480	12	
13	4110705808	FR drive shaft LG82-QCDZ-610	1	

C0600-2506000257.S1B-G1

Service brake assy



E0600-2506000257.S1B

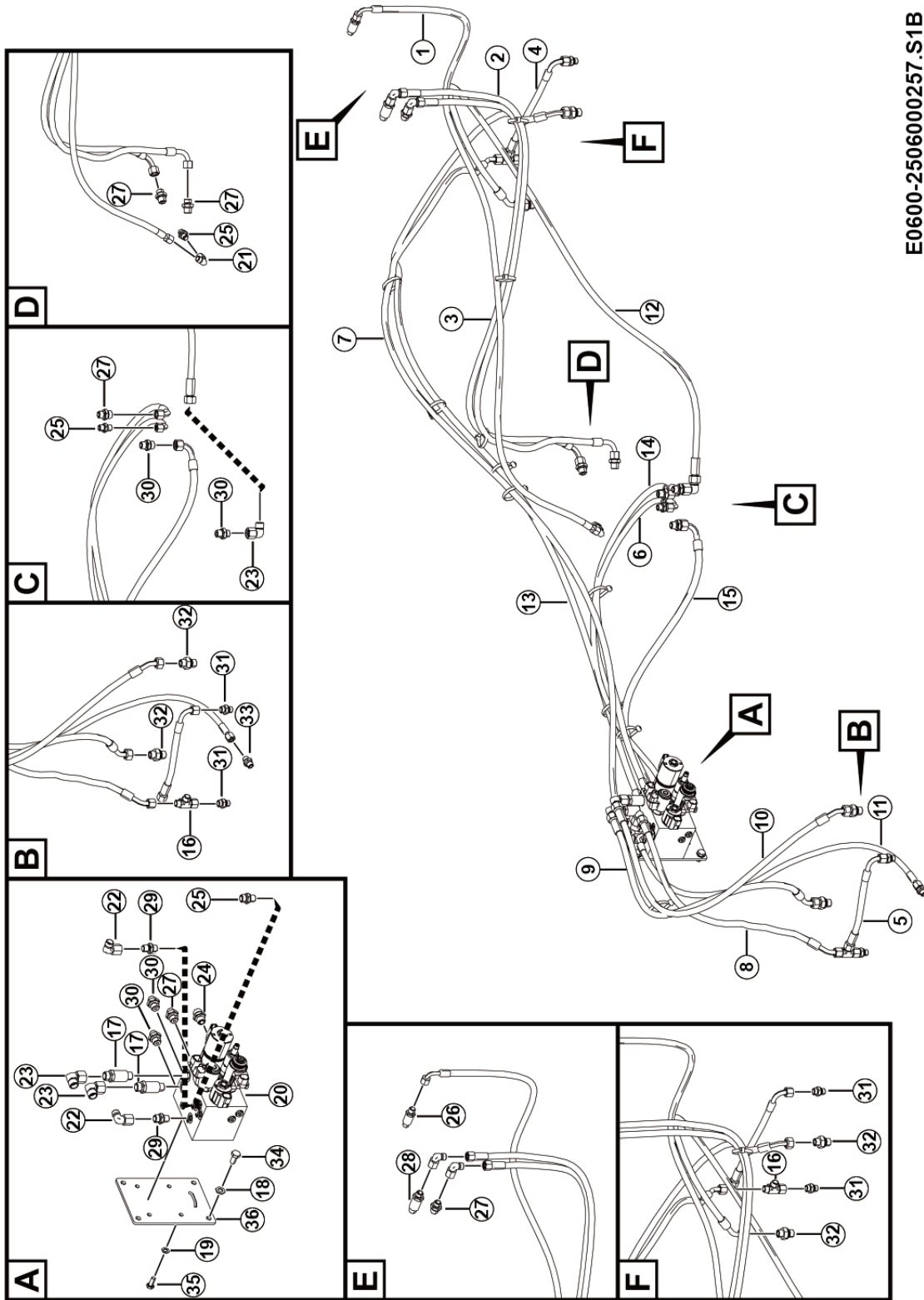


Drive Chassis Components

Item	Part No.	Name	Qty.	Remark
1	4120708249-005	Hose F481CACF080804-1700	1	
2	4120711009-001	Hose F481CACF101005-1400-PG600	1	
3	4120711010-001	Hose F481CACF101005-1500-PG650	1	
4	4120709263-015	Hose F481CACF101005-370	1	
5	4120709263-016	Hose F481CACF101005-370	1	
6	4120704980-034	Hose F471TCCACF080804-940	1	
7	4120709597-006	Hose F481CACE101005-2300	1	
8	4120709587-005	Hose F481CACE101005-850	1	
9	4120711783	Hose F481CACE121205-850	1	
10	4120711782	Hose F481CACE121205-950	1	
11	4120705075-007	Hose F481CACF080804-1180	1	
12	4120711781	Hose FC402CACE121205-1800	1	
13	4120711780	Hose FC402CACE121205-2300	1	
14	4120705461-006	Hose FC402CACF101005-1050	1	
15	4120709916-002	Hose FC402CACF121206-770	1	
16	4120001168	Tee EL10LOMDCF	2	
17	4120706890	Elevated joint GE12LREDOMDCF-H60	2	
18	4015010339	Washer GB97.1-10flZnyc-300HV-480	4	
19	4015010280	Washer GB97.1-8flZnyc-300HV-480	4	
20	4120709376	Differential brake steering control valve ST5699-AB0B	1	
21	4190000698	Joint EW08LOMDA3C	1	
22	4120001166	Joint EW10LOMDCF	5	

C0600-2506000257.S1B-G1

Service brake assy



E0600-2506000257.S1B

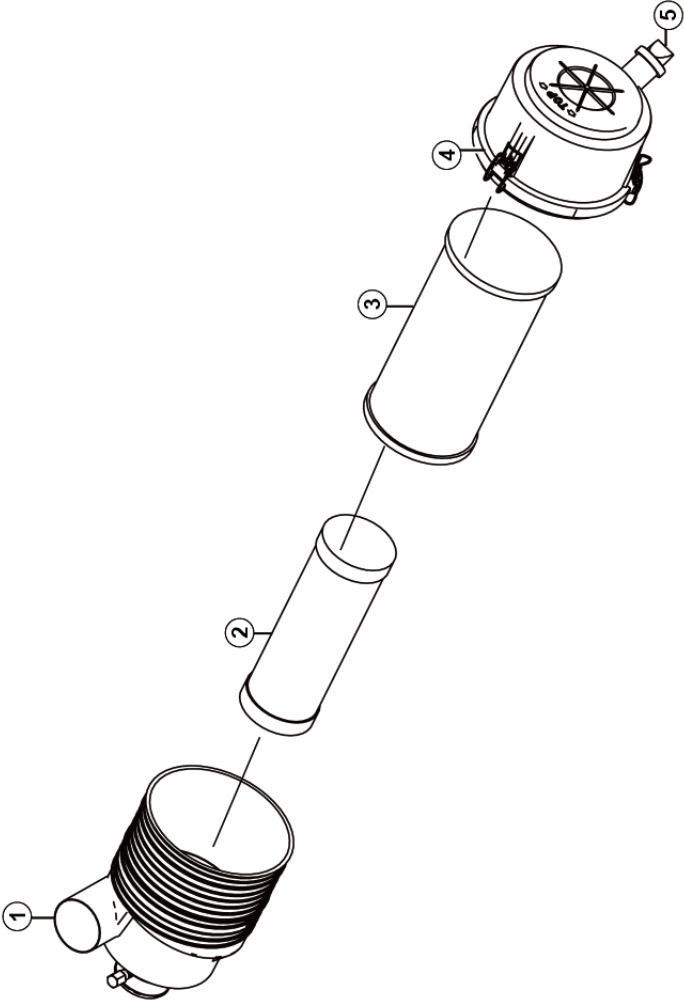


Drive Chassis Components

Item	Part No.	Name	Qty.	Remark
23	4129900314	Joint EW12LOMDA3C	3	
24	4120001391	Joint GE08LR3/8EDOMDCF	1	
25	4120001170	Joint GE08LREDOMDCF	3	
26	4120706852	Joint GE08LREDOMDCF-H55	1	
27	4120001165	Joint GE10LR3/8EDOMDCF	5	
28	4120709279	Joint GE10LR3/8EDOMDCF-H60	1	
29	4120001188	Joint GE10LREDOMDCF	2	
30	4120001224	Joint GE12LREDOMDCF	4	
31	4120709264	Joint GEO10LM14*1.5OMDCF	4	
32	4120708639	Joint GEO12LM18*1.5OMDCF	4	
33	4120704961	Straight joint GE08L9/16UNFOMDCF	1	
34	4011010748	Bolt GB5783-M10*20fZnyc-8.8-480	4	
35	4011010711	Bolt GB5783-M8*20fZnyc-8.8-480	4	
36	25060002551	Valve mounting plate wldmt	1	

C0100-4110001498-G2

Air filter G068663



A0100-4110001498



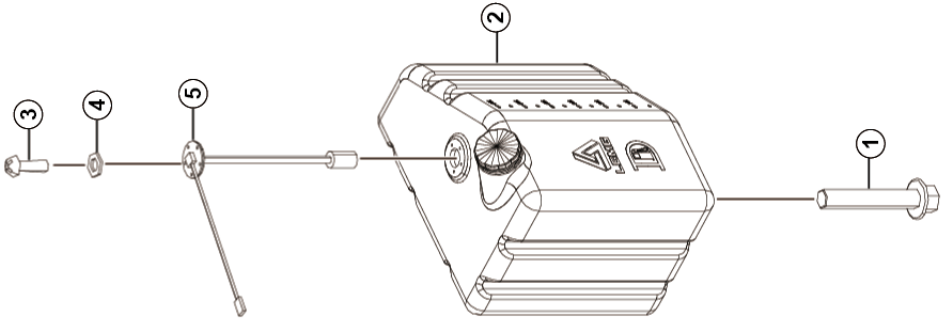
Drive Chassis Components

Item	Part No.	Name	Qty.	Remark
1	4110001498002	Housing R000666	1	
2	4110001498003	Safety filter element P822769	1	
3	4110001498004	Primary filter element P822768	1	
4	4110001498005	Rear cover P834630	1	
5	4110001498006	Exhaust valve P808427	1	

C0200-2502000285.S1C

Fuel tank assy

A0200-2502000285.S1C



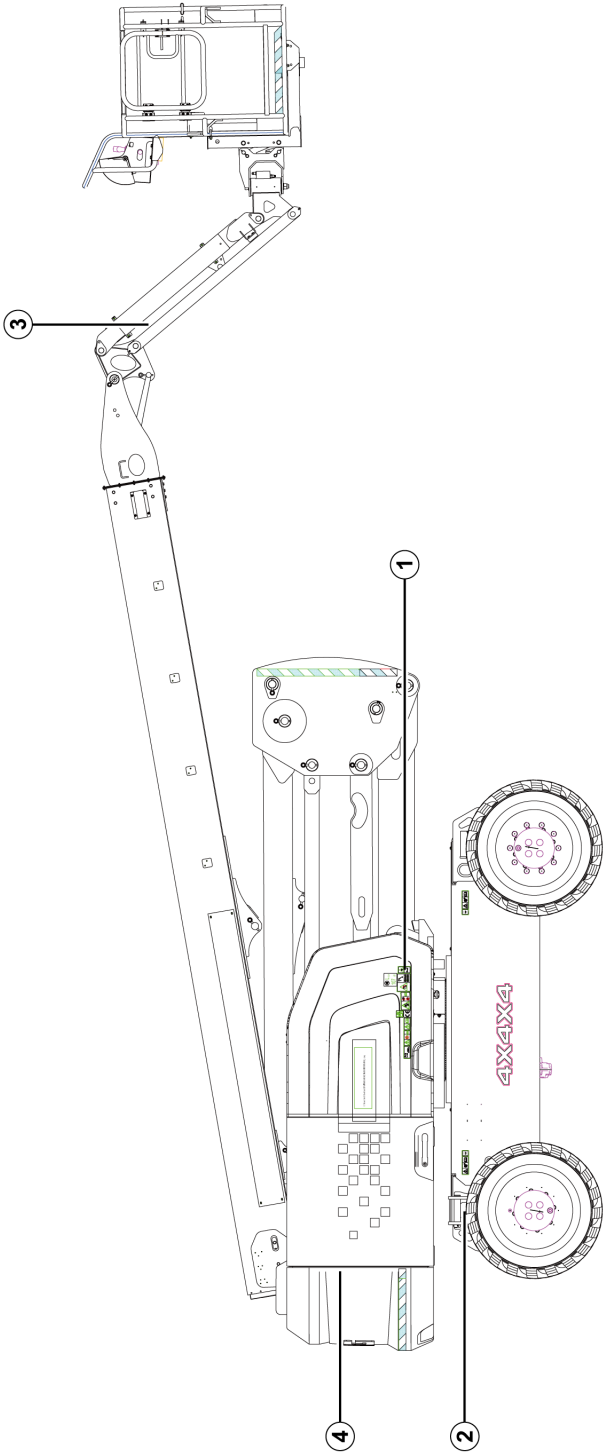


Drive Chassis Components

Item	Part No.	Name	Qty.	Remark
1	4011011009	Bolt GB16674.1-M10*55flZnyc-8.8-480	3	
2	4110706467	No longer used-Plastic fuel tank assy LG02-RYX-013	1	
3	4014010108	Screw GB818-M5*14flZnyc-4.8-480	5	
4	4015010283	Washer GB97.1-5flZnyc-300HV-480	5	
5	4110703334	Oil level sensor 104911004	1	

C3713-2537130021.S1A

Parts recommendation list



A3713-2537130021.S1A



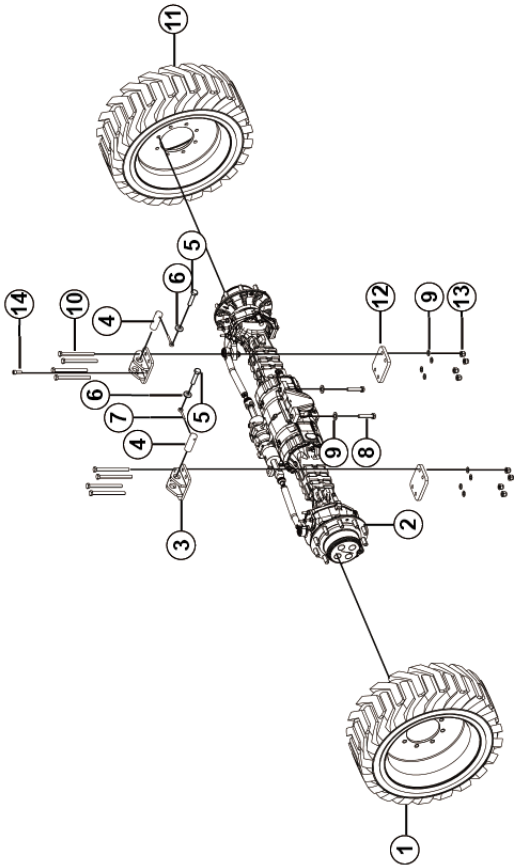
Drive Chassis Components

Item	Part No.	Name	Qty.	Remark
1	4190709501	Decal kit 2534003549	1	
2	4120708714001	Seal kit 24A300685S	1	
3	4120705607002	Fly jib cylinder seal kit 24A301730S	1	
4		Spray paint RAL3020		For illustration

C0400-2504000689.S1A-G1

FR axle assy

B0400-2504000689.S1A



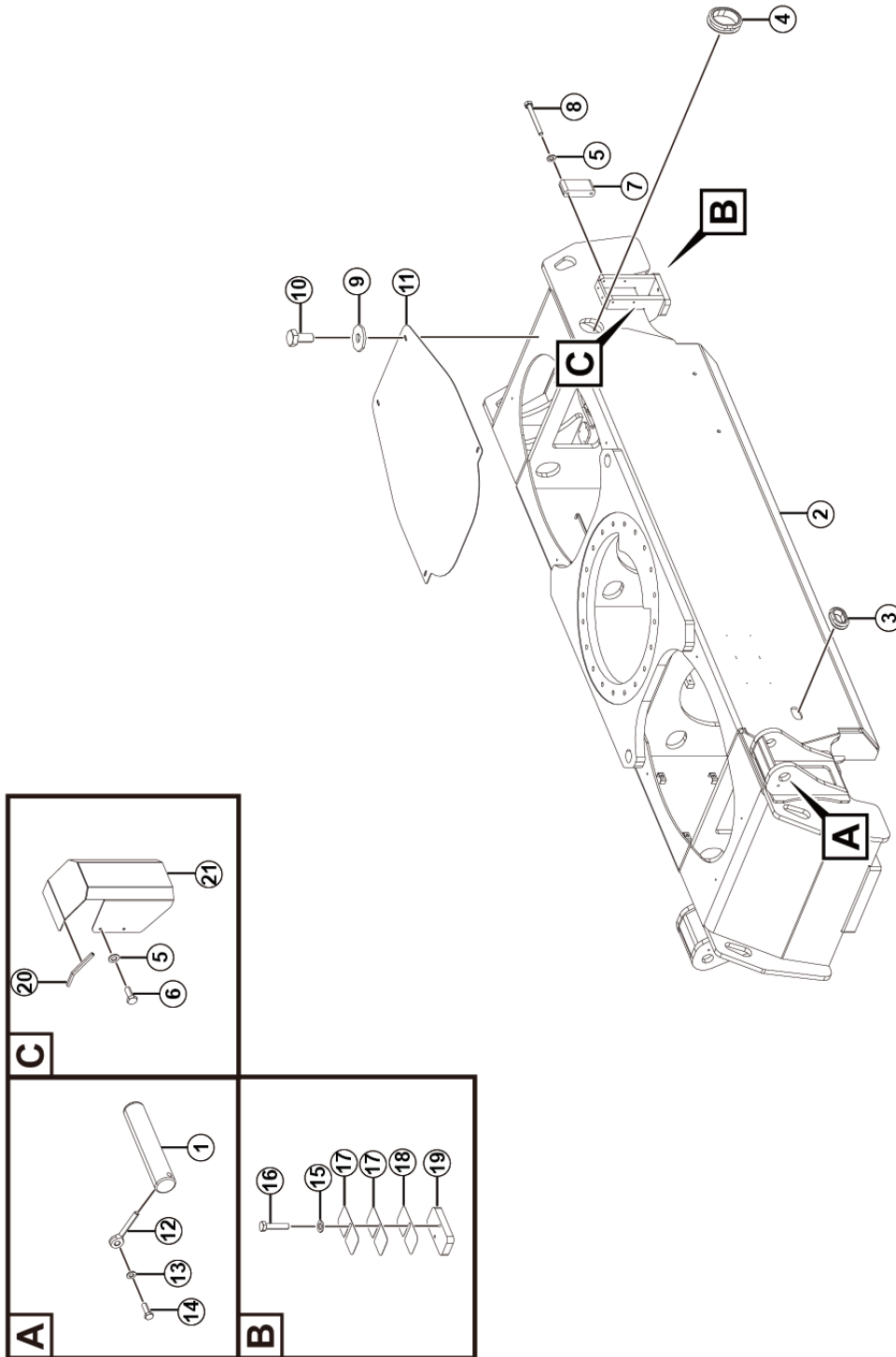


Drive Chassis Components

Item	Part No.	Name	Qty.	Remark
1	4110705243	Wheel and tyre assy 355/55D625 RH	1	
2	4110705388	FR axle CA581494S	1	
3	25040006862	FR axle connecting frame	2	
4	25040006911	Shaft 44.45*127	2	
5	4011010722	Bolt GB5783-M10*25flznyc-8.8-480	2	
6	4015010339	Washer GB97.1-10flznyc-300HV-480	6	
7	25200000641	Latch	2	
8	4011010763	Bolt GB5782-M20*100flznyc-12.9-480	4	
9	4015010338	Washer GB97.1-20flznyc-300HV-480	20	
10	4011011495	Bolt GB5782-M20*230flznyc-10.9-480	8	
11	4110705242	Wheel and tyre assy 355/55D625 LH	1	
12	25040006902	Fixing mounting plate under axle	2	
13	4013010401	Nut GB889.1-M20flznyc-10-480	8	
14	4014010453	Screw GB70.1-M10*25flznyc-8.8-480	4	

C1600-2516005027.S1A-G1

Chassis assy



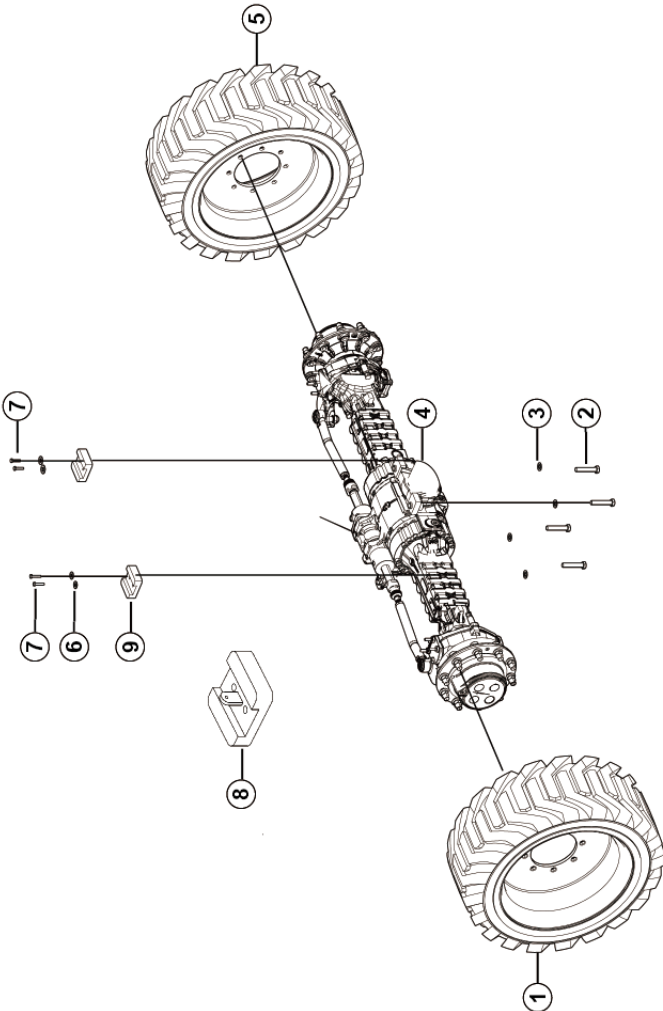
D1600-2516005027.S1A

Item	Part No.	Name	Qty.	Remark
1	25160034651	Floating hyd cylinder pin	2	
2	25160050262	Chassis wldmt	1	
3	25160000401	Rubber sleeve	2	
4	25160035091	Rubber sleeve III	9	
5	4015010280	Washer GB97.1-8flZnyc-300HV-480	4	
6	4011010711	Bolt GB5783-M8*20flznc-8.8-480	2	
7	25110001502	Nylon heel	1	
8	4011011466	Bolt GB5782-M8*70flZnyc-8.8-480	2	
9	4015010289	Washer GB96.1-8flZnyc-300HV-480	8	
10	4011010970	Bolt GB5783-M8*16flznc-8.8-480	8	
11	25160034592	Frame cover plate	2	
12	25200000641	Latch	2	
13	4015010339	Washer GB97.1-10flZnyc-300HV-480	2	
14	4011010707	Bolt GB5783-M10*30flznc-8.8-480	2	
15	4015010340	Washer GB97.1-12flZnyc-300HV-480	4	
16	4011010981	Bolt GB5783-M12*50flZnyc-8.8-480	4	
17	25160034741	Adjustment limit adjustment plate	4	
18	25160034841	Adjustment limit adjustment plate II	2	
19	25050003954	RR axle limit adjustment plate	2	
20	4190707275	Clip rubber bar 492990 155mm	1	
21	25110001632	Floating valve shield	1	

C0500-2505000398.S1C-G1

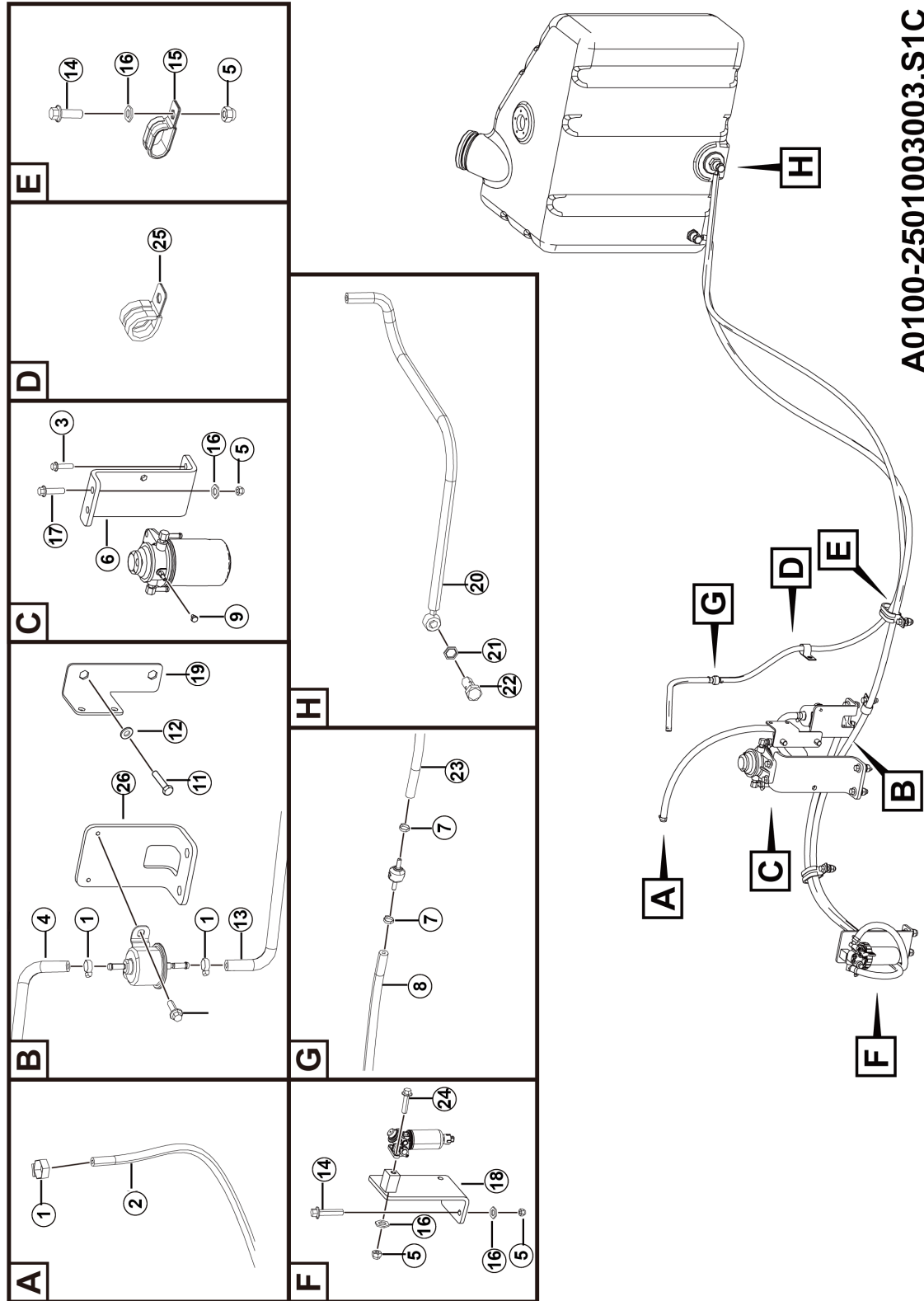
RR axle assy

B0500-2505000398.S1C



C0100-2501003003.S1C-G1

Engine fuel sys



A0100-2501003003.S1C

Item	Part No.	Name	Qty.	Remark
1	4017010173	Hose clamp JB8870-D16	7	
2	4049010263-001	Fuel hose LZB103-8*750-P	1	
3	4011011104	Bolt GB16674.1-M10*35flZnyc-8.8-480	2	
4	4049010132-009	Fuel hose LZB103-8*450-P	1	
5	4013010296	Nut GB889.1-M10flznyc-8	11	
6	25010018281	Fine filter bracket	1	
7	4017000040	Hose clamp JB8870-D12	3	
8	4049010114-008	Fuel hose LZB103-5*400-P	1	
9	25010004301	Filter plug	1	
10	4011010754	Bolt GB16674.1-M6*12flZnyc-8.8-480	2	
11	4011011631	Bolt GB5786-M12*1.25*20flZnyc-8.8-480	2	
12	4015010340	Washer GB97.1-12flZnyc-300HV-480	2	
13	4049010121-002	Fuel hose LZB103-8*1300-P	1	
14	4011010712	Bolt GB16674.1-M10*30flZnyc-8.8-480	7	
15	4041010653	Pipe clamp LGB169-B25*12.5	2	
16	4015010339	Washer GB97.1-10flZnyc-300HV-480	11	
17	4011011086	Bolt GB16674.1-M10*40flZnyc-8.8-480	2	
18	25010031791	Oil-water separator bracket wldmt	1	
19	25010031391	L-shaped plate 45*55*130/3	1	
20	4049010268-001	Fuel hose LZB103-D8*3350-P	1	
21	4015000121	Washer JB982-14	4	
22	4011011113	Bolt JB999-M14*1.5*32flZnyc-8.8-480	2	

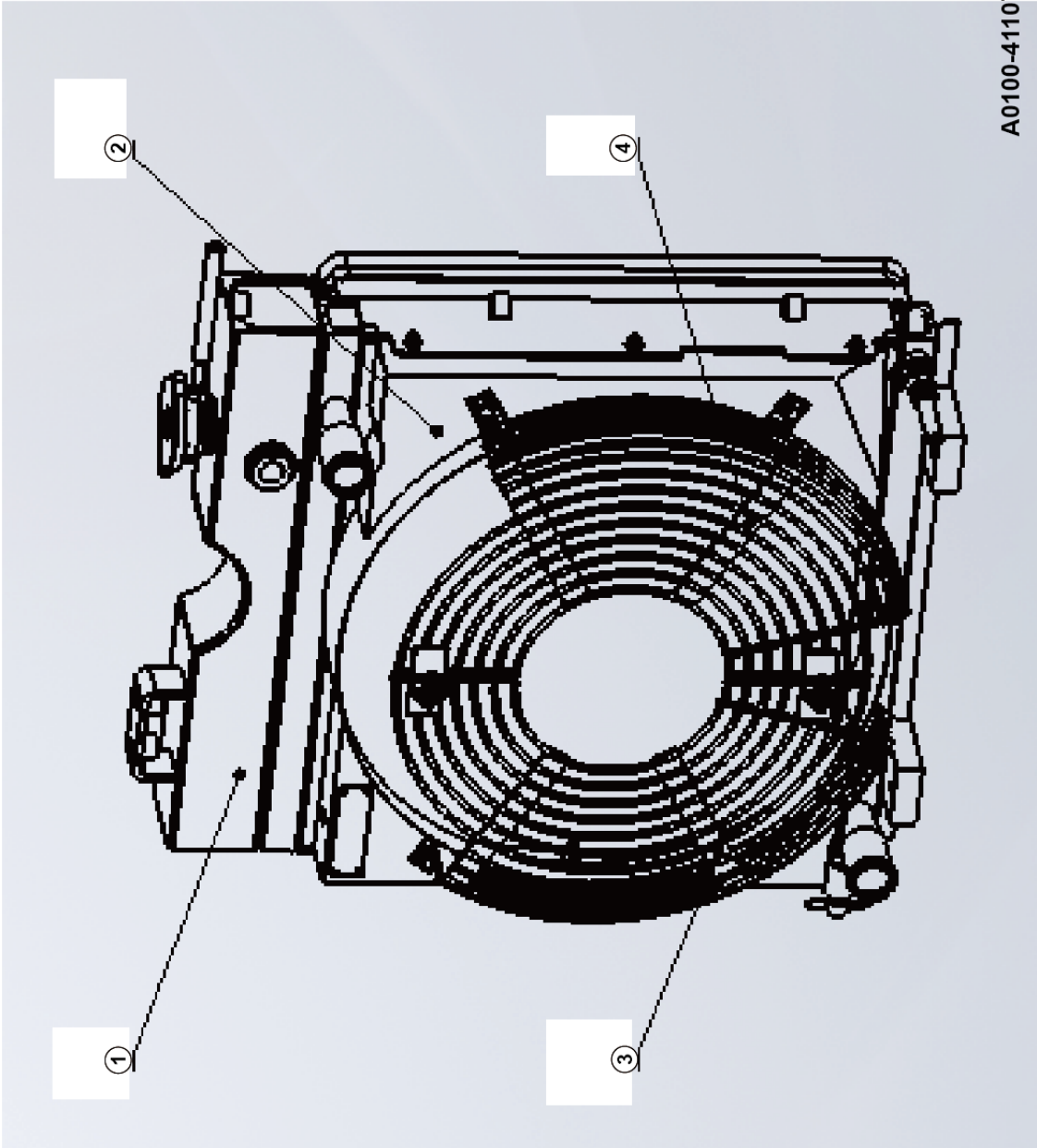


Drive Chassis Components

Item	Part No.	Name	Qty.	Remark
23	4049010266-001	Fuel hose LZB103-D5*2000-P	1	
24	4011011077	Bolt GB16674.1-M8*70flZnyc-8.8-480	1	
25	4041002384	Pipe clamp LGB169-A25*12.5	2	
26	25010032591	Electronic pump bracket 80*122*60	1	

C0100-4110703262

Radiator assy M9115616 (11133)



A0100-4110703262

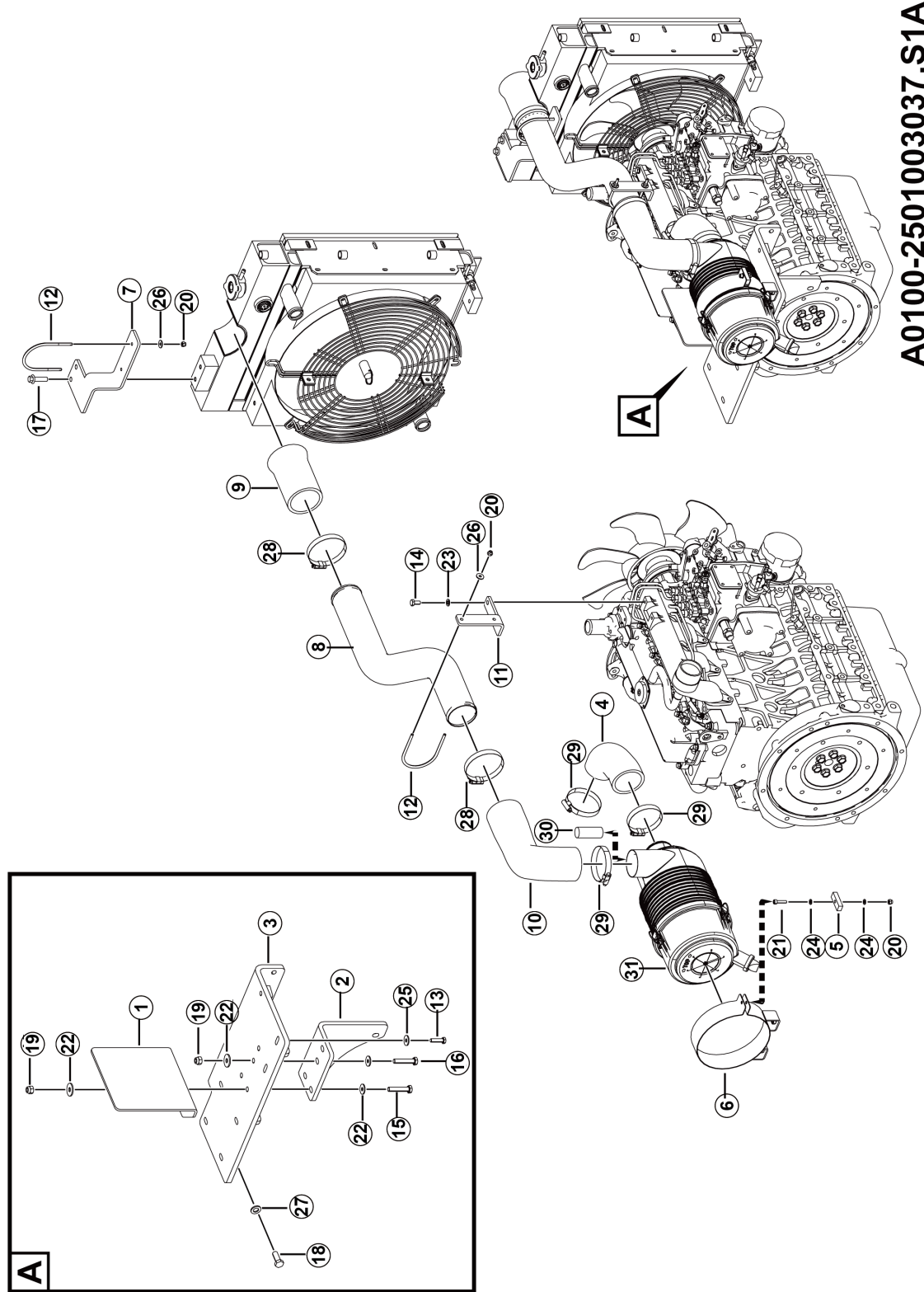


Drive Chassis Components

Item	Part No.	Name	Qty.	Remark
1	4110703262001	Radiator 320472	1	
2	4110703262002	Air guide hood 6759461	1	
3	4110705155005	LH guard ring 6759779	1	
4	4110703262004	RH protective ring 6759465	1	

C0100-2501003037.S1A-G1

Engine air intake sys

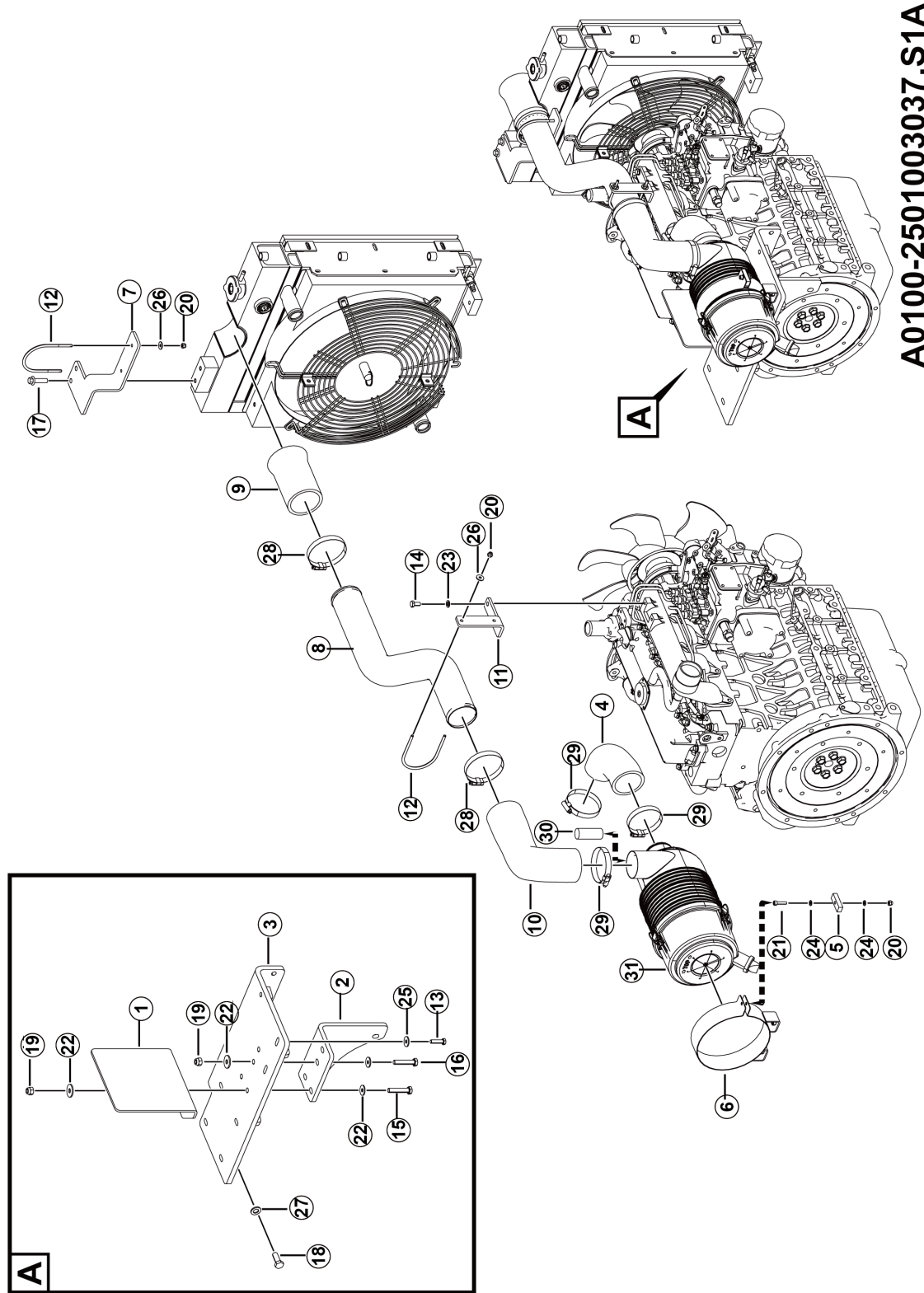


A0100-2501003037.S1A

Item	Part No.	Name	Qty.	Remark
1	25010005982	Backplate	1	
2	25010005992	Fixing plate	1	
3	25010006022	Air filter bracket	1	
4	25010006081	Engine intake hose	1	
5	25010013791	Air filter hoop heel	1	
6	25010014391	Air filter bolt hoop 6 inch	1	
7	25010030391	Air intake bracket	1	
8	25010030501	Intake pipe 70*1.5*590	1	
9	25010030511	Air inlet hose 70*7	1	
10	25010030521	Air intake hose	1	
11	25010030531	Air intake support	1	
12	25550000931	U-Bolt M6*82	2	
13	4011010708	Bolt GB5783-M8*30flznyc-8.8-480	2	
14	4011010970	Bolt GB5783-M8*16flznyc-8.8-480	2	
15	4011010976	Bolt GB5783-M10*50flznyc-8.8-480	2	
16	4011011046	Bolt GB5783-M10*45flznyc-8.8-480	2	
17	4011011104	Bolt GB16674.1-M10*35flznyc-8.8-480	2	
18	4011011428	Bolt GB5786-M12*1.25*30flznyc-8.8-480	2	
19	4013010296	Nut GB889.1-M10flznyc-8	4	
20	4013010300	Nut GB889.1-M6flznyc-8-480	5	
21	4014010119	Screw GB70.1-M6*25flznyc-8.8-480	1	
22	4015010278	Washer GB96.1-10flznyc-300HV-480	8	

C0100-2501003037.S1A-G1

Engine air intake sys



A0100-2501003037.S1A

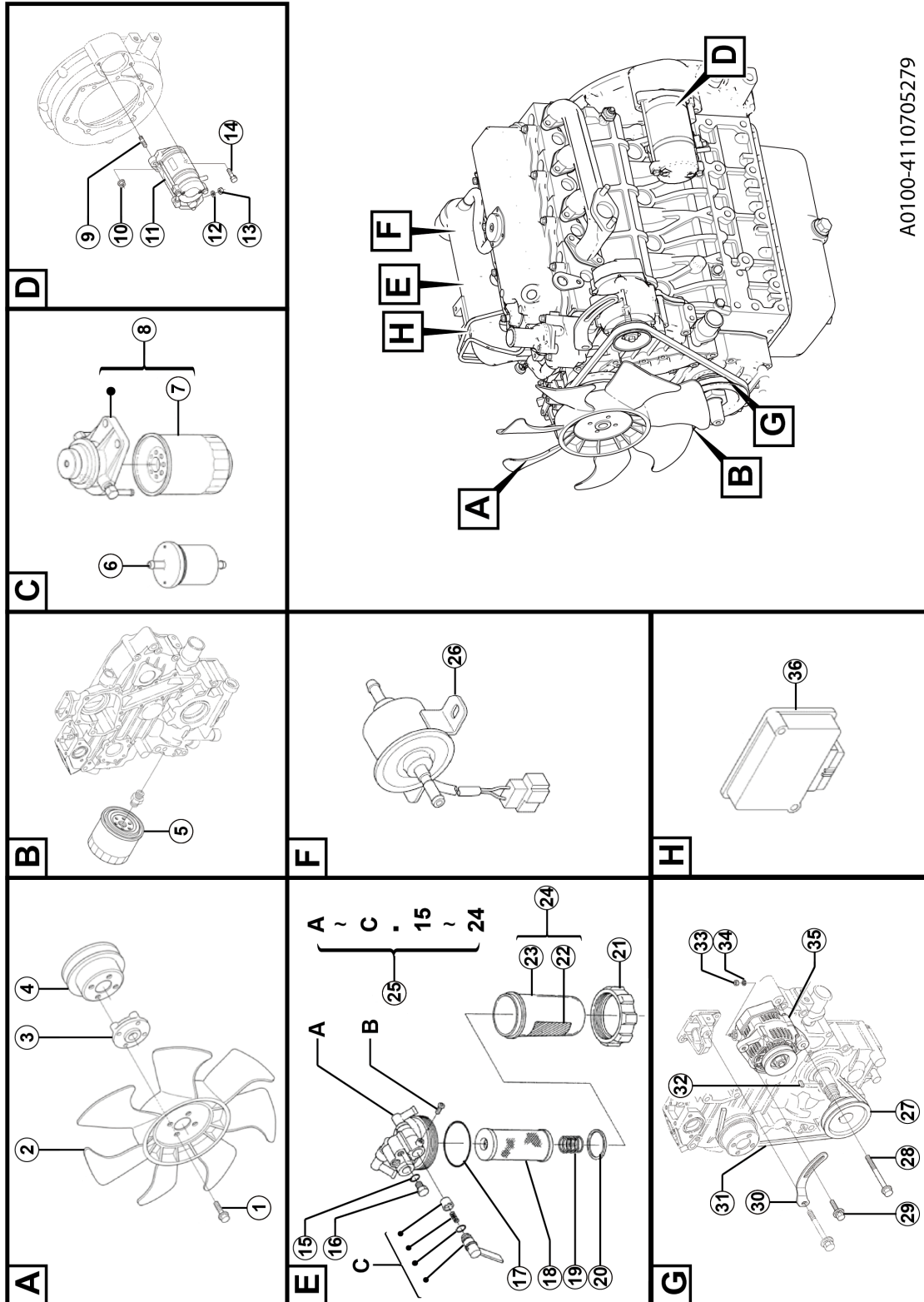


Drive Chassis Components

Item	Part No.	Name	Qty.	Remark
23	4015010280	Washer GB97.1-8flZnyc-300HV-480	2	
24	4015010284	Washer GB97.1-6flZnyc-300HV-480	2	
25	4015010289	Washer GB96.1-8flZnyc-300HV-480	2	
26	4015010296	Washer GB96.1-6flZnyc-300HV-480	4	
27	4015010340	Washer GB97.1-12flZnyc-300HV-480	2	
28	4017000013	Hose clamp JB8870-D90	2	
29	4017000014	Hose clamp JB8870-D80	3	
30	4110001403	Differential pressure alarm RAXOO-2102	1	
31	4110001498	Air filter G068663	1	

C0100-4110705279

Engine assy V2403-M-DI-E3B-LGL1T (1J879-17000)

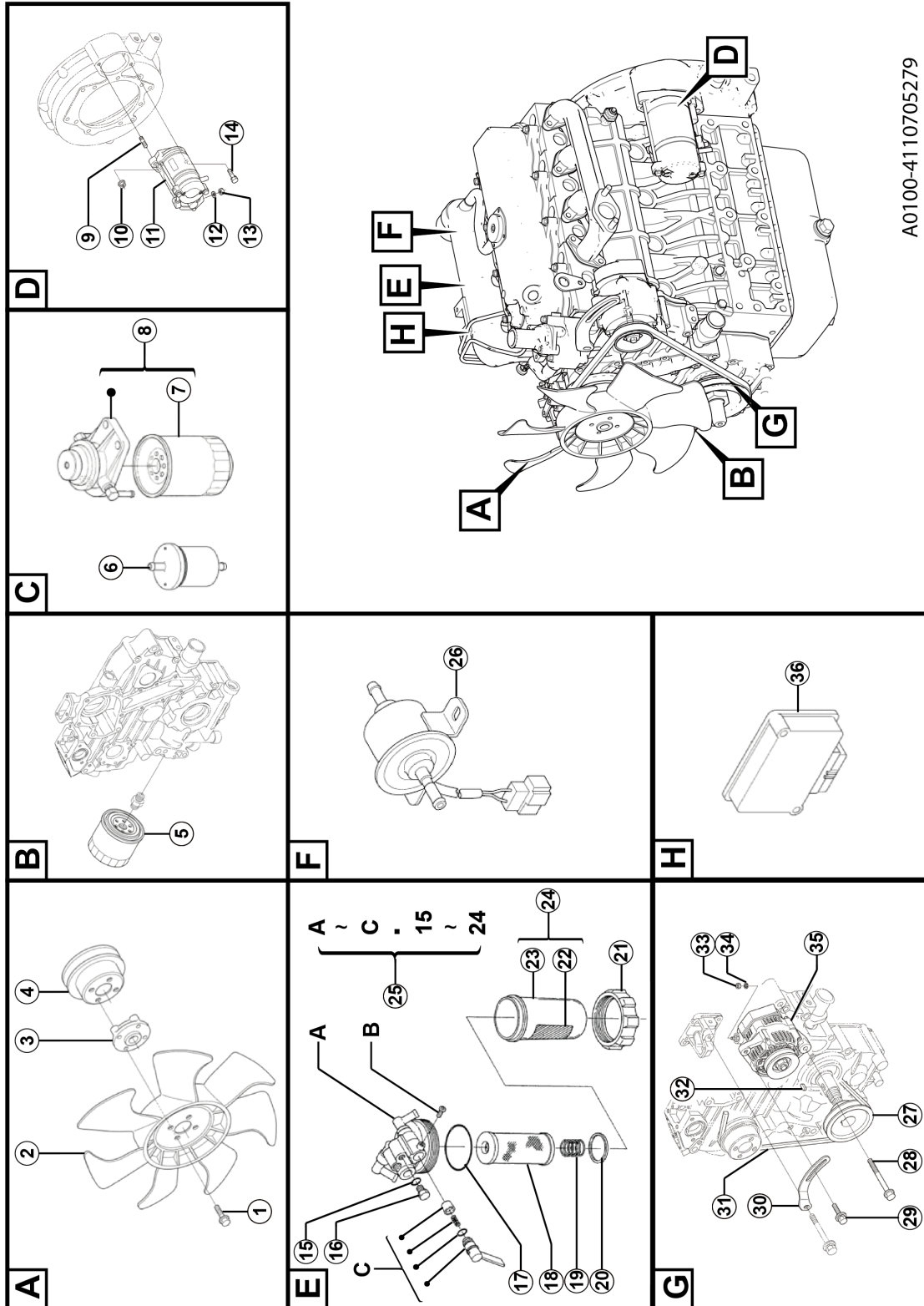


A0100-4110705279

Item	Part No.	Name	Qty.	Remark
1	4110001811508	Flange bolt 01754-50635	4	
2	4110702364030	Fan 19077-74110	1	
3	4110705279212	Fan collar 1A230-74150	1	
4	4110705279213	Pulley TC803-74250	1	
5	4110001811001	Engine oil filter element HH164-32430	1	
6	4110001806	Prefilter 12581-43012	1	
7	4110703186001	Fuel filter element HH166-43560	1	
8	4110001809	Fuel filter 1C011-43013	1	
9	4110001811443	Stud 01517-51030	1	
10	4110001811445	Flange nut 02771-50100	1	
11	4110001811554	Starter motor 17123-63017	1	
12	4110001811249	Washer 04512-50080	1	
13	4110001811446	Nut 02114-50080	1	
14	4110001811444	Bolt 01133-51030	1	
15	4110703246051	O-ring 04817-00060	1	
16	4110703246050	Bolt 15231-43283	1	
17	4110703246046	O-ring 16271-43572	1	
18	4110001811392	Filter element 1G311-43380	1	
19	4110001811393	Spring 1G311-43930	1	
20	4110001811394	Seal 1G311-43250	1	
21	4110703246045	Snap ring 16271-43590	1	
22	4110703246044	Label 15831-87462	1	

C0100-4110705279

Engine assy V2403-M-DI-E3B-LGL1T (1J879-17000)



A0100-4110705279

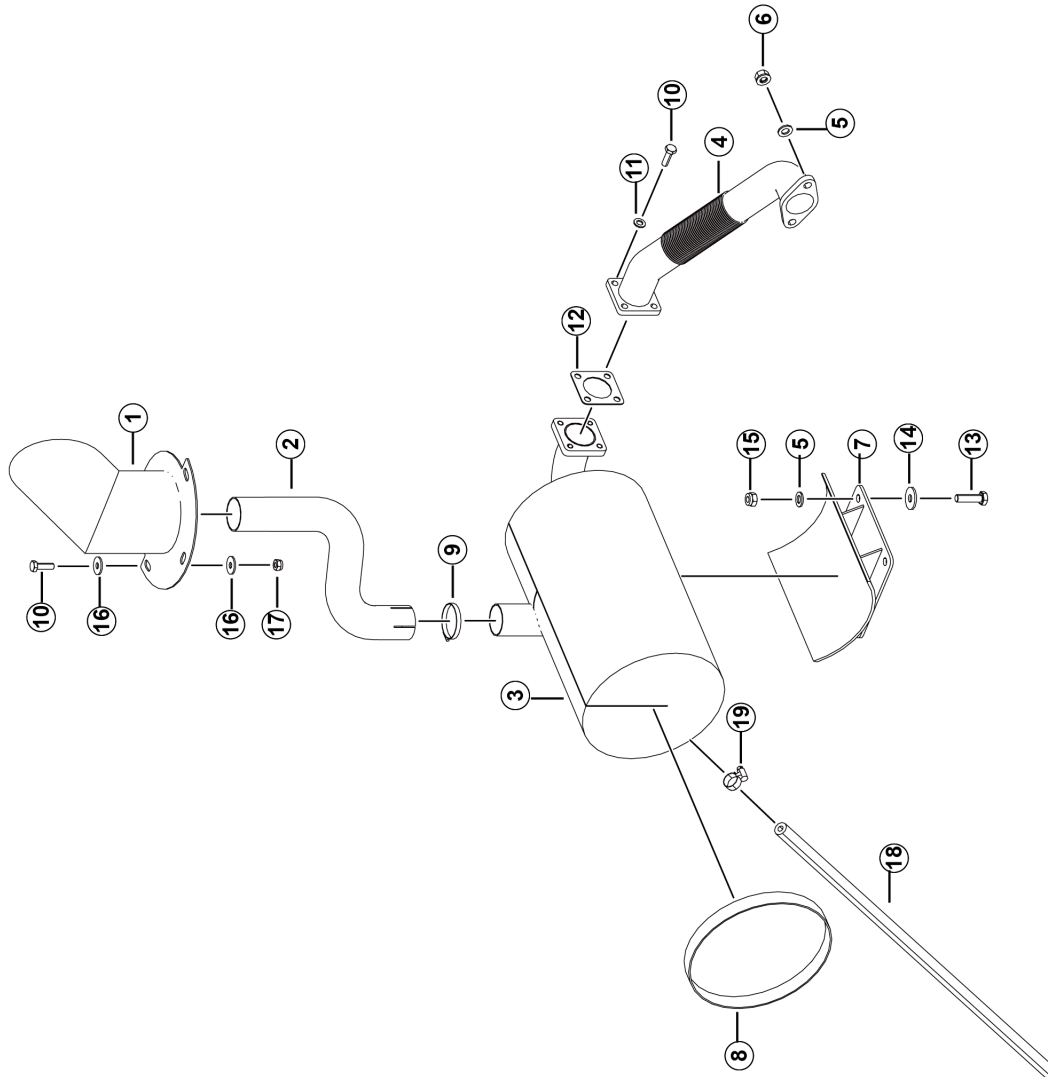


Drive Chassis Components

Item	Part No.	Name	Qty.	Remark
23	4110001811389	Filter cup 1G311-43580	1	
24	4110001811387	Filter cup assy 1G311-43100	1	
25	4110703246042	Separator assy 15831-43354	1	
26	4110702364032	Fuel pump 1G377-52030	1	
27	4110705279200	Fan drive pulley 1J876-74280	1	
28	4110001811398	Flange bolt 01774-51070	1	
29	4110001811399	Bolt 01127-50830	1	
30	4110705279199	Engine bracket 1J864-64420	1	
31	4110001811002	Belt 17112-97012	1	
32	4110705279201	Feather key 05712-00512	1	
33	4110001811346	Nut 02056-50060	1	
34	4110001811326	Washer 04512-50060	1	
35	4110001811006	Alternator 16404-64014	1	
36	4110705279227	ECU 1K722-60600	1	

C0100-2501003047.S1A-G1

Engine exhaust sys



A0100-2501003047.S1A

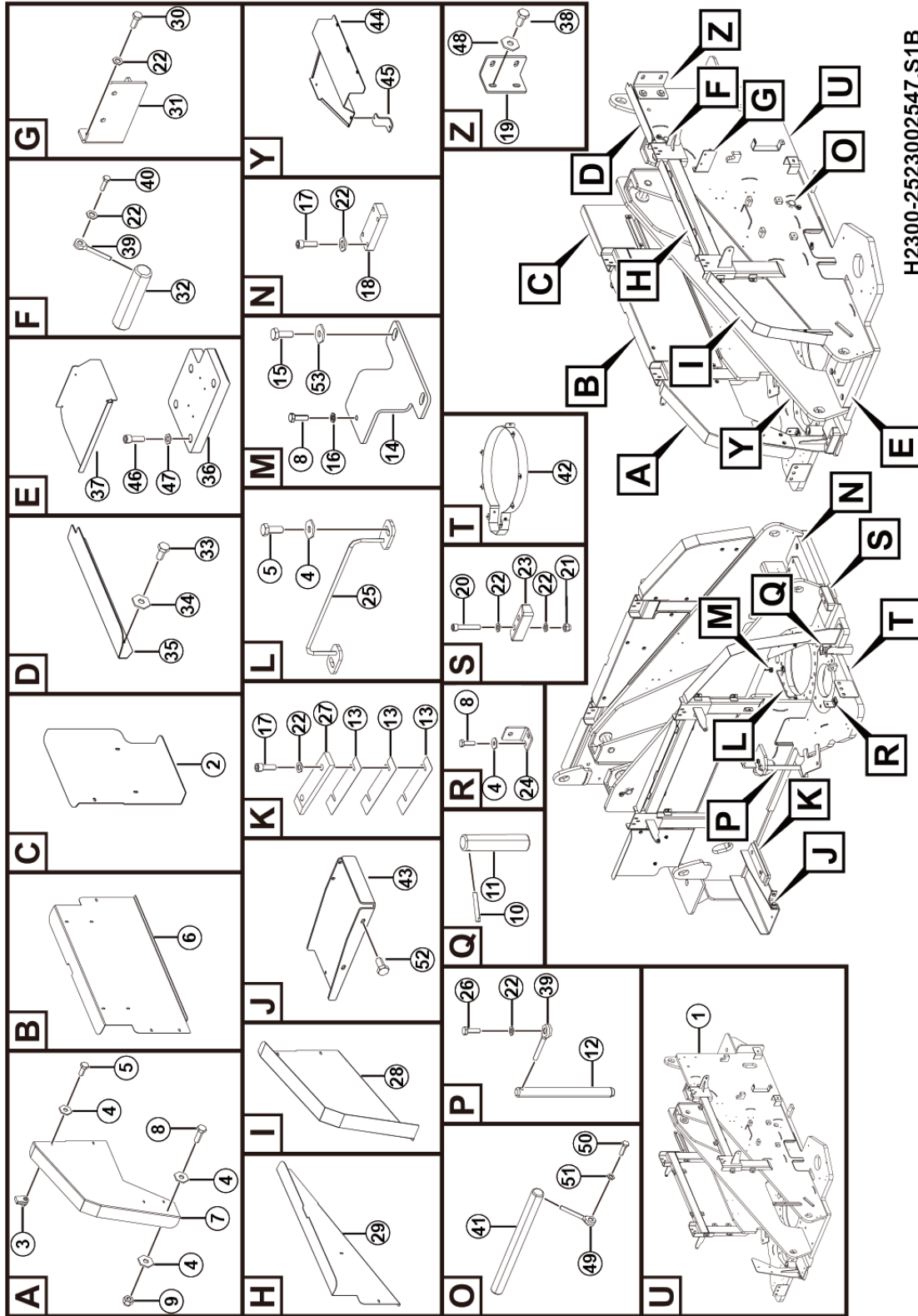
Item	Part No.	Name	Qty.	Remark
1	25010014991	Upr exhaust tail pipe	1	
2	25010030481	Exhaust tail pipe 45*1.5*371	1	
3	4110703281	Muffler 0592	1	
4	25010005903	Exhaust pipe	1	
5	4015010339	Washer GB97.1-10flZnyc-300HV-480	6	
6	4013010412	Nut GB6171-M10*1.25flZnyc-8-480	2	
7	25010001322	Muffler bracket	1	
8	4190002630	T-bolt clamp $\phi 188-\phi 196$	2	
9	4120709367	T-hoop $\phi 45$	1	
10	4011010743	Bolt GB5783-M8*25flznyc-8.8-480	7	
11	4015010280	Washer GB97.1-8flZnyc-300HV-480	4	
12	25010005911	Gasket	1	
13	4011010727	Bolt GB5783-M10*35flZnyc-8.8-480	4	
14	4015010278	Washer GB96.1-10flZnyc-300HV-480	4	
15	4013010292	Nut GB6185.1-M10flZnyc-8-480	4	
16	4015010289	Washer GB96.1-8flZnyc-300HV-480	6	
17	4013010314	Nut GB6185.1-M8flZnyc-8-480	3	
18	25560000861	Drainage pipe	1	
19	4017000010	Hose clamp JB8870-D20	1	

D

Turntable Components

D2300-2523002547.S1B-G1

Turntable assy

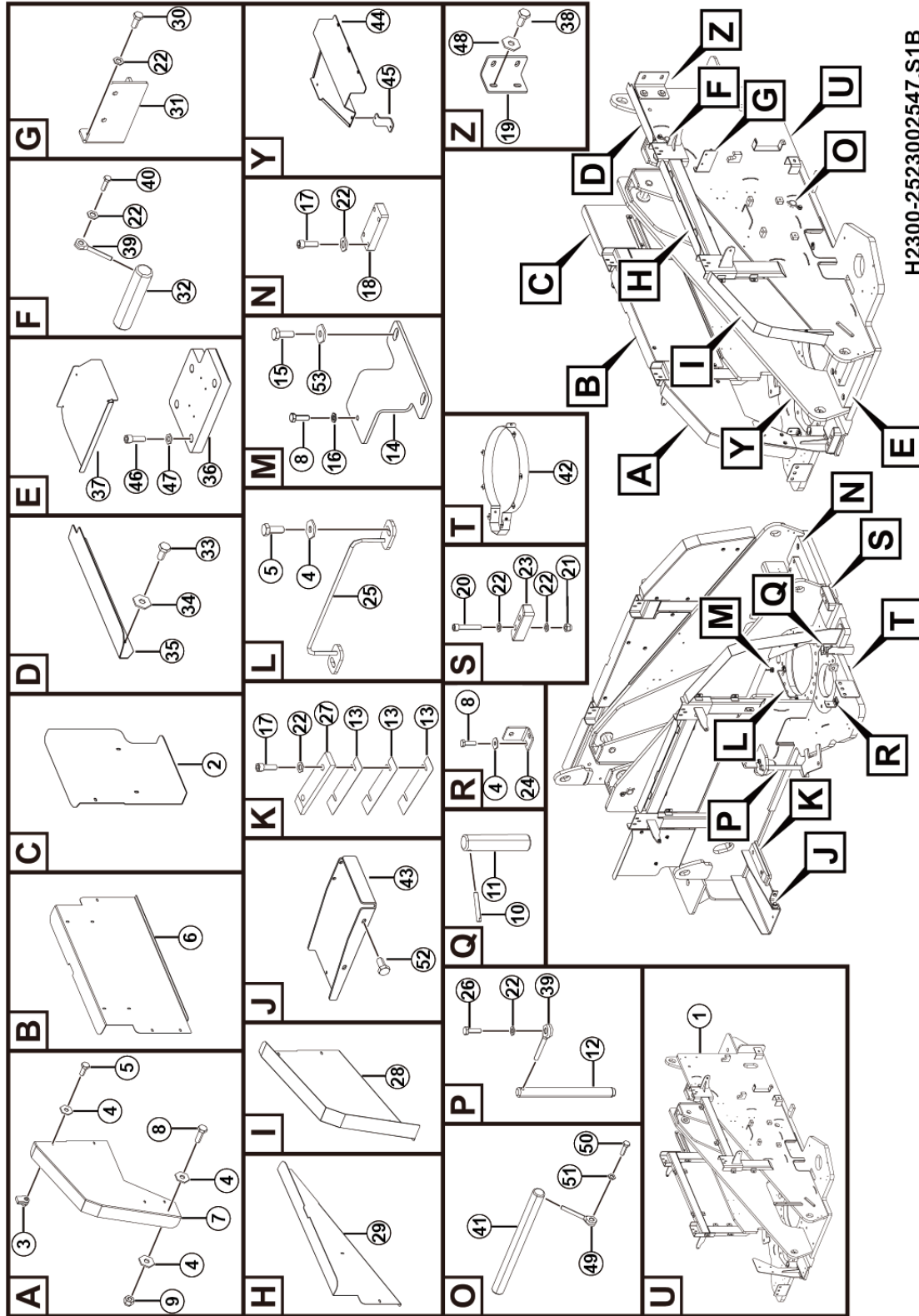


H2300-2523002547.S1B

Item	Part No.	Name	Qty.	Remark
1	25230025483	Turntable wldmt	1	
2	25230020372	LH backplate II	1	
3	4013010383	Nut QC339-M8flZnyc-8-480	22	
4	4015010289	Washer GB96.1-8flZnyc-300HV-480	39	
5	4011010711	Bolt GB5783-M8*20flznyc-8.8-480	30	
6	25230020361	LH backplate I	1	
7	25230025601	Mounting backplate	1	
8	4011010743	Bolt GB5783-M8*25flznyc-8.8-480	10	
9	4013010297	Nut GB889.1-M8flznyc-8-480	7	
10	25230000952	Stud	1	
11	25230002391	Limit lever	1	
12	25230000921	Pin	1	
13	25230010641	Adjusting backing plate	3	
14	25230024791	Backplate mounting support	1	
15		Bolt GB5783-M12*20flZnyc-8.8-480		For illustration
16	4015010280	Washer GB97.1-8flZnyc-300HV-480	8	
17	4014010441	Screw GB70.1-M10*30flZnyc-8.8-480	6	
18	25230022851	Boom backing plate	1	
19	25230020472	Counterweight connecting plate	1	
20	4014010351	Screw GB70.1-M10*55flZnyc-8.8-480	2	
21	4013010296	Nut GB889.1-M10flznyc-8	4	
22	4015010339	Washer GB97.1-10flZnyc-300HV-480	18	

D2300-2523002547.S1B-G1

Turntable assy

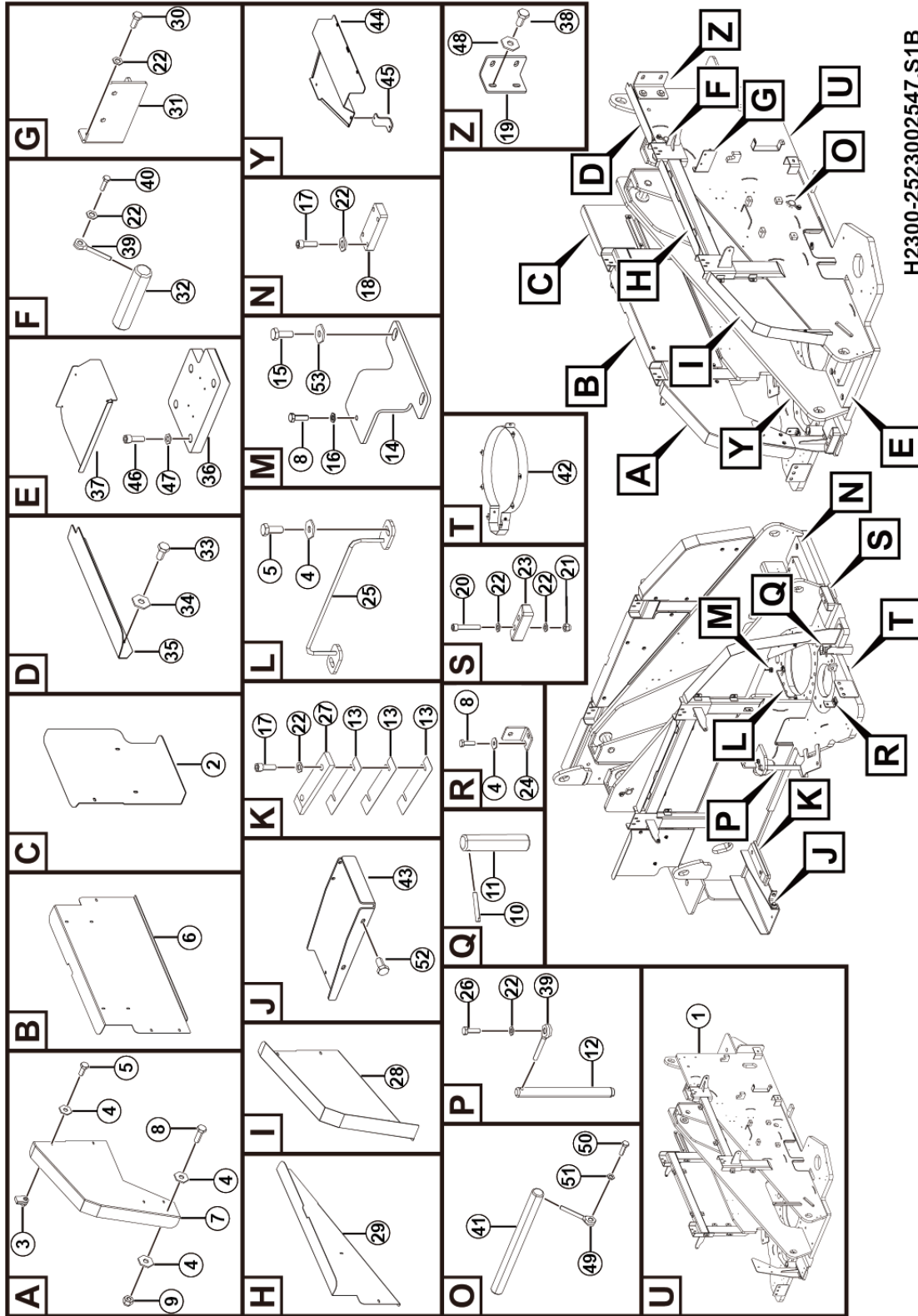


H2300-2523002547.S1B

Item	Part No.	Name	Qty.	Remark
23	25230020432	Folding arm heel	1	
24	25250000082	Mounting plate 70*50*50	1	
25	25230021103	Trace wldmt	2	
26	4011010707	Bolt GB5783-M10*30flznyc-8.8-480	2	
27	25230023321	Backing block	1	
28	25230025491	RH backplate II	1	
29	25230020341	RH backplate I	1	
30	4011010722	Bolt GB5783-M10*25flznyc-8.8-480	2	
31	25230016142	Emergency pump mounting bracket	1	
32	25230020422	Pin II	2	
33	4011010748	Bolt GB5783-M10*20flznyc-8.8-480	2	
34	4015010278	Washer GB96.1-10flznyc-300HV-480	2	
35	25230024891	Bent plate	1	
36	25230023031	Turntable small counterweight	1	
37	25230023811	RH cover plate	1	
38	4011011433	Bolt GB5783-M16*30flznyc-10.9-480	2	
39	25200000641	Latch	3	
40	4011010727	Bolt GB5783-M10*35flznyc-8.8-480	1	
41	25230025641	Shaft 50*570	1	
42		Slewing bearing protection assy		For illustration
43		Mounting plate		For illustration
44	25230024961	Mounting backplate	1	

D2300-2523002547.S1B-G1

Turntable assy



H2300-2523002547.S1B

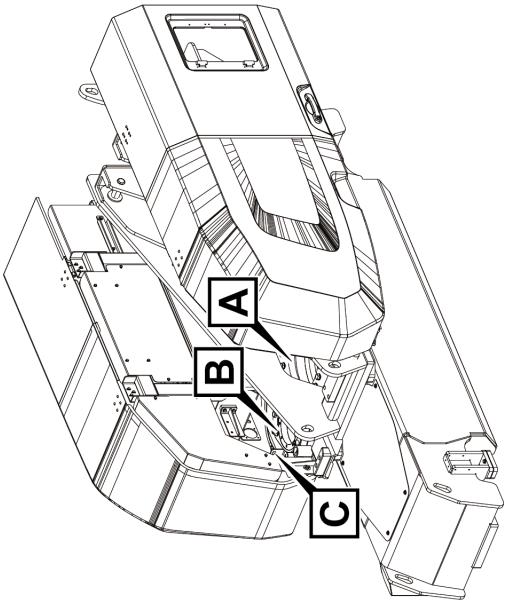
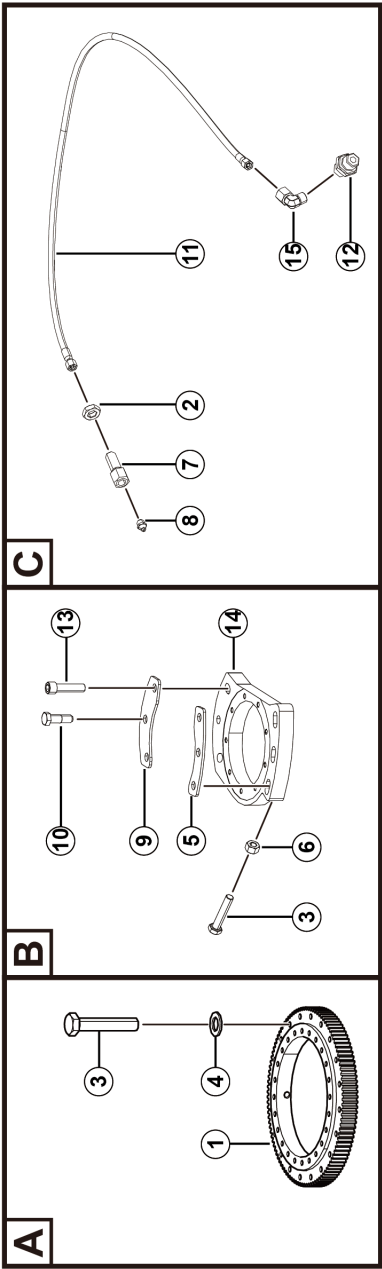


Turntable Components

Item	Part No.	Name	Qty.	Remark
45	25230025011	Cover plate support	1	
46	4014010644	Screw GB70.1-M20*55fZnyc-10.9-480	4	
47	4015010338	Washer GB97.1-20fZnyc-300HV-480	4	
48	4015010334	Washer GB96.1-16fZnyc-300HV-480	2	
49	25220052191	Latch	1	
50	4011011117	Bolt GB5783-M16*40fZnyc-8.8-480	1	
51	4015010287	Washer GB97.1-16fZnyc-300HV-480	1	
52	4011010706	Bolt GB5783-M10*40fZnyc-8.8-480	2	
53	4015010286	Washer GB96.1-12fZnyc-300HV-480	2	

D2500-2525000149.S1C-G1

Swing mechanism assy



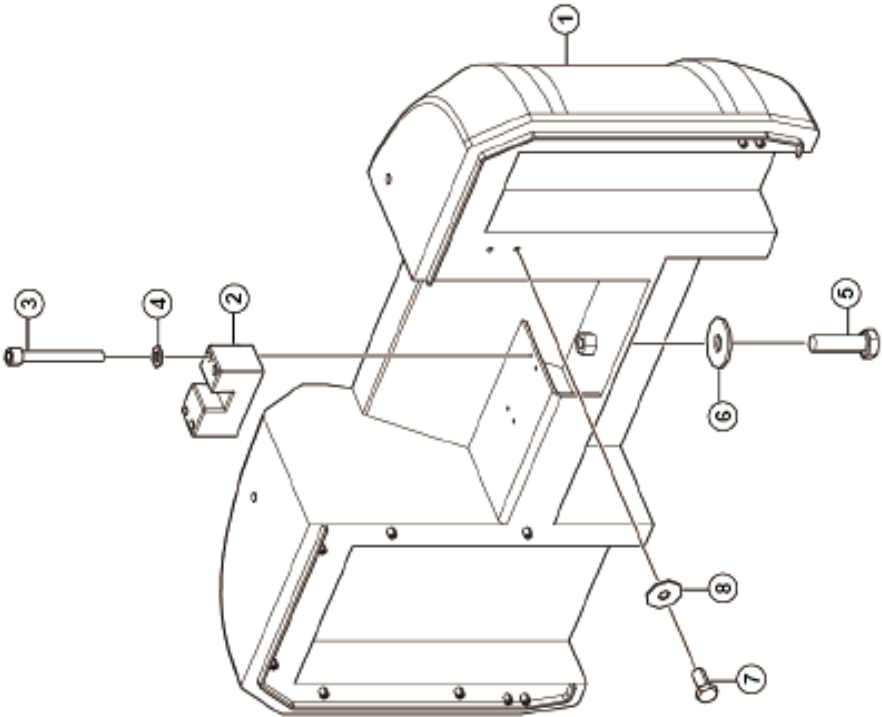
H2500-2525000149.S1C

Item	Part No.	Name	Qty.	Remark
1	4190706901	Swing bearing QWD570.25	1	
2	4013010403	Nut GB6173-M14*1.5flZnyc-05-480	1	
3	4011011483	BOLT GB5783-M20*100flZnyc-10.9	45	
4	4015010338	Washer GB97.1-20flZnyc-300HV-480	44	
5		Adjusting gasket 2		For illustration
6	4013010377	Nut GB6170-M20flZnyc-10-480	1	
7	25250000021	Over-plate joint M10-M14*52	1	
8	4030000065	Grease nipple JB7940.1-M10*1	1	
9		Adjusting gasket		For illustration
10	4011011498	Bolt GB27-M20*65flZnyc-10.9-480	1	
11	4120710914	Hose F481CACA080804-950	1	
12	25250000071	Straight joint M14*36	1	
13	4014010295	Screw GB70.1-M20*80flZnyc-10.9-480	5	
14	25250001501	Rotary mechanism adjustment plate	1	
15	4190000698	Joint EW08LOMDA3C	1	

D2800-2528000486.S1A-G1

Counterweight assy

H2800-2528000486.S1A



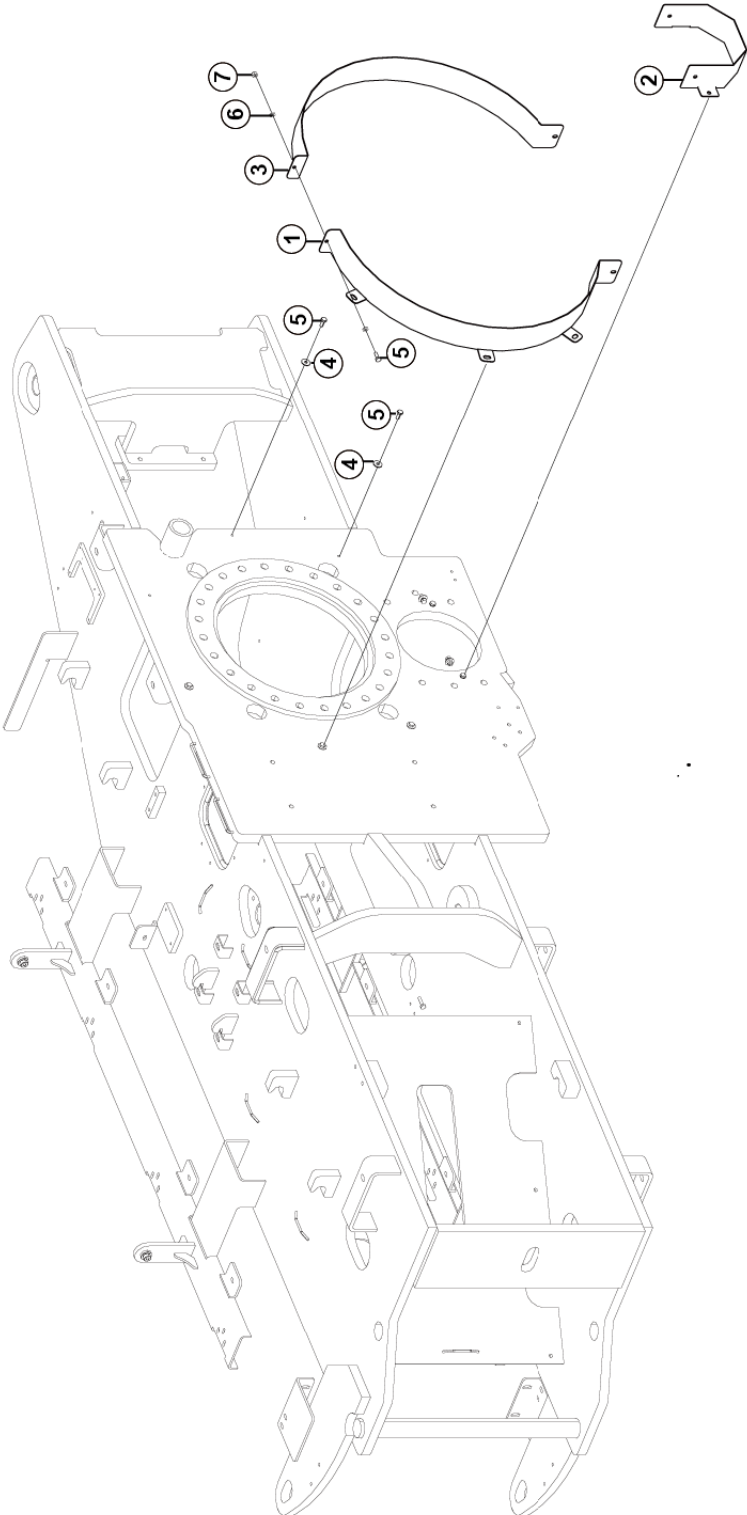


Turntable Components

Item	Part No.	Name	Qty.	Remark
1	25280004853	Counterweight	1	
2	25280004843	Nylon heel	1	
3	4014010426	Screw GB70.1-M10*80fZnyc-8.8-480	4	
4	4015010339	Washer GB97.1-10fZnyc-300HV-480	4	
5	4011011550	Bolt GB5782-M30*100fZnyc-8.8-480	3	
6	4015010372	Washer GB96.1-30fZnyc-300HV-480	3	
7	4011010864	Bolt GB5783-M16*35fZnyc-10.9-480	2	
8	4015010334	Washer GB96.1-16fZnyc-300HV-480	2	

D1400-2523001606.S-G1

Swing bearing protection assy



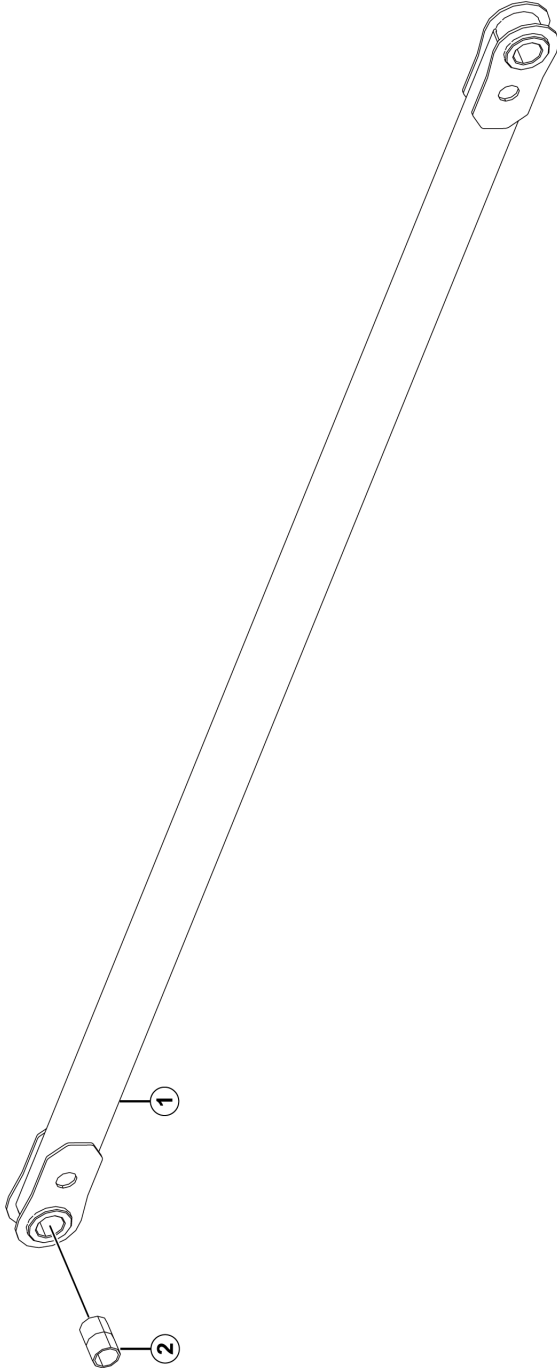
H1400-2523001606.S

E

**Scissor(Boom Structure)
Components**

E2200-2522005972.S1A-G1

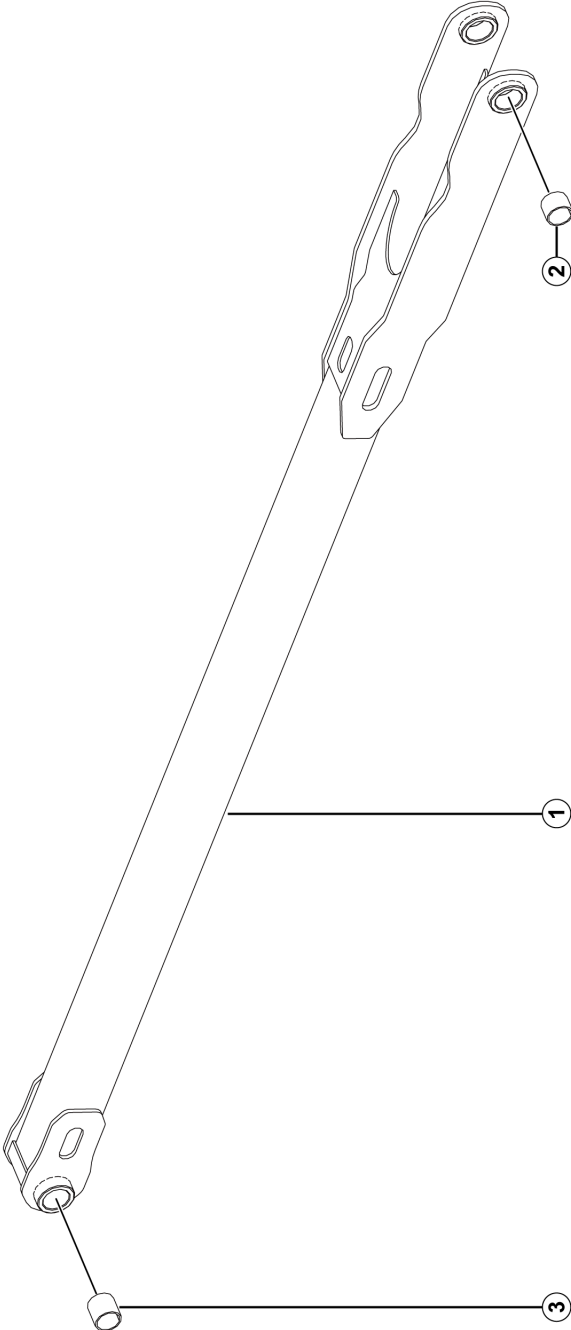
Lwr link assy II



J2200-2522005972.S1A

E2200-2522005879.S1A-G1

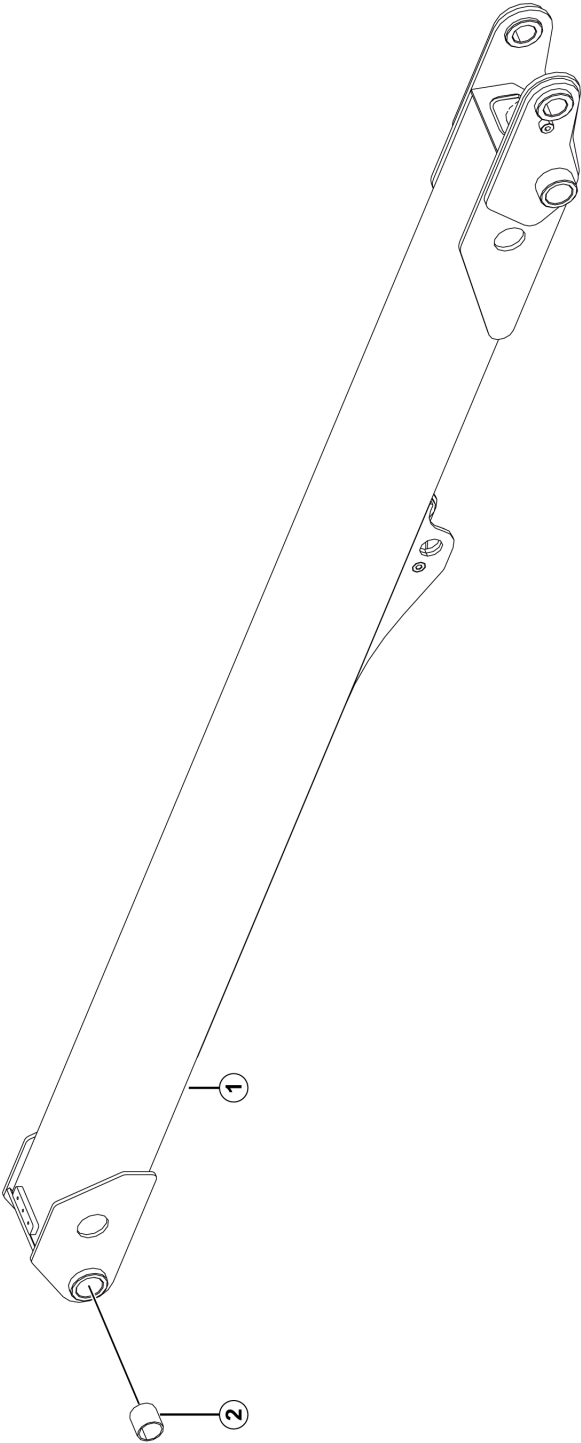
Upr link assy II



J2200-2522005879.S1A

E2200-2522005867.S1A-G1

Upr link assy I

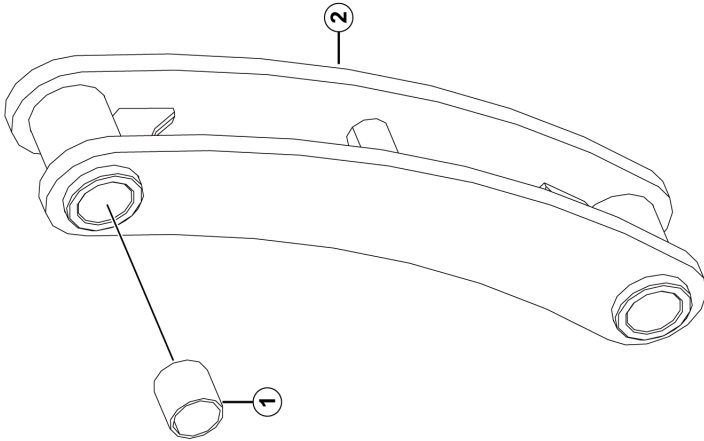


J2200-2522005867.S1A

E2200-2522005866.S1A-G1

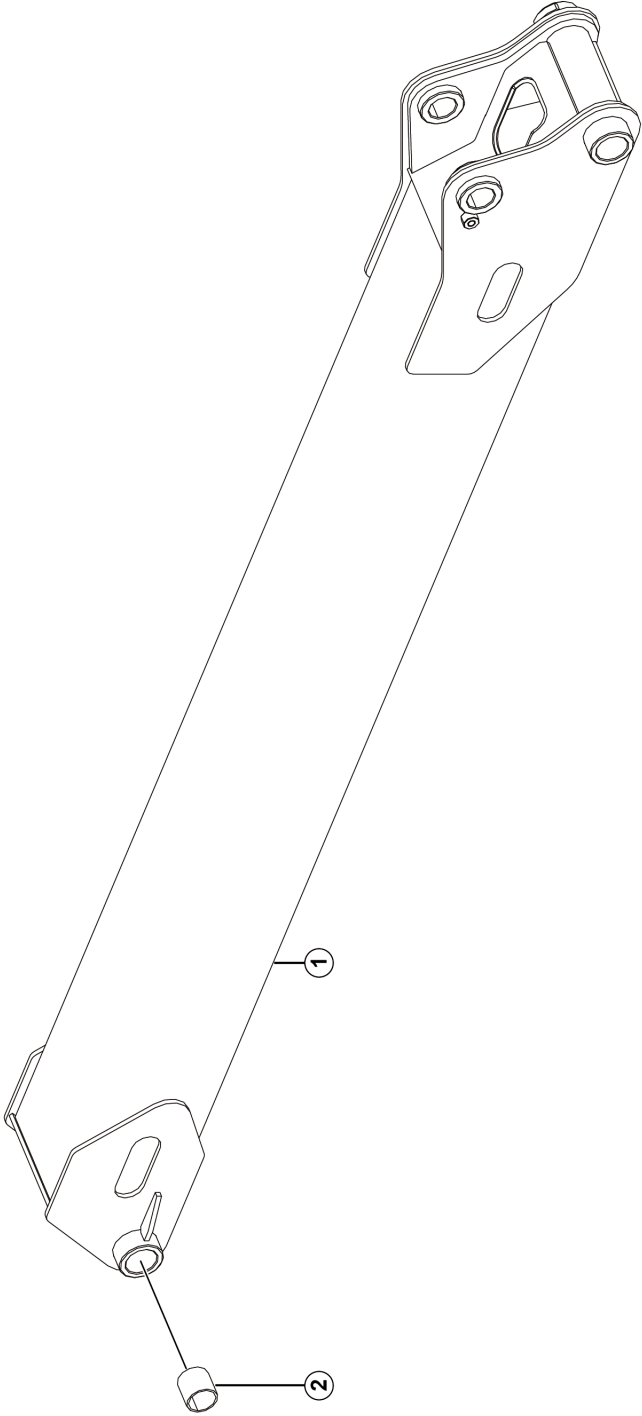
Connecting bracket assy

J2200-2522005866.S1A



E2200-2522005883.S1A-G1

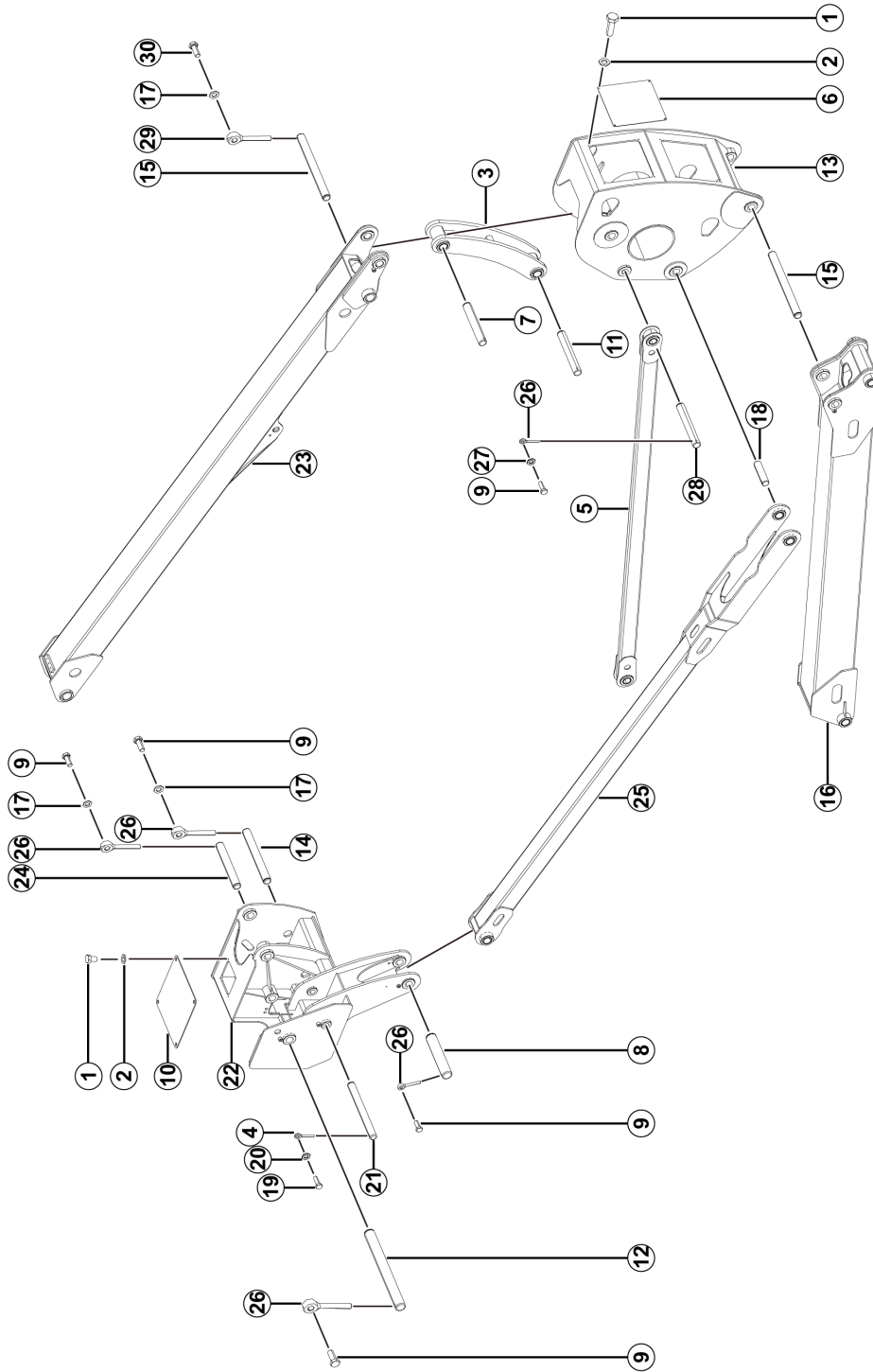
Lwr link assy I



J2200-2522005883.S1A

E2200-2522004295.S1E-G1

Secondary boom assy



J2200-2522004295.S1E

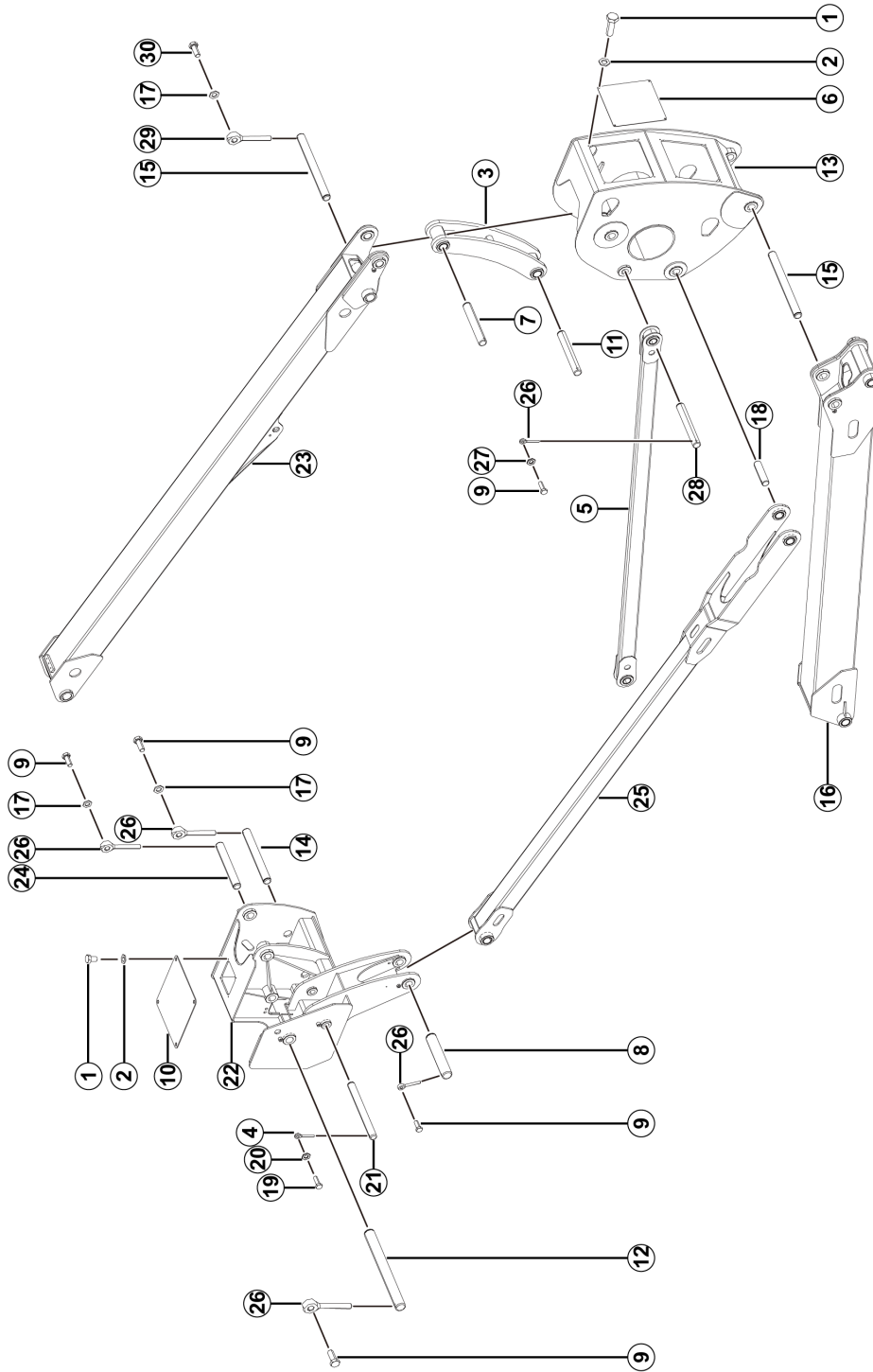


Scissor(Boom Structure) Components

Item	Part No.	Name	Qty.	Remark
1	4011010746	Bolt GB5783-M8*12flznyc-8.8-480	16	
2	4015010280	Washer GB97.1-8flZnyc-300HV-480	16	
3	25220058661	Connecting bracket assy	1	
4	25200000641	Latch	1	
5	25220059721	Lwr connecting rod joint II	2	
6	25220044292	Central cover plate	2	
7	25220058581	Connecting bracket upr pin 55*333	1	
8	25220058591	Luffing hyd cylinder pin I 55*265	1	
9	4011010978	Bolt GB5783-M12*30flznyc-8.8-480	12	
10	25220044593	Upr pivot cover plate	2	
11	25220058541	Connecting bracket upr pin 55*348	1	
12	25220057881	Folding arm upr pivot pin	1	
13	25220058821	Folding arm central wldmt	1	
14	25220059751	Upr connecting rod upr pin I 55*438	1	
15	25220058511	Folding arm pivot pin I 55*537	3	
16	25220058831	Lwr connecting rod joint I	1	
17	4015010287	Washer GB97.1-16flZnyc-300HV-480	9	
18	25220058651	Lwr connecting rod pin I 55*178	3	
19	4011010722	Bolt GB5783-M10*25flznyc-8.8-480	1	
20	4015010339	Washer GB97.1-10flZnyc-300HV-480	1	
21	25220043101	Leveling hyd cylinder pin I	1	
22	25220058761	Arm upr pivot wldmt	1	

E2200-2522004295.S1E-G1

Secondary boom assy



J2200-2522004295.S1E

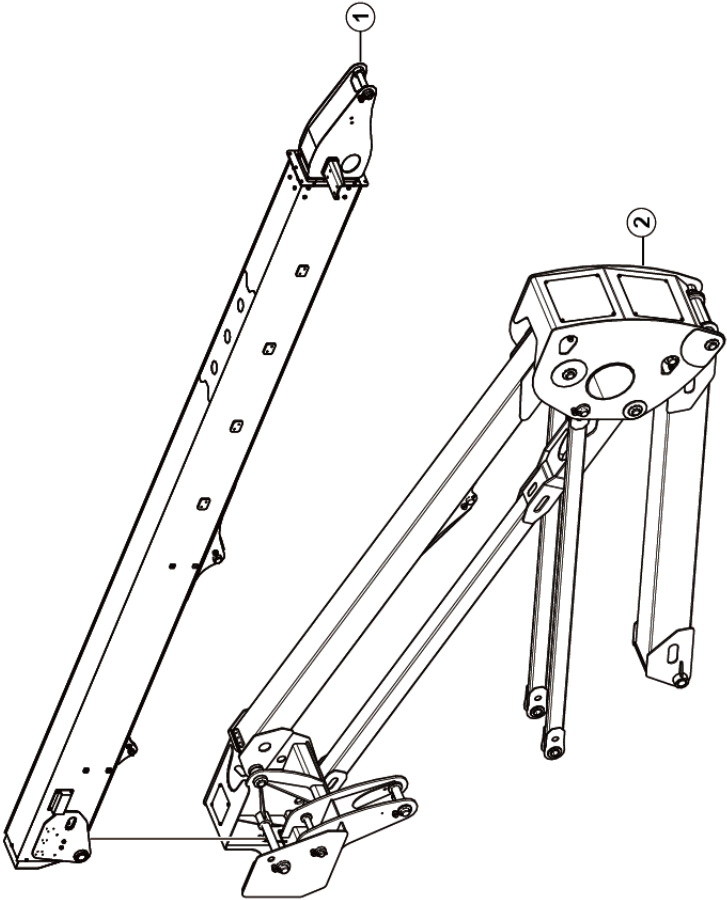


Scissor(Boom Structure) Components

Item	Part No.	Name	Qty.	Remark
23	25220058671	Upr connecting rod assy I	1	
24	25220058621	Upr connecting rod upr pin II 55*370	1	
25	25220058791	Upr connecting rod assy II	1	
26	25220000611	Latch	12	
27	4015010340	Washer GB97.1-12fIZnyc-300HV-480	2	
28	25220043083	Lwr connecting rod pin I	2	
29	25220052191	Latch	10	
30	4011011690	Bolt GB5783-M16*35fIZnyc-8.8-480	10	

E2200-2522004474.S1A-G1

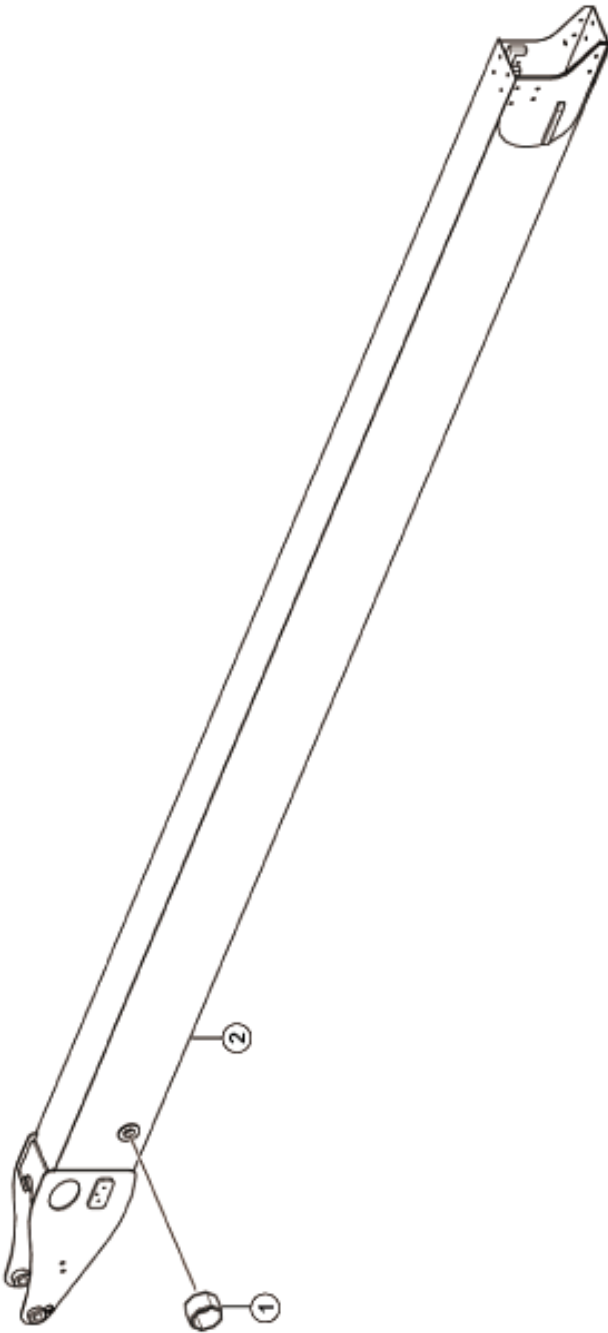
Boom assy



J2200-2522004474.S1A

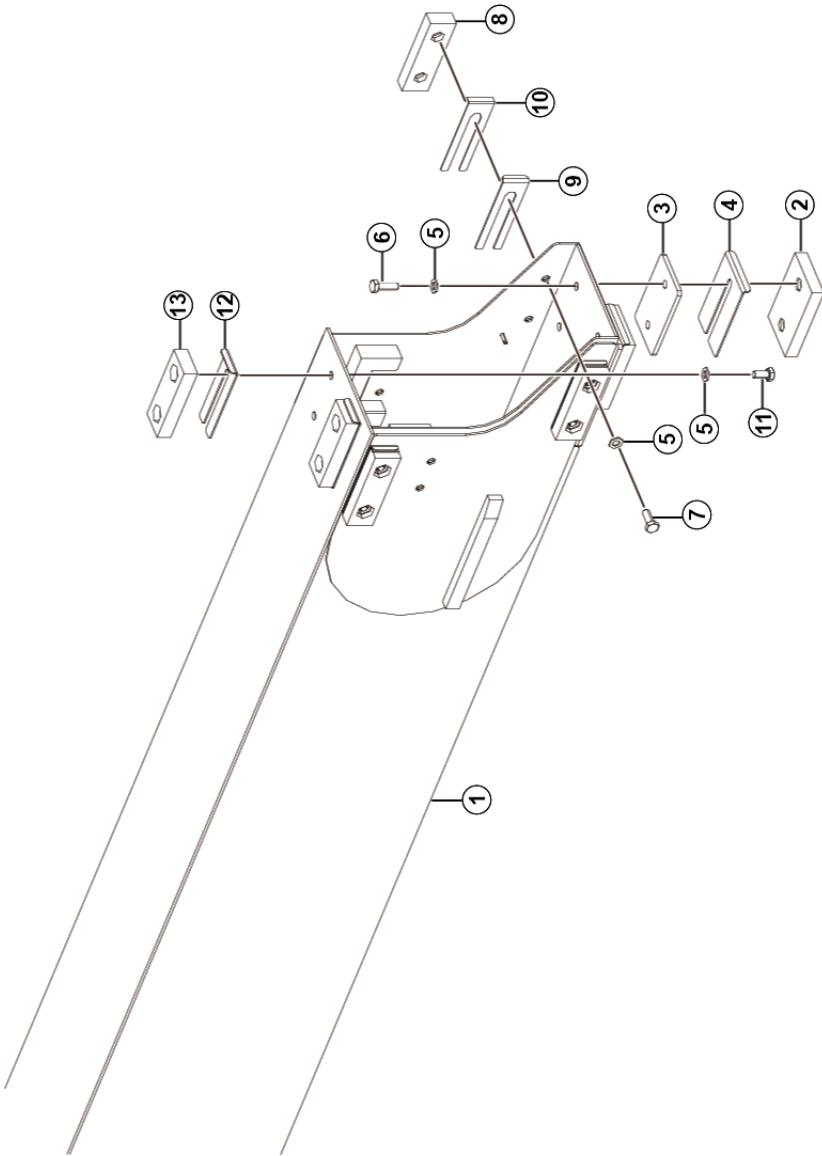
E2200-2522004722.S1A-G1

2nd boom subassy



J2200-2522004722.S1A

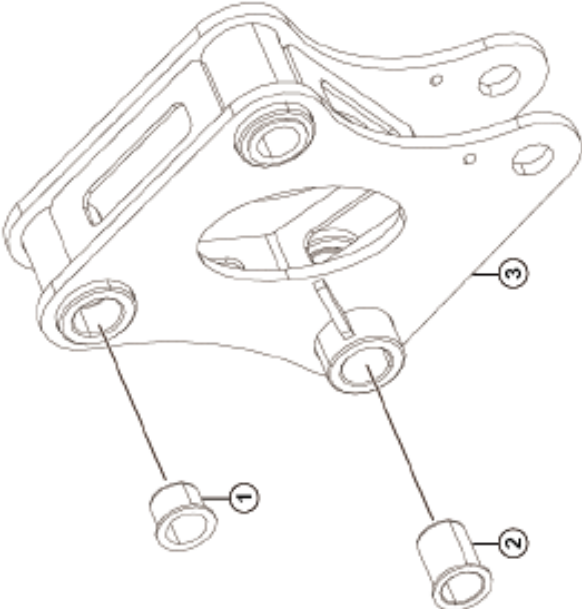
J2200-2522004507.S1A



E2700-2527000370.S1A-G1

Bellcrank assy

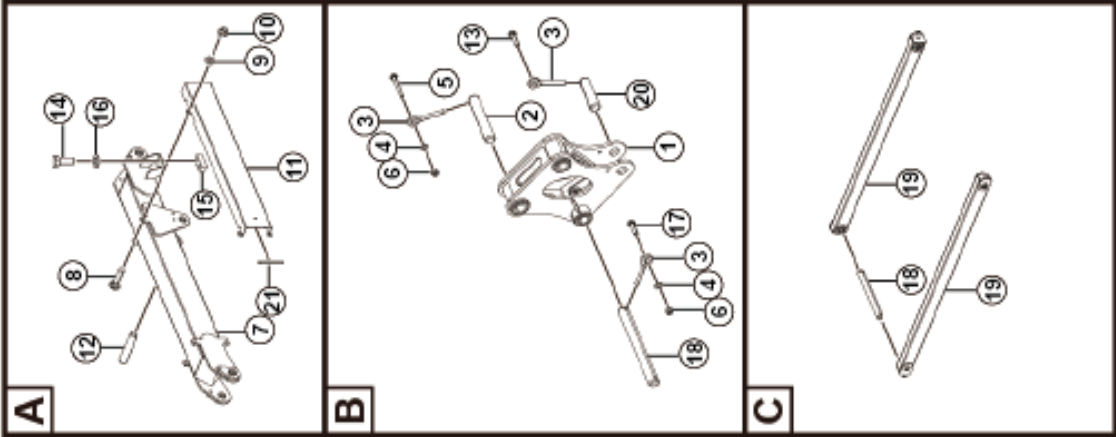
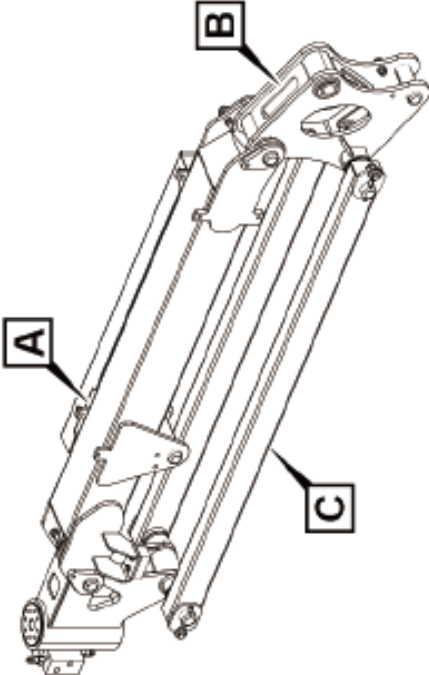
J2700-2527000370.S1A



E2700-2527000376.S1A-G1

Jib assy

J2700-2527000376.S1A



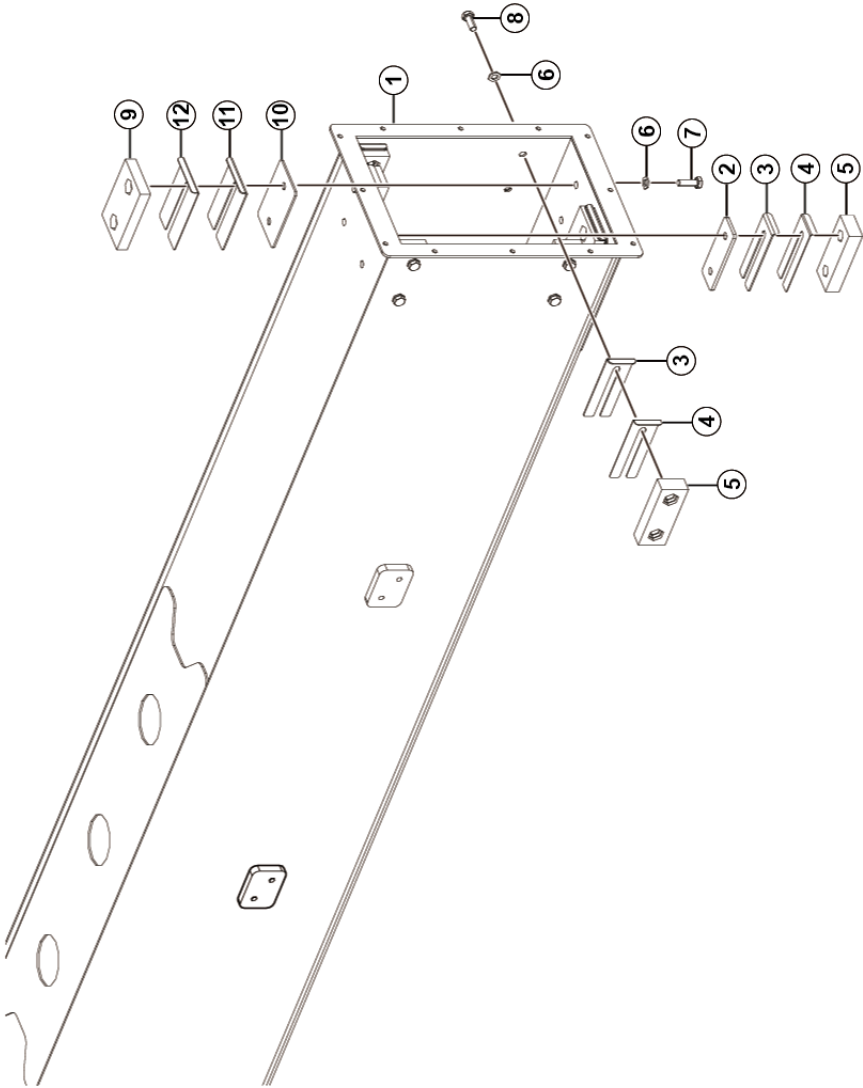


Scissor(Boom Structure) Components

Item	Part No.	Name	Qty.	Remark
1	25270003702	Arm connecting bracket assy	1	
2	25270000581	Shaft 35*200	2	
3	25200000641	Latch	8	
4	4015010339	Washer GB97.1-10flZnyc-300HV-480	8	
5	4011010825	Bolt GB5782-M10*70flZnyc-8.8-480	2	
6	4013010296	Nut GB889.1-M10flznyc-8	8	
7	25270000462	Upr connecting rod	1	
8	4011010953	Bolt GB12-M6*25flZnyc-8.8-480	4	
9	4015010284	Washer GB97.1-6flZnyc-300HV-480	4	
10	4013010300	Nut GB889.1-M6flznyc-8-480	4	
11	25240000381	Backplate	1	
12	25270000601	Shaft 35*178	1	
13	4011010706	Bolt GB5783-M10*40flZnyc-8.8-480	2	
14	4011010711	Bolt GB5783-M8*20flznyc-8.8-480	4	
15	25240000402	Backing block	2	
16	4015010280	Washer GB97.1-8flZnyc-300HV-480	4	
17	4011010727	Bolt GB5783-M10*35flZnyc-8.8-480	4	
18	25270000591	Shaft 35*356	2	
19	25270000632	Lwr connecting rod	2	
20	25270000571	Shaft 35*133	1	
21	4190707216	Clip rubber bar 492990 120mm	2	

E2200-2522004506.S1A-G1

Primary boom assy



J2200-2522004506.S1A

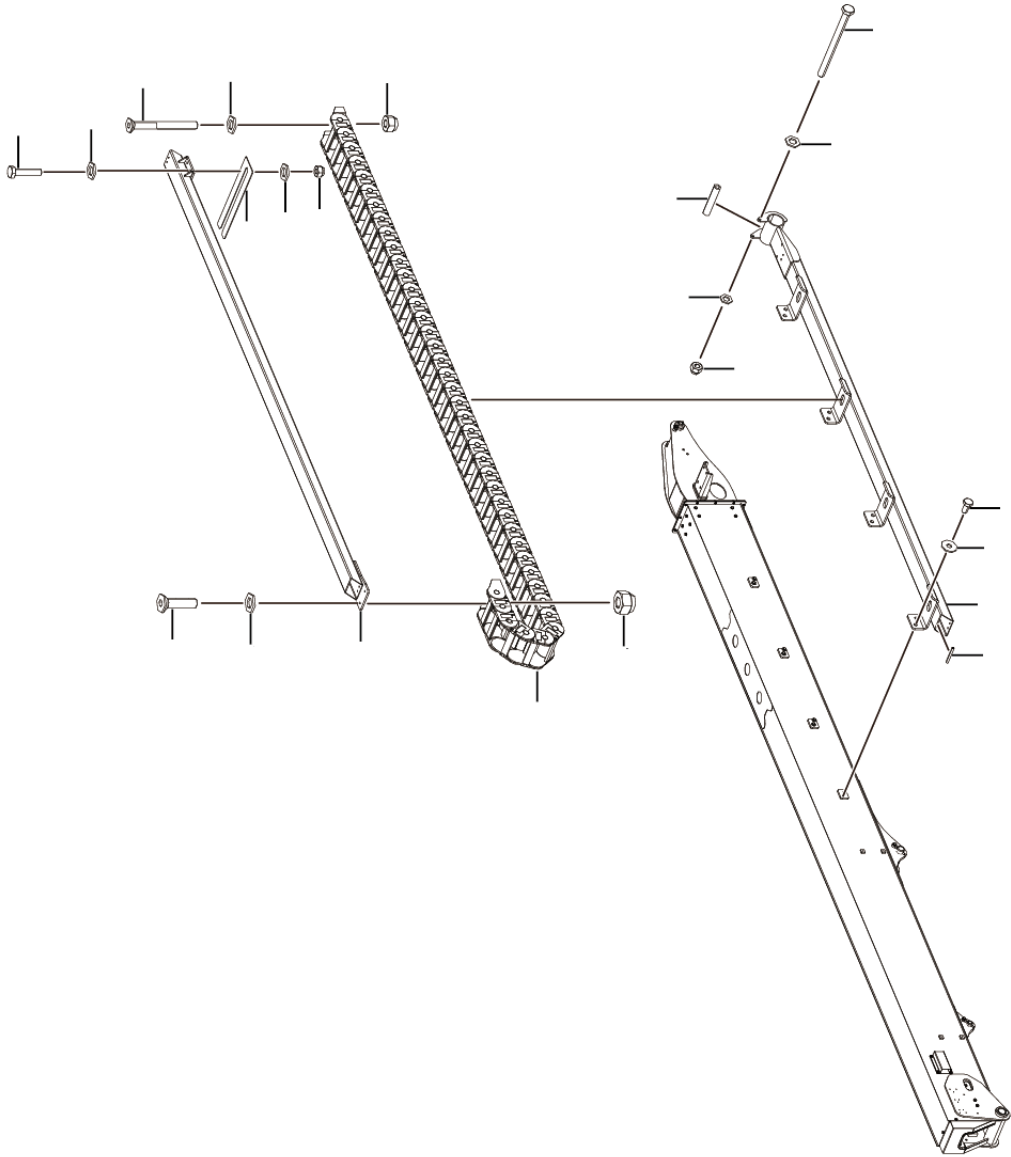


Scissor(Boom Structure) Components

Item	Part No.	Name	Qty.	Remark
1	25220044243	Basic arm assy	1	
2	25220044461	Slider adjustment backing plate 5mm	2	
3	25220003151	Slider backing plate 45-2	6	
4	25220003141	Slider backing plate 45-1	6	
5	25220003191	Slider 45-23	6	
6	4015010339	Washer GB97.1-10fIznyc-300HV-480	16	
7	4011010707	Bolt GB5783-M10*30fIznyc-8.8-480	8	
8	4011010722	Bolt GB5783-M10*25fIznyc-8.8-480	8	
9	25220007631	Slider 76-17.5	2	
10	25220007641	Slider backing plate 120*76*3	2	
11	25220010711	Slider backing plate 76-120-2	2	
12	25220010721	Slider backing plate 76-120-1	2	

E2400-2524000562.S1A-G1

Cable track assy



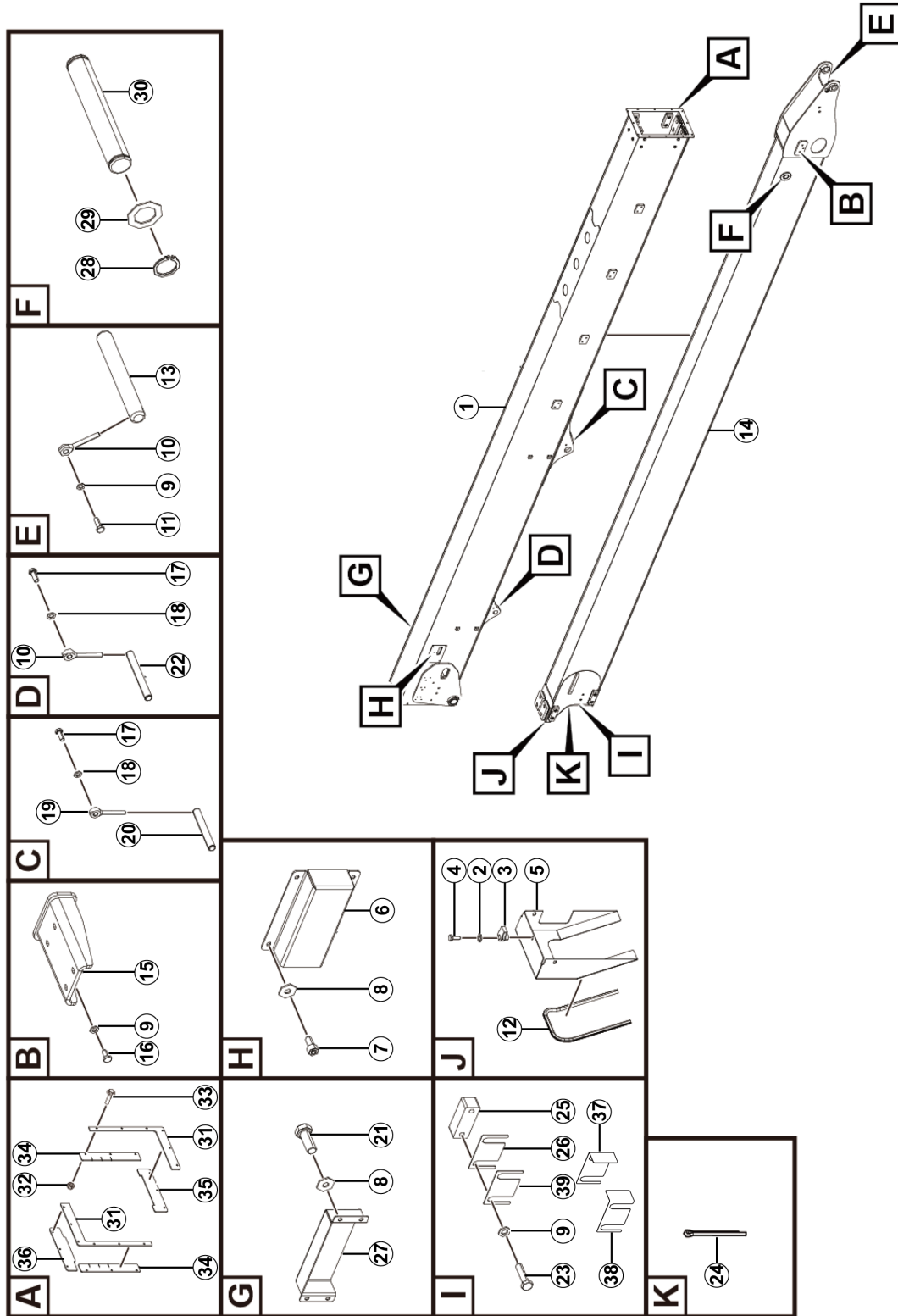


Scissor(Boom Structure) Components

Item	Part No.	Name	Qty.	Remark
1	4190707535	Cable track E2/3500_100_075_0-44	1	
2	4014010359	Screw GB70.3-M8*30flZnyc-8.8-480	2	
3	4015010280	Washer GB97.1-8flZnyc-300HV-480	8	
4	4013010297	Nut GB889.1-M8flznyc-8-480	8	
5	25240005841	Sealing strip 90*3	3	
6	25240005633	Upr alignment beam wldmt	1	
7	25240005851	Adjusting gasket 162*38*1	1	
8	4011010972	Bolt GB5783-M8*35flZnyc-8.8-480	4	
9	4015010289	Washer GB96.1-8flZnyc-300HV-480	4	
10	4013010296	Nut GB889.1-M10flznyc-8	1	
11	4015010339	Washer GB97.1-10flZnyc-300HV-480	2	
12	25240005672	Nylon roller	1	
13	4011010947	Bolt GB5782-M10*130flZnyc-8.8-480	1	
14	4014010658	Screw GB70.3-M8*75flZnyc-8.8-480	2	
15	25240005642	Drag chain support wldmt	1	
16	4011010748	Bolt GB5783-M10*20flZnyc-8.8-480	8	
17	4015010278	Washer GB96.1-10flZnyc-300HV-480	8	

E2200-2522004423.S1E-G1

Telescopic boom assy



L0800-2508000462.S1E

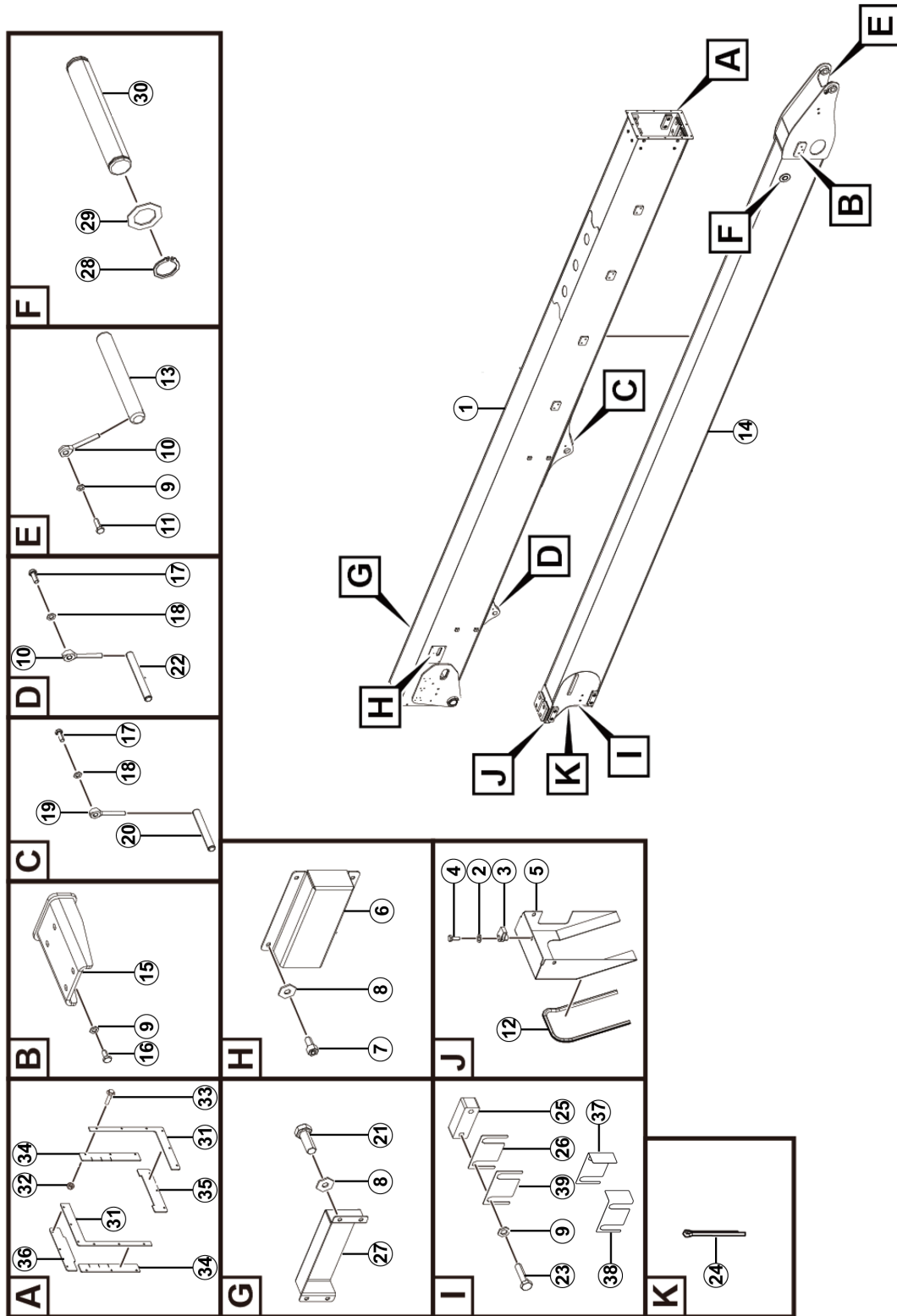


Scissor(Boom Structure) Components

Item	Part No.	Name	Qty.	Remark
1	25220045061	Basic arm assy	1	
2	4015010280	Washer GB97.1-8flZnyc-300HV-480	3	
3	4013010383	Nut QC339-M8flZnyc-8-480	3	
4	4011010711	Bolt GB5783-M8*20flznyc-8.8-480	3	
5	25220047111	Cover plate wldmt	1	
6	25220042852	Travel switch shield	1	
7	4014010181	Screw GB70.1-M6*12flznyc-8.8-480	8	
8	4015010296	Washer GB96.1-6flZnyc-300HV-480	8	
9	4015010339	Washer GB97.1-10flZnyc-300HV-480	13	
10	25200000641	Latch	2	
11	4011010707	Bolt GB5783-M10*30flznyc-8.8-480	1	
12	25220044551	Cover plate rubber strip	1	
13	25220040231	Shaft 35*265	1	
14	25220045071	2nd boom assy	1	
15	25220047151	Tracing beam support plate wldmt	1	
16	4011010748	Bolt GB5783-M10*20flZnyc-8.8-480	3	
17	4011011690	Bolt GB5783-M16*35flZnyc-8.8-480	1	
18	4015010287	Washer GB97.1-16flZnyc-300HV-480	1	
19	25220052191	Latch	1	
20	25220058841	Shaft 55*213	1	
21	4011010727	Bolt GB5783-M10*35flZnyc-8.8-480	5	
22	25220042921	Shaft 35*230	1	

E2200-2522004423.S1E-G1

Telescopic boom assy



L0800-2508000462.S1E



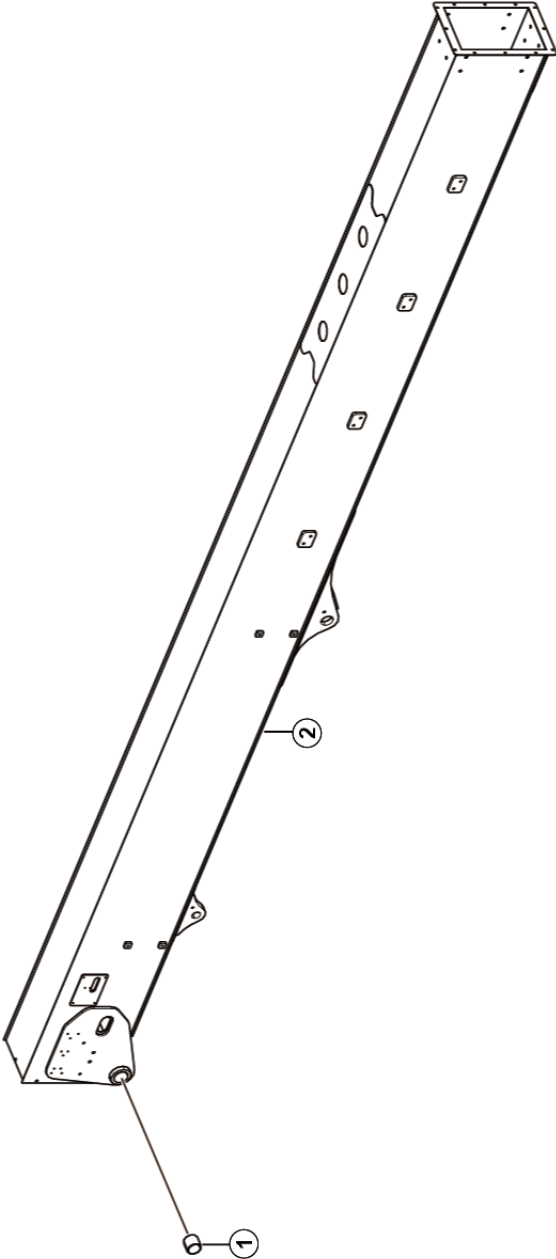
Scissor(Boom Structure) Components

Item	Part No.	Name	Qty.	Remark
23	4011010706	Bolt GB5783-M10*40flZnyc-8.8-480	4	
24	4016010259	Pin GB91-2*20flZnyc-Q235A-480	1	
25	25220027831	Platen	4	
26	25220047252	Telescopic hyd cyl adjusting gasket 1mm	8	
27	25220049131	Angle sensor shield	1	
28	4015010323	Snap ring JB4342-35flZnyc-65Mn-480	2	
29	25220006662	Washer 35-2	2	
30	25220006652	Shaft 35*215	1	
31	25220047101	Dust-proof platen	2	
32	4013010388	Nut GB6177.1-M6flZnyc-8-480	12	
33	4011010757	Bolt GB16674-M6*20flznyc-8.8	12	
34	25220042883	Side dustproof rubber plate	2	
35	25220042892	Lwr dustproof rubber plate	1	
36	25220044482	Upr dustproof rubber sheet	1	
37	25220032571	LH adjustment backing plate	2	
38	25220032581	RH adjusting backing plate	2	
39	25220057921	Telescopic hyd cyl adjusting gasket 2mm	4	

E2200-2522004424.S1A-G1

Primary boom subassy

J2200-2522004424.S1A

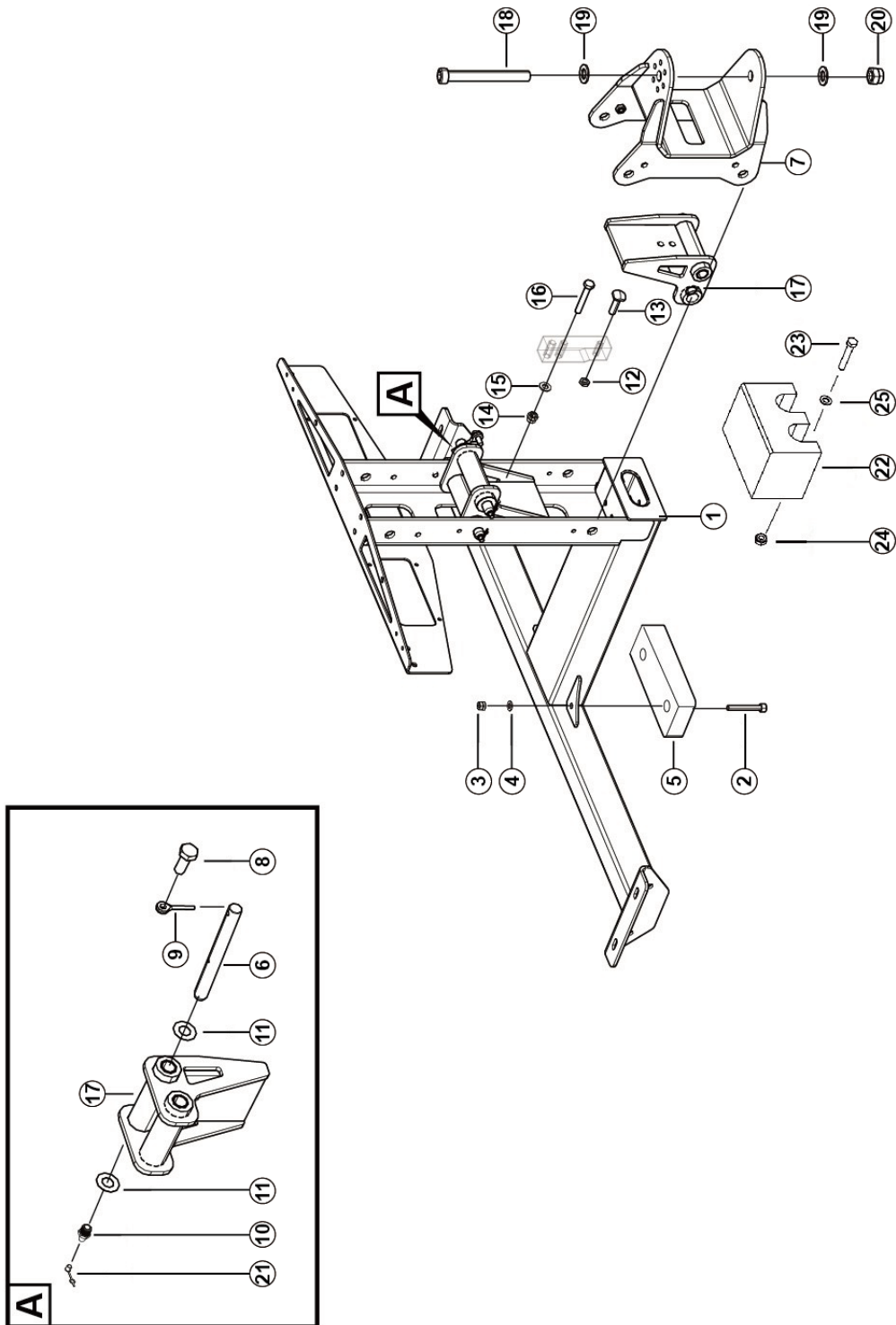


F

Platform Components

F2100-2521004048.S1C-G4

Platform support assy

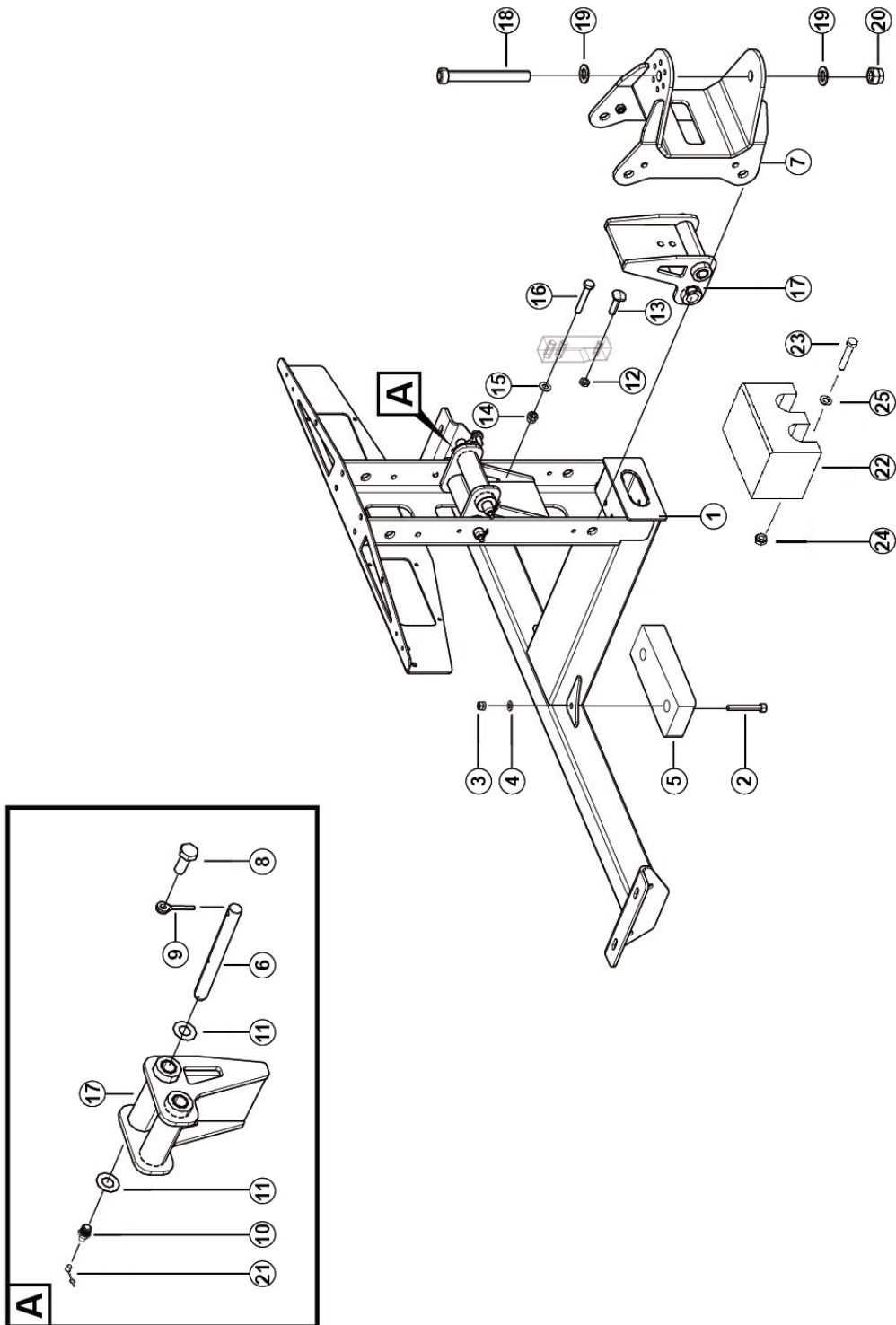


K2100-2521004048.S1C-G1

Item	Part No.	Name	Qty.	Remark
1	25210058973	Platform support	1	
2	4014010455	No longer used-Screw GB70.1-M10*40fZnyc-8.8	2	
3	4013010296	Nut GB889.1-M10fZnyc-8	2	
4	4015010339	Washer GB97.1-10fZnyc-300HV-480	2	
5	25210059301	Anti-collision rubber seat	1	
6	25210041111	Transition bracket pin 24.9*195	4	
7	25210028164	Swing motor mounting bracket	1	
8	4011010748	Bolt GB5783-M10*20fZnyc-8.8-480	4	
9	25200008311	Latch	4	
10		No longer used-Grease nipple JB7940.1-M6		For illustration
11	25210028481	Adjusting gasket 55*26*1	8	
12	4013010315	Nut GB6172.1-M12fZnyc-8-480	1	
13	25210036551	Adjusting bolt M12*45	1	
14	4013010301	Nut GB889.1-M12fZnyc-8-480	2	
15	4015010340	Washer GB97.1-12fZnyc-300HV-480	2	
16	4011010956	Bolt GB5782-M12*70fZnyc-8.8-480	2	
17	25210059352	Triangle bracket assy	2	
18	4014010444	Screw GB70.1-M24*280fZnyc-10.9-480	1	
19	4015010364	Washer GB97.1-24fZnyc-300HV-480	2	
20	4013010417	Nut GB889.1-M24fZnyc-10-480	1	
21	4030100411	No longer used-Grease nipple dust cap M6	4	
22	25210059361	Limit block	1	

F2100-2521004048.S1C-G4

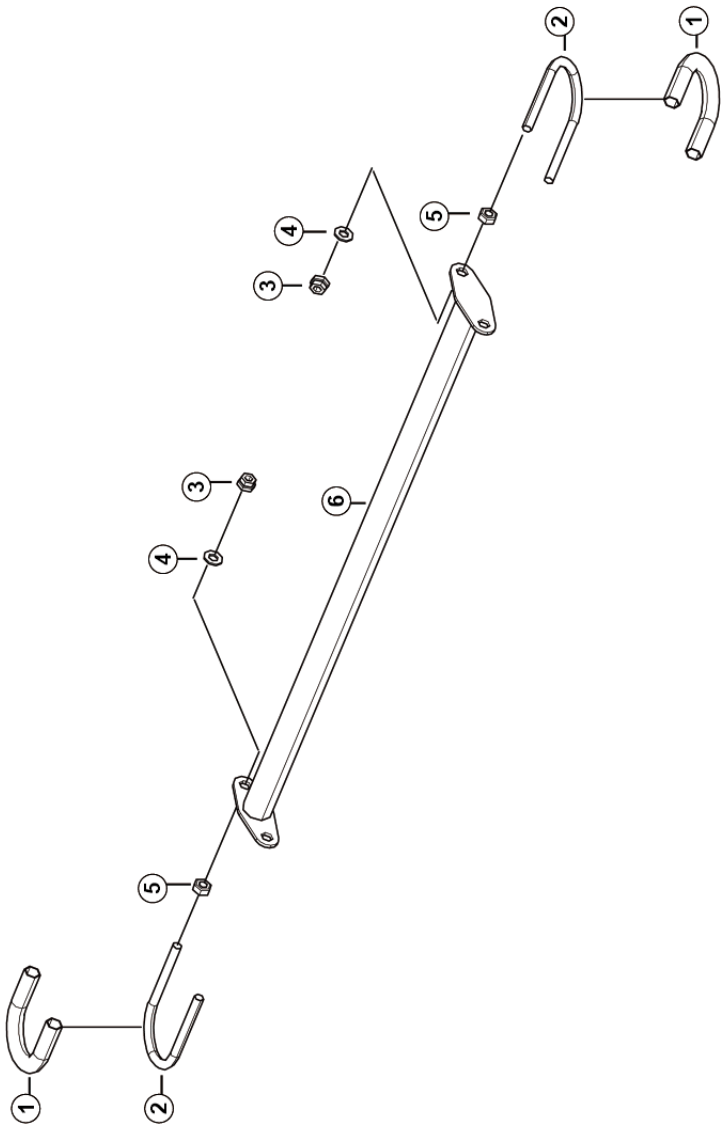
Platform support assy



K2100-2521004048.S1C-G1

F2100-2521003957.S-G3

Sliding rail with U-bolts assy



K2100-2521003957.S



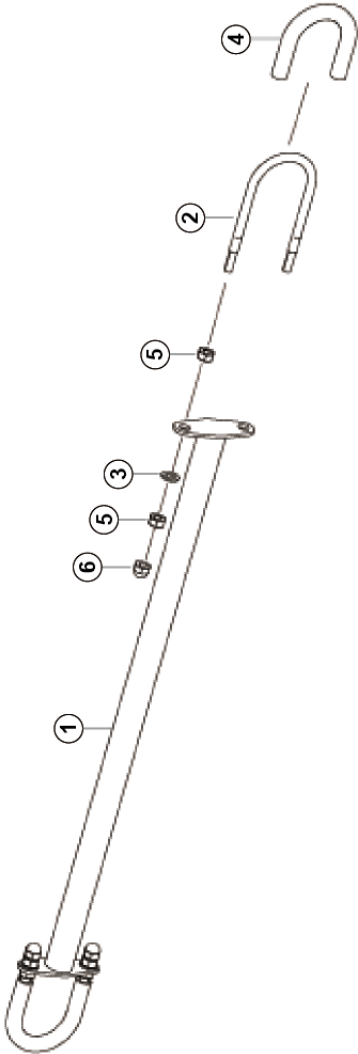
Platform Components

Item	Part No.	Name	Qty.	Remark
1	25210007181	Hose	2	
2		U-bolt		For illustration
3	4013000210	Nut GB889.1-M8EpZn-8	4	
4	4015000072	Washer GB97.1-8EpZn-300HV	4	
5	4013000033	Nut GB6170-M8EpZn-8	4	
6	25210039561	Lifting rod	1	



F2100-2521005833.S1A-G3

Sliding rail with U-bolts



K2100-2521005833.S1A

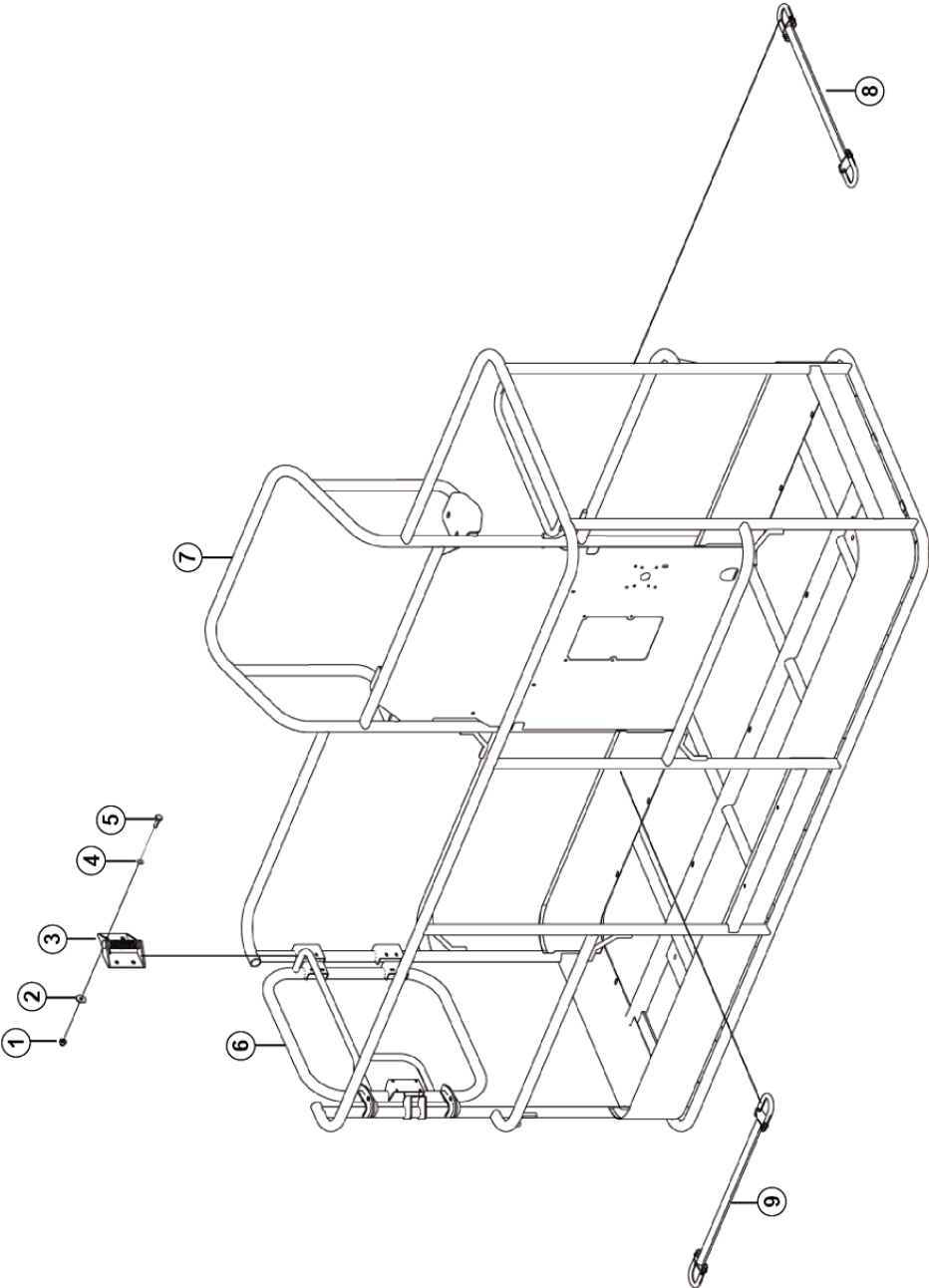


Platform Components

Item	Part No.	Name	Qty.	Remark
1		Lifting rod wldmt		For illustration
2		U-bolt		For illustration
3	4015010280	Washer GB97.1-8flZnyc-300HV-480	4	
4	25210007181	Hose	2	
5	4013010291	Nut GB6170-M8flznyc-8-480	8	
6	4013010381	Nut GB923-M8flZnyc-8-480	4	

F2100-2521005712.S-G3

Platform frame assy

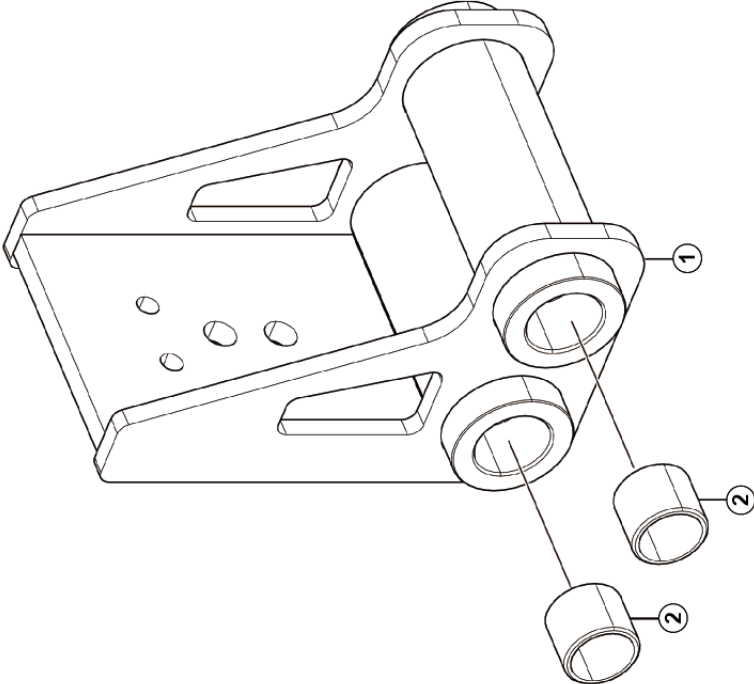


K2100-2521005712.S

F2100-2521005935.S1A-G2

Triangular bracket assy

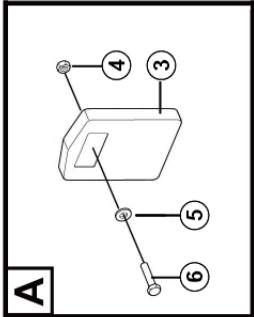
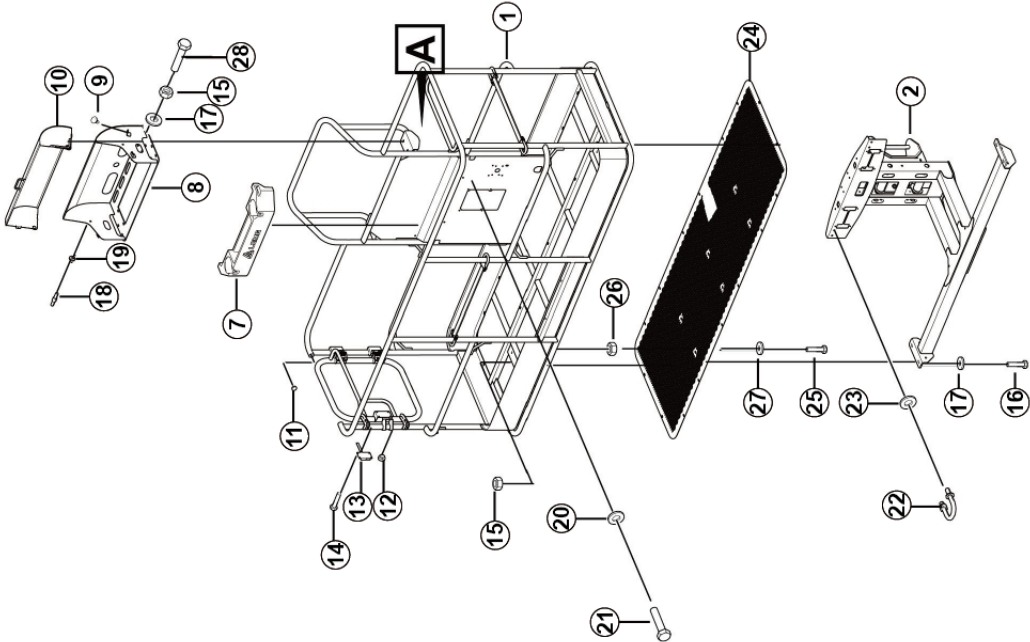
K2100-2521005935.S1A



F2100-2521004169.S1D-G2

Platform assy

K2100-2521004169.S1D

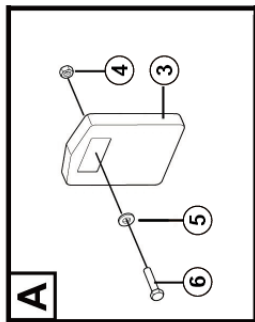
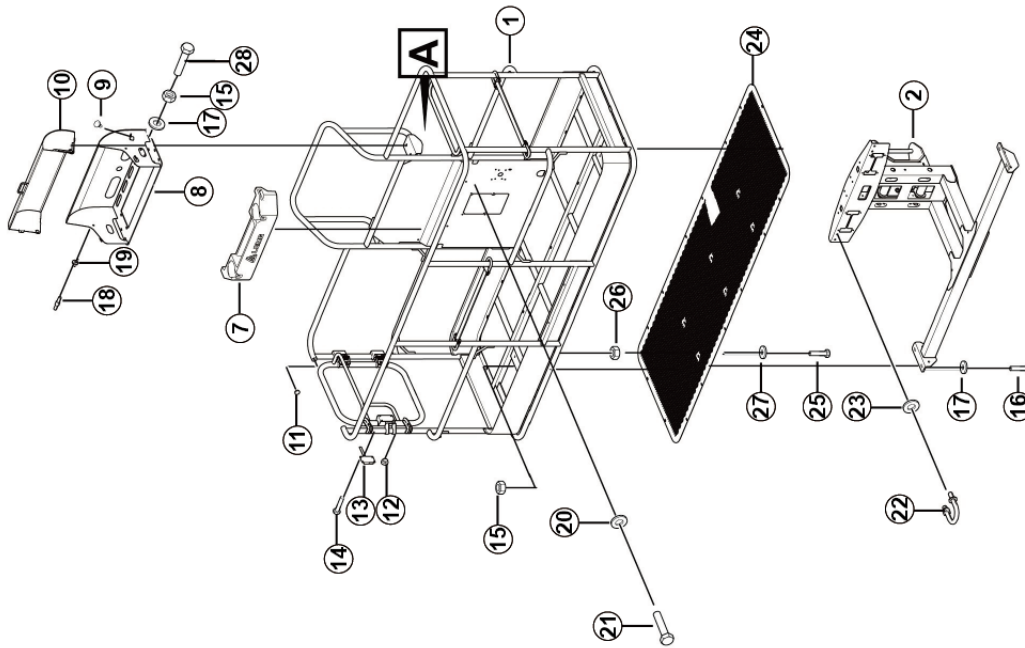


Item	Part No.	Name	Qty.	Remark
1	25210057124	Platform framework assy	1	
2		Platform support assy		For illustration
3	25210000821	File box	1	
4	4013010300	Nut GB889.1-M6flznyc-8-480	12	
5	4015010284	Washer GB97.1-6flznyc-300HV-480	12	
6	4011010757	Bolt GB16674-M6*20flznyc-8.8	4	
7	4190704822	Platform tool box LG21-GJH-01	1	
8	25210059653	Protective mount	1	
9	4090100284	Foot pad POF-40022	4	
10	25210059731	Arc shield	1	
11	4190704561	Dome plug 466860	2	
12	25210051481	Three-door crash pad	2	
13	4190704978	Platform swing gate latch CCM-S501	1	
14	4011010744	Bolt GB5783-M6*20flznyc-8.8-480	4	
15	4013010296	Nut GB889.1-M10flznyc-8	16	
16	4011010727	Bolt GB5783-M10*35flznyc-8.8-480	1	
17	4015010278	Washer GB96.1-10flznyc-300HV-480	18	
18	25210057342	Double threaded post	2	
19	25210057401	Spacer sleeve	2	
20	4015010296	Washer GB96.1-6flznyc-300HV-480	4	
21	4014010252	Screw GB70.1-M6*35flznyc-8.8-480	4	
22	25210033691	U-bolt	2	

F2100-2521004169.S1D-G2

Platform assy

K2100-2521004169.S1D





Platform Components

Item	Part No.	Name	Qty.	Remark
23	4015010339	Washer GB97.1-10flZnyc-300HV-480	6	
24	25210058171	Baseplate assy	1	
25	4011010711	Bolt GB5783-M8*20flznc-8.8-480	22	
26	4013010383	Nut QC339-M8flZnyc-8-480	22	
27	4015010289	Washer GB96.1-8flZnyc-300HV-480	22	
28	4011010707	Bolt GB5783-M10*30flznc-8.8-480	1	

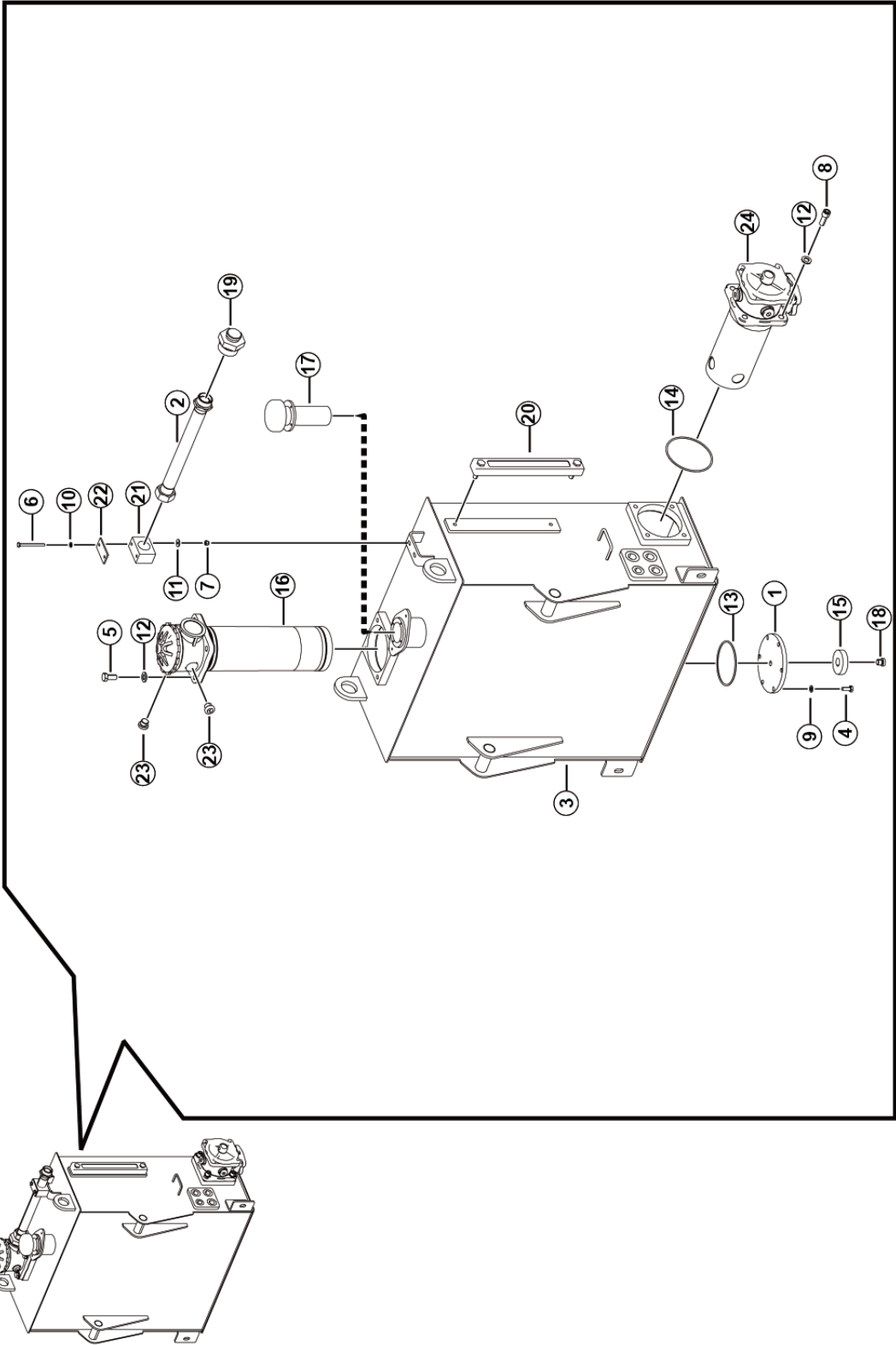


H

**Hydraulic Hose Routing and
Fittings**

H1000-2510000783.S1B-G1

Hyd oil tank delivered assembled

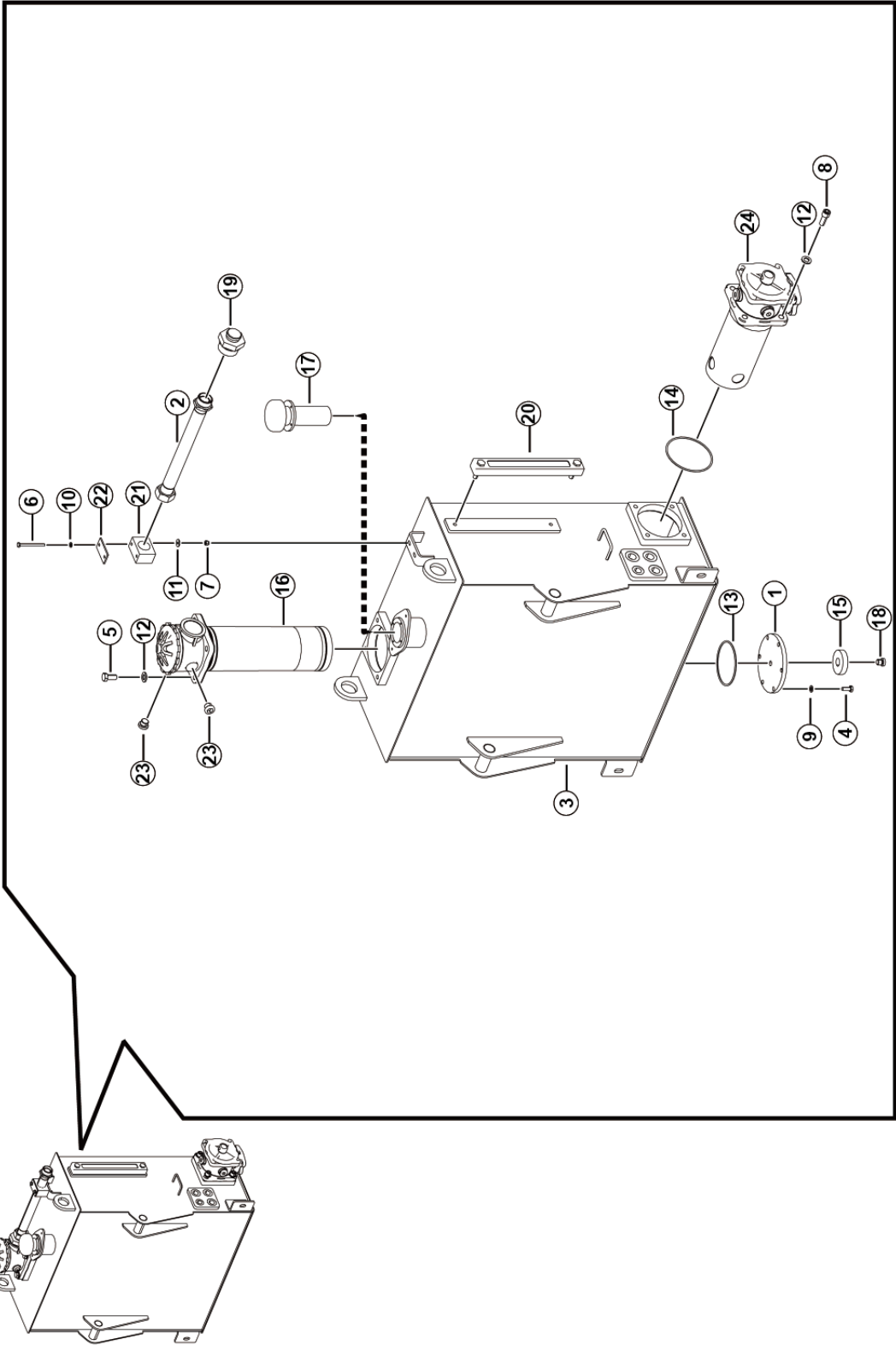


L1000-2510000783.S1B

Item	Part No.	Name	Qty.	Remark
1		Oil draining hole cover		For illustration
2	25100006921	Pipe assy	1	
3		Hyd oil tank wldmt assy		For illustration
4	4011010711	Bolt GB5783-M8*20flznyc-8.8-480	6	
5	4011011038	Bolt GB5783-M12*25flznyc-8.8-480	4	
6	4011011079	Bolt GB5782-M6*65flznyc-8.8-480	2	
7	4013010300	Nut GB889.1-M6flznyc-8-480	2	
8	4014010655	SCREW GB70.1-M12*30flznyc-8.8-480	4	
9	4015010280	Washer GB97.1-8flznyc-300HV-480	6	
10	4015010284	Washer GB97.1-6flznyc-300HV-480	2	
11	4015010296	Washer GB96.1-6flznyc-300HV-480	2	
12	4015010340	Washer GB97.1-12flznyc-300HV-480	8	
13	4030000134	O-ring GB3452.1-100*3.55G	1	
14	4030000619	O-ring GB3452.1-109*3.55G	1	
15	4120000669	Ring magnet LG03-CT58*20*13	1	
16	4120001419	Oil return filter	1	
17	4120001427	Air filter EF2-32	1	
18	4120002398	Plug 4MN-14WD	1	
19	4120703560	Joint 1CM-36-48WD	1	
20	4120703948	Liquid level gauge YWZ-250T	1	
21	4120704063	Clamp TLPG-430	1	
22	4120704109	Cover plate TL-G4	1	

H1000-2510000783.S1B-G1

Hyd oil tank delivered assembled

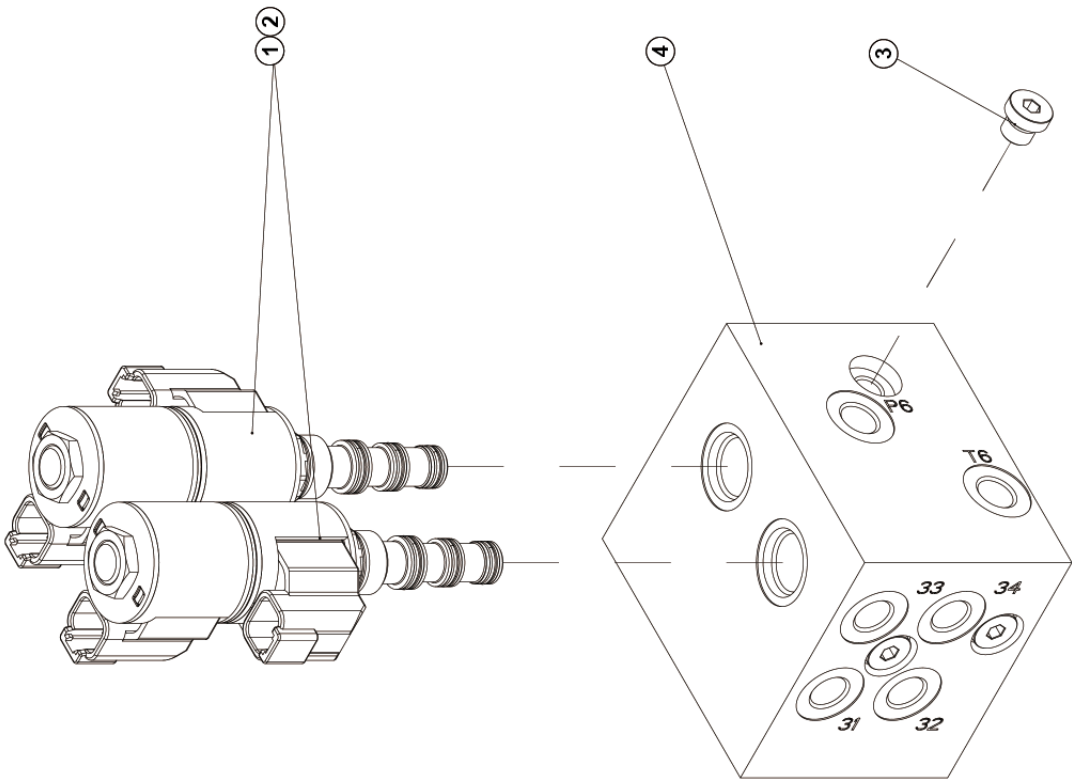


L1000-2510000783.S1B

H2700-4120709068

Platform control valve manifold ST5745-AB00

L2700-4120709068





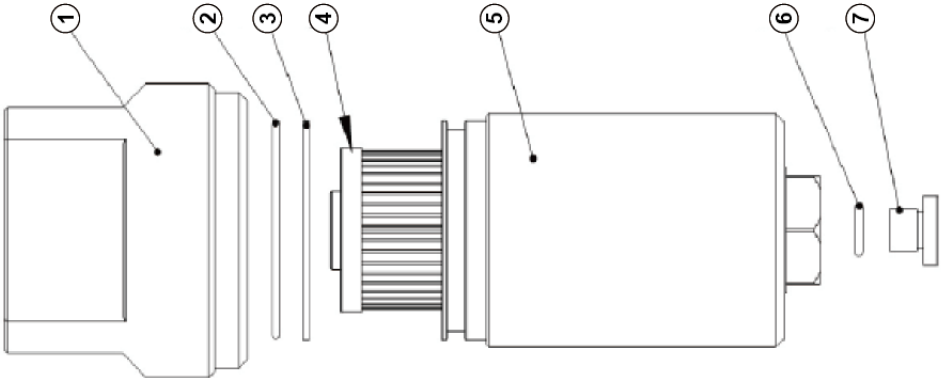
Hydraulic Hose Routing and Fittings

Item	Part No.	Name	Qty.	Remark
1	4120002602007	Solenoid valve SV08-47D-0-N-0	1	
2	4120001571010	Solenoid 54.2*36.3	1	
3	4129900116002	Plug 4BN-02WD	1	
4	4120709068001	Manifold block ST5745-A000M	1	

H2300-4120001428-G1

High pressure filter assy KGLB-0080005L

L2300-4120001428





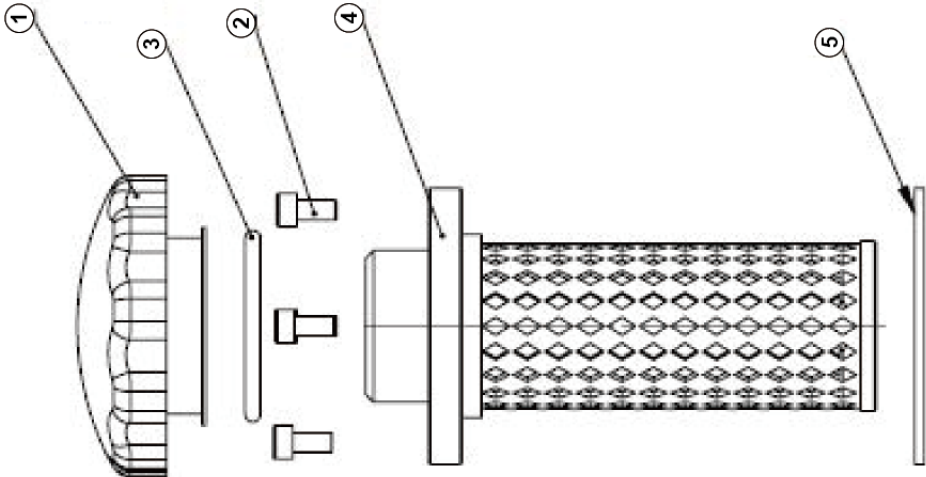
Hydraulic Hose Routing and Fittings

Item	Part No.	Name	Qty.	Remark
1	4120001428002	Filter head KC20G01-001	1	
2	4120001428003	O-ring GB3452.1-67*3.55	1	
3	4120001428004	Polytetrafluoroethylene ring KC20G01-003-72.8*67.3*2	1	
4	4120001428001	Filter element GFX-80*5	1	
5	4120001428006	Filter cartridge KC20G01-002	1	
6	4120001428007	Sealing ring DIN3869-15.7*20.9*1.5	1	
7	4120001428008	Plug KC20G01-004 (M18*1.5)	1	

H2201-4120001427-G2

Air filter EF2-32 (10293)

L2201-4120001427



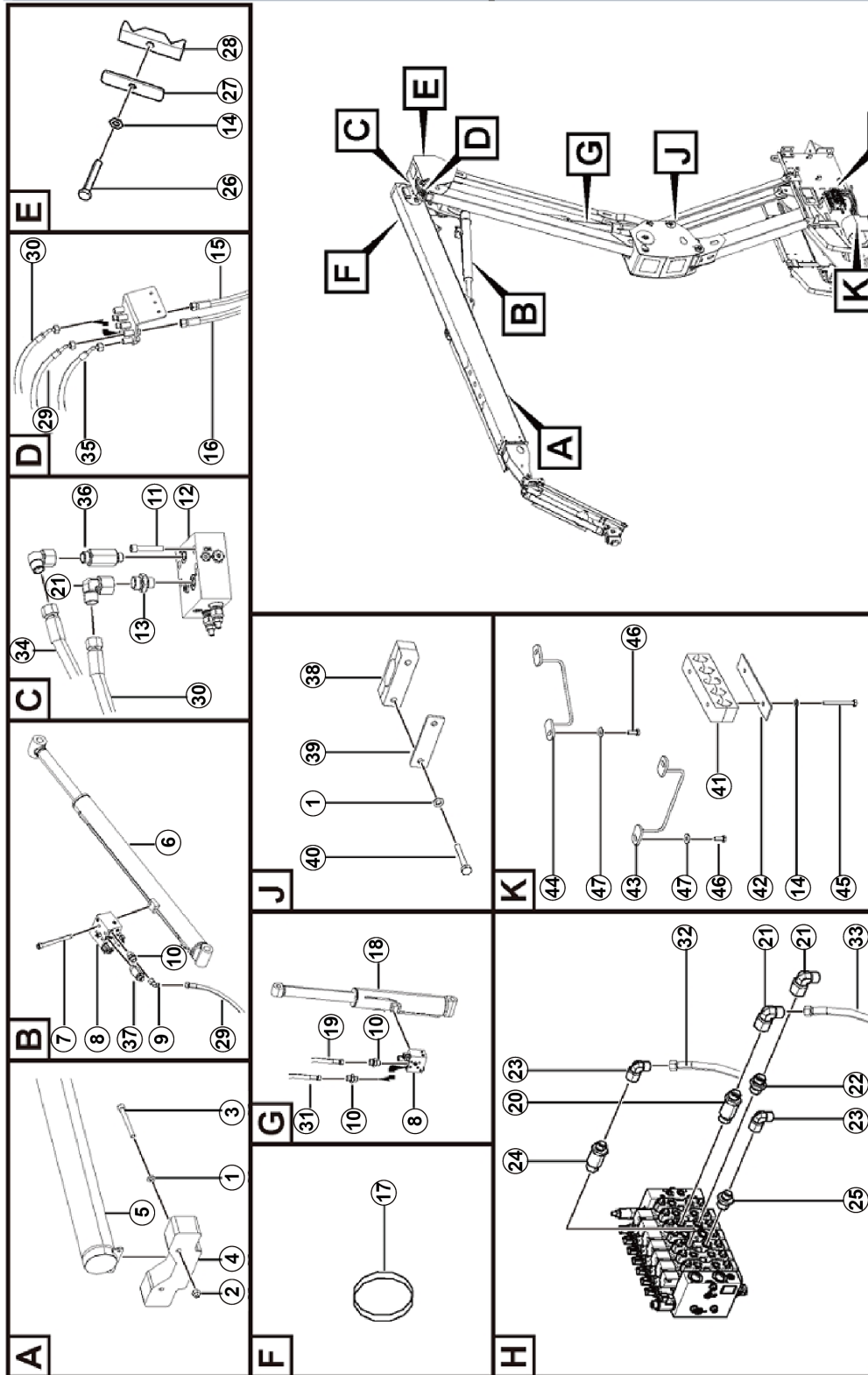


Hydraulic Hose Routing and Fittings

Item	Part No.	Name	Qty.	Remark
1	4120001427001	Cover ST4732-A00AM	1	
2	4120001427002	Screw M4*10	4	
3	4120001427003	Sealing ring 40*3.55	1	
4	4120001427004	Oil filling filtering screen FR08-20F-0-NM3.8	1	
5	4120001427005	Gasket $\Phi 70 \times \Phi 47 \times 2$	1	

H0800-2508001106.S1F-G1

Lift hyd assy

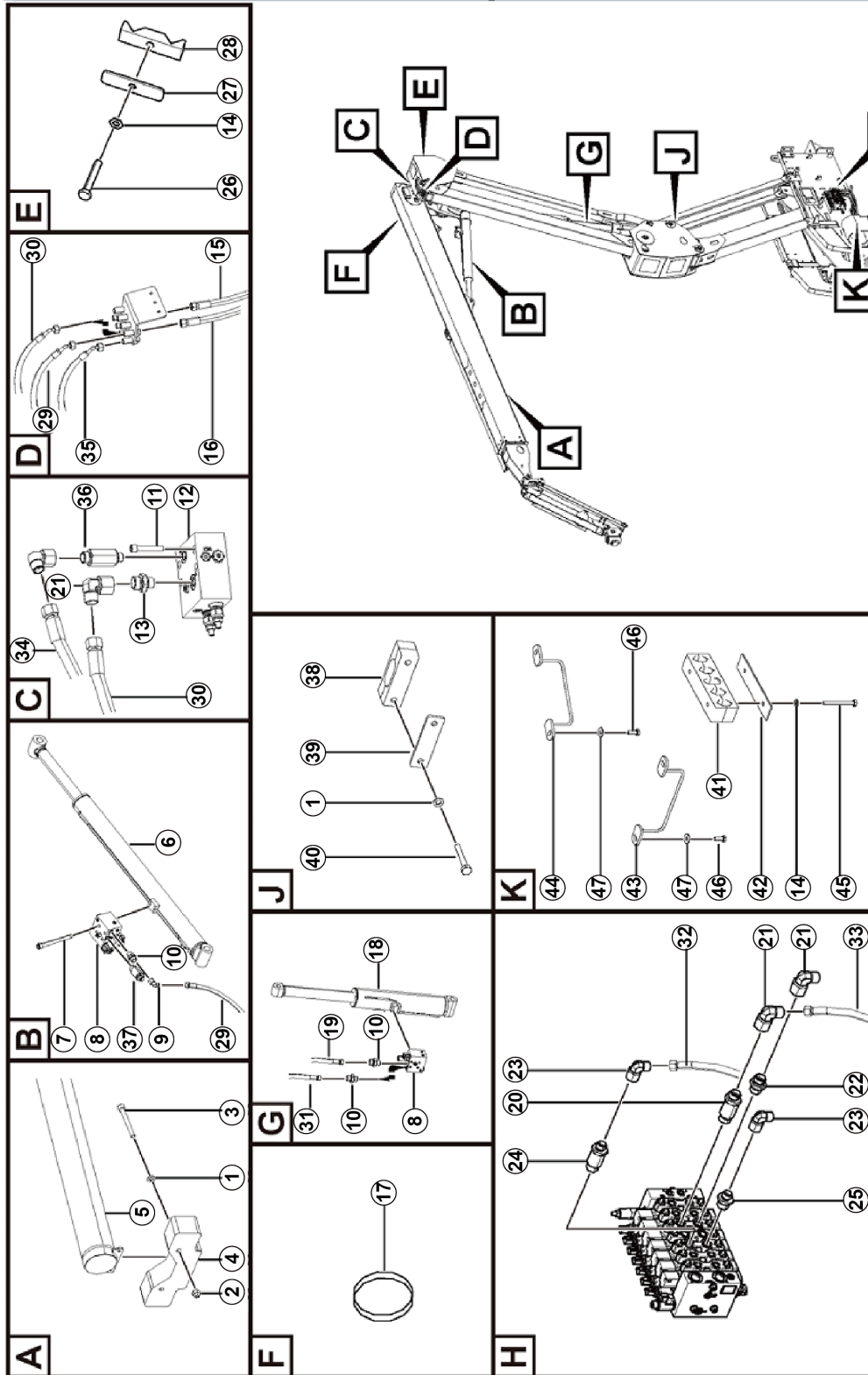


L0800-2508001106.S1F

Item	Part No.	Name	Qty.	Remark
1	4015010284	Washer GB97.1-6flZnyc-300HV-480	4	
2	4013010300	Nut GB889.1-M6flznc-8-480	2	
3	4014010512	Screw GB70.1-M6*50flZnyc-12.9-480	2	
4	25220046761	Backing block	1	
5	4120709543	Telescopic booms ext/ret hyd cyl 80*60*4353-170	1	
6	4120712092	Telescopic booms lift cyl 115*75*1067- 1953	1	
7	4014010609	Screw GB70.1-M8*80flZnyc-10.9-480	8	
8	4120710965	Lift solenoid valve ST5713-AB0F	2	
9	4120705901	Joint EV12LOMD	2	
10	4120001224	Joint GE12LREDOMDCF	4	
11	4014010345	Screw GB70.1-M8*45flZnyc-10.9-480	4	
12	4120709014	Telescopic balancing valve ST5465-A00A	1	
13	4120706923	Straight joint GE15LR3/8EDOMDCF	2	
14	4015010280	Washer GB97.1-8flZnyc-300HV-480	3	
15	4120711432-001	Hose F471TCCACA151208-8800- AS8000	1	
16	4120711430-001	Hose F471TCCACA121206-8800- AS8000	1	
17	4120709870	Tie ZD-L900-W25-LJK	3	
18		Sec boom lift cyl 150*95*651-1002		For illustration
19	4120711431-001	Hose F471TCCACA121206-6100- AS4200	1	
20	4120709578	Elevated joint GE15LREDOMDCF-H70	1	
21	4129900308	Joint EW15LOMDA3C	4	
22	4120002235	Joint GE15LREDOMDCF	1	

H0800-2508001106.S1F-G1

Lift hyd assy

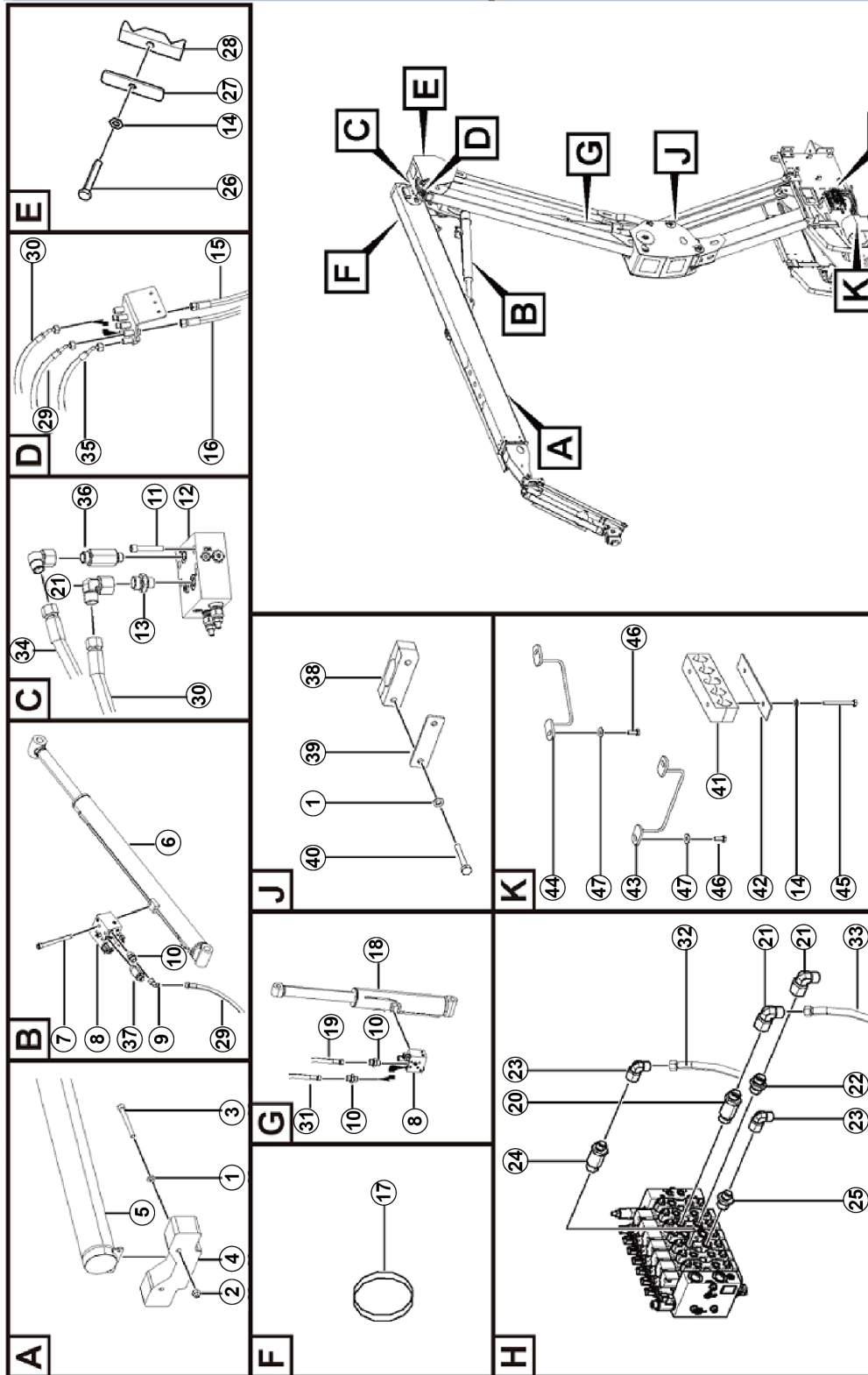


L0800-2508001106.S1F

Item	Part No.	Name	Qty.	Remark
23	4129900314	Joint EW12LOMDA3C	4	
24	4120706929	Elevated joint GE12LR1/2EDOMDCF-H65	2	
25	4120001373	Joint GE12LR1/2EDOMDCF	2	
26	4011010736	Bolt GB5782-M8*50fIZnyc-8.8-480	1	
27	25080000151	Plate	1	
28	25080000143	Clamp 2	2	
29	4120711770	Hose F471TCCACE121206-2600-AS1700	1	
30	4120711769	Hose F471TCCACE121508-1400-AS1300	1	
31	4120711431	Hose F471TCCACA121206-6100-AS4200	1	
32	4120711430	Hose F471TCCACA121206-8800-AS8000	1	
33	4120711432	Hose F471TCCACA151208-8800-AS8000	1	
34	4120711769-001	Hose F471TCCACE121508-1400-AS1300	1	
35	4120711770-001	Hose F471TCCACE121206-2600-AS1700	1	
36	4120708933	Straight joint GE15LR3/8EDOMDCF-H75	1	
37	4120706890	Elevated joint GE12LREDOMDCF-H60	1	
38	25080011131	Clamp	2	
39	25080011142	Clamp platen	1	
40	4011010997	Bolt GB5783-M6*40fIZnyc-8.8-480	2	
41	25080010942	Clamp	2	
42	25080010952	Platen	1	
43	25080011082	Fixing round steel	1	
44	25230022412	Fixing round steel	1	

H0800-2508001106.S1F-G1

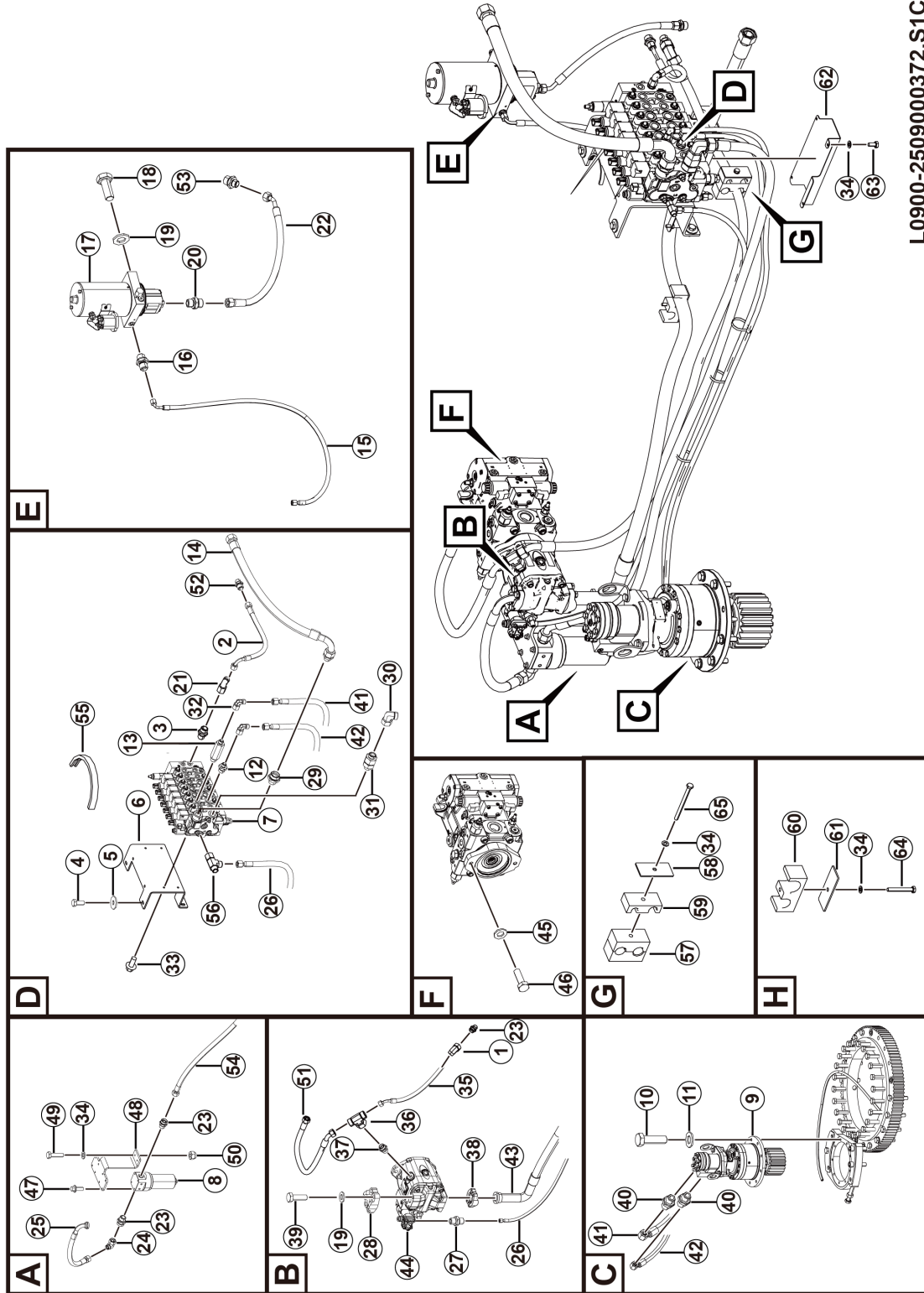
Lift hyd assy



L0800-2508001106.S1F

H0900-2509000372.S1C-G1

Turntable hyd assy

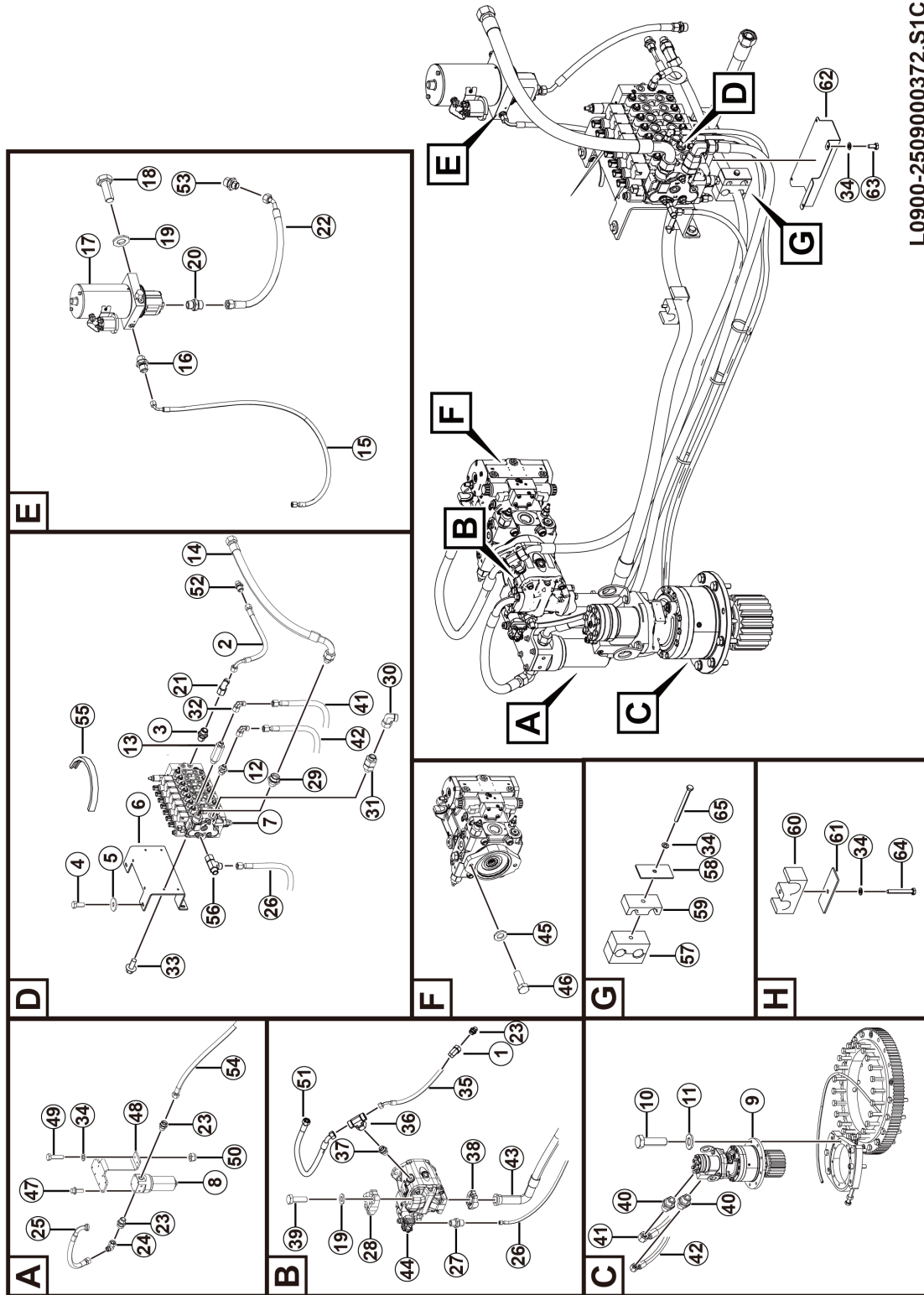


L0900-2509000372.S1C

Item	Part No.	Name	Qty.	Remark
1	4120708568	Joint EV18LOMDCF	1	
2	4120711317-001	Hose F481CACE101005-470	1	
3	4120001188	Joint GE10LREDOMDCF	1	
4	4011011038	Bolt GB5783-M12*25flZnyc-8.8-480	4	
5	4015010286	Washer GB96.1-12flZnyc-300HV-480	4	
6	25090003711	Main valve mounting plate	1	
7	4120711024	Multi-way valve MX10-G4	1	
8	4120001428	High pressure filter KGLB-0080005L	1	
9	4120710437	Swing drive FSA80-17A36	1	
10	4011010962	Bolt GB5783-M14*45flZnyc-10.9-480	9	
11	4015010341	Washer GB97.1-14flZnyc-300HV-480	9	
12	4120001391	Joint GE08LR3/8EDOMDCF	1	
13	4120709790	Elevated joint GE08LR3/8EDOMDCF-H55	1	
14	4120710456-001	Hose FOSD150CACF282816-860	1	
15	4120709212-001	Hose F471TCCACF080804-700	1	
16	4120001170	Joint GE08LREDOMDCF	3	
17	4120709047	Emergency power unit MD12200-01	1	
18	4011010722	Bolt GB5783-M10*25flznc-8.8-480	2	
19	4015010339	Washer GB97.1-10flZnyc-300HV-480	10	
20	4120706440	Filter joint 1CB-18-06 (40 mesh)	1	
21	4120001166	Joint EW10LOMDCF	1	
22	4120707172-006	Hose F481CACE121206-460	1	

H0900-2509000372.S1C-G1

Turntable hyd assy



L0900-2509000372.S1C

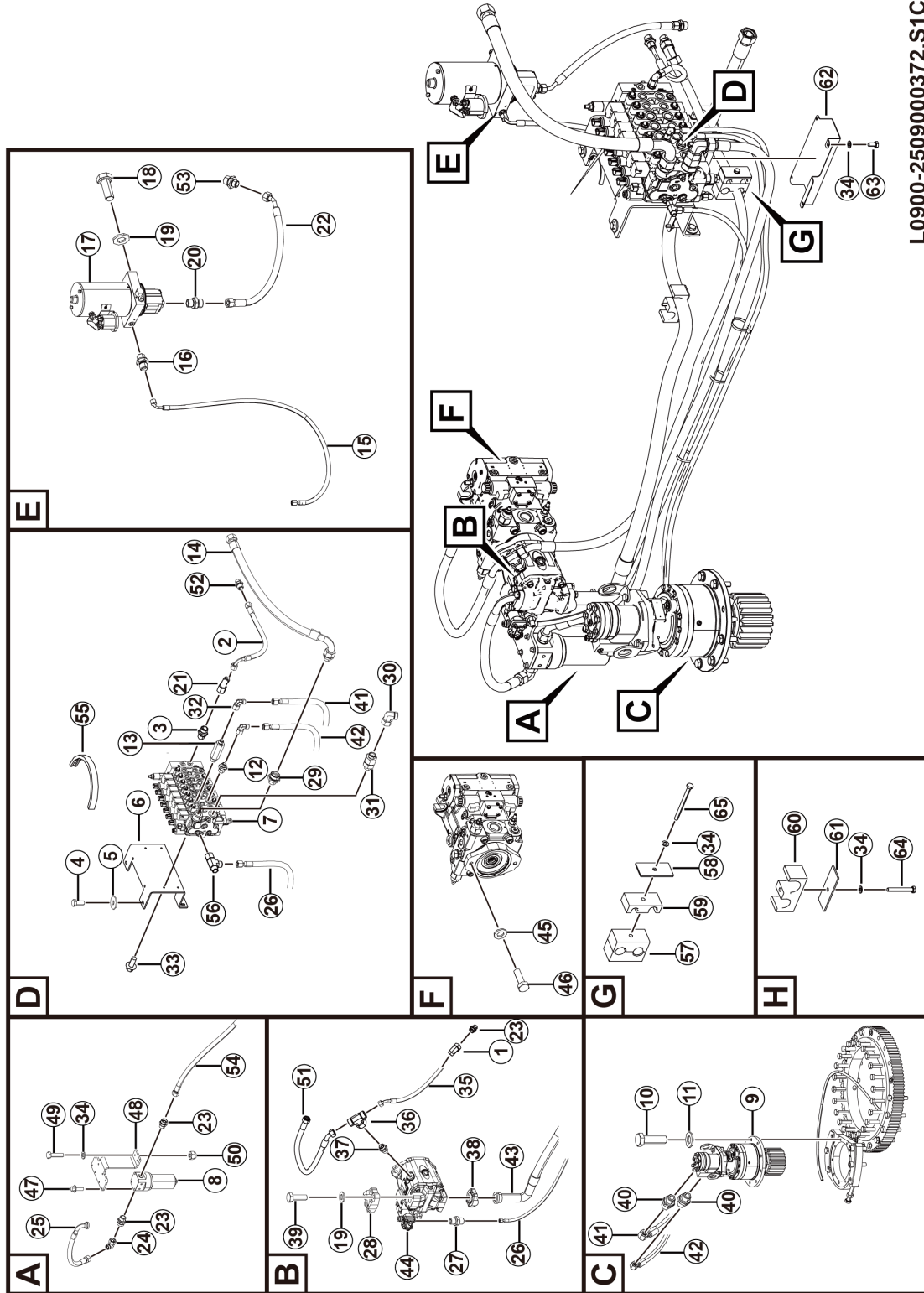


Hydraulic Hose Routing and Fittings

Item	Part No.	Name	Qty.	Remark
23	4120706945	Straight joint GE18LMEDOMD	4	
24	4129900311	Transition joint EW18LOMDA3C	2	
25	4120710203-003	Pipe F471TCCA19181210-500 (with O-ring)	1	
26	4120704423-001	Hose F481CACA080804-1850	1	
27	4120001177	Joint GE08L7/16UNFOMDCF	1	
28	4120000865	Split flange SAE FL-12Z	1	
29	4120704907	Joint GE28LR3/4EDOMDCF	1	
30	4120705621	Combination joint EW22LOMDCF	1	
31	4120708355	Check valve SY-RZ-L22-G3/4-0.5	1	
32	4190000698	Joint EW08LOMDA3C	3	
33	4011010964	Bolt GB16674.1-M8*16flZnyc-8.8-480	4	
34	4015010280	Washer GB97.1-8flZnyc-300HV-480	11	
35		Hose F481CACE181810-2000		For illustration
36	4120707096	Tee joint ET18LOMDCF	1	
37	4120708353	Straight joint GE18L3/4UNFOMDCF	1	
38	4120005128	Flange assy FL-20	1	
39	4011010707	Bolt GB5783-M10*30flznyc-8.8-480	8	
40	4120704961	Straight joint GE08L9/16UNFOMDCF	2	
41	4120706274-005	Hose FC402CACF080804-2150	1	
42	4120706274-004	Hose FC402CACF080804-2150	1	
43	4120711030	Hose FOSD150CA19 (H145) 282016-1900 (With O-ring)	1	
44	4120709541	Pump HP5V28/AV10RB2S1MA-L1-LG02	1	

H0900-2509000372.S1C-G1

Turntable hyd assy



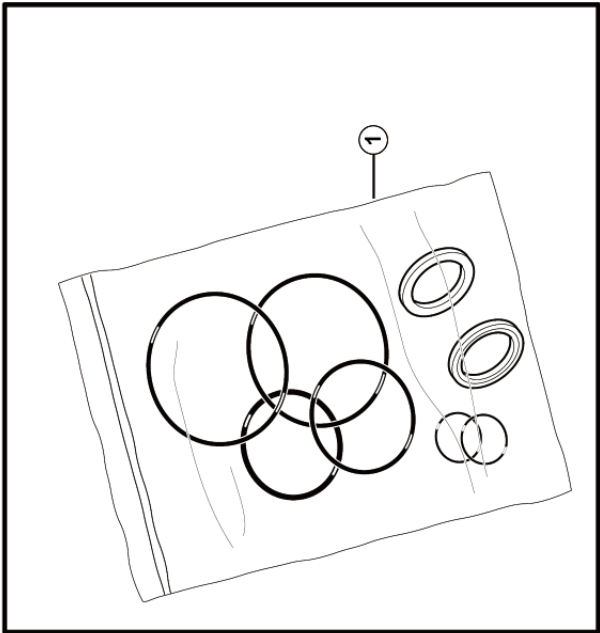
L0900-2509000372.S1C

Item	Part No.	Name	Qty.	Remark
45	4015010340	Washer GB97.1-12flZnyc-300HV-480	2	
46	4011010490	Bolt GB5783-M12*35flZnyc-10.9-480	2	
47	4011010966	Bolt GB16674.1-M8*20flZnyc-8.8-480	4	
48	25090003171	Filter mounting plate	1	
49	4011010708	Bolt GB5783-M8*30flznyc-8.8-480	2	
50	4013010297	Nut GB889.1-M8flznyc-8-480	2	
51	4120704468-001	Hose F481CACE181810-700	1	
52	4120707922	Straight joint GE10LM22*1.5EDOMDCF	1	
53	4120706930	Straight joint GE12LM22*1.5EDOMDCF	1	
54	4120711004-001	Hose F471TCCACE221810-2100	1	
55	25200012641	Sealing strip 360*10	2	
56	4190000208	Tee EL08LOMDA3C	1	
57	25080012121	Clamp 30*40*80	2	
58	25090003731	Clamp platen 40*80*3	1	
59	25090003751	Clamp 80*40*22	1	
60	25090003761	Clamp 104*42*40	2	
61	25090003771	Clamp platen 3*40*104	2	
62	25090003801	Shield	1	
63	4011010970	Bolt GB5783-M8*16flznyc-8.8-480	4	
64	4011010989	Bolt GB5782-M8*60flZnyc-8.8-480	2	
65	4011011002	Bolt GB5782-M8*100flZnyc-8.8-480	1	

H2700-4120705607

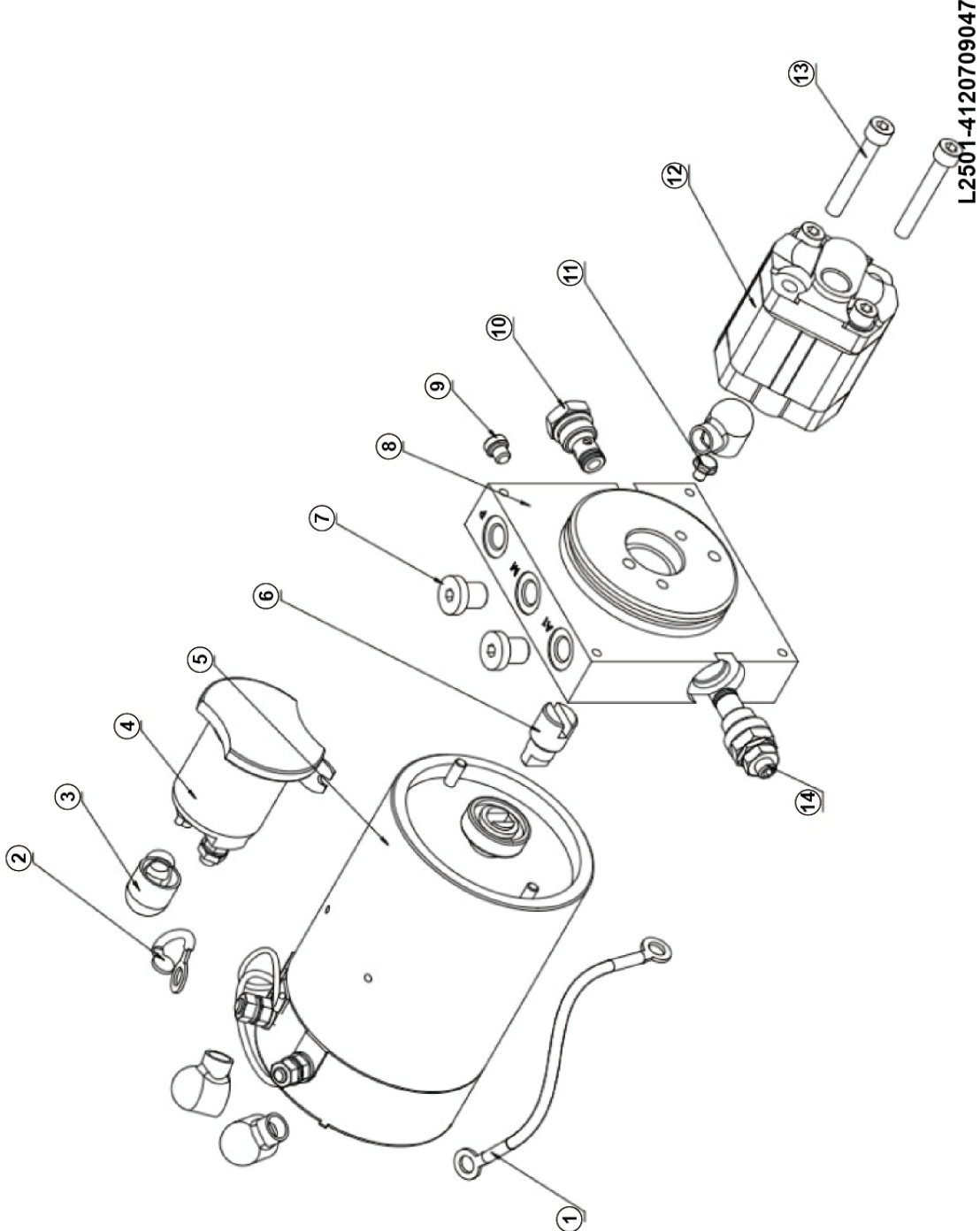
Jib hyd cylinder (10570)

L2700-4120705607



H2501-4120709047-G2

Emergency power unit MD12200-01 (10486)





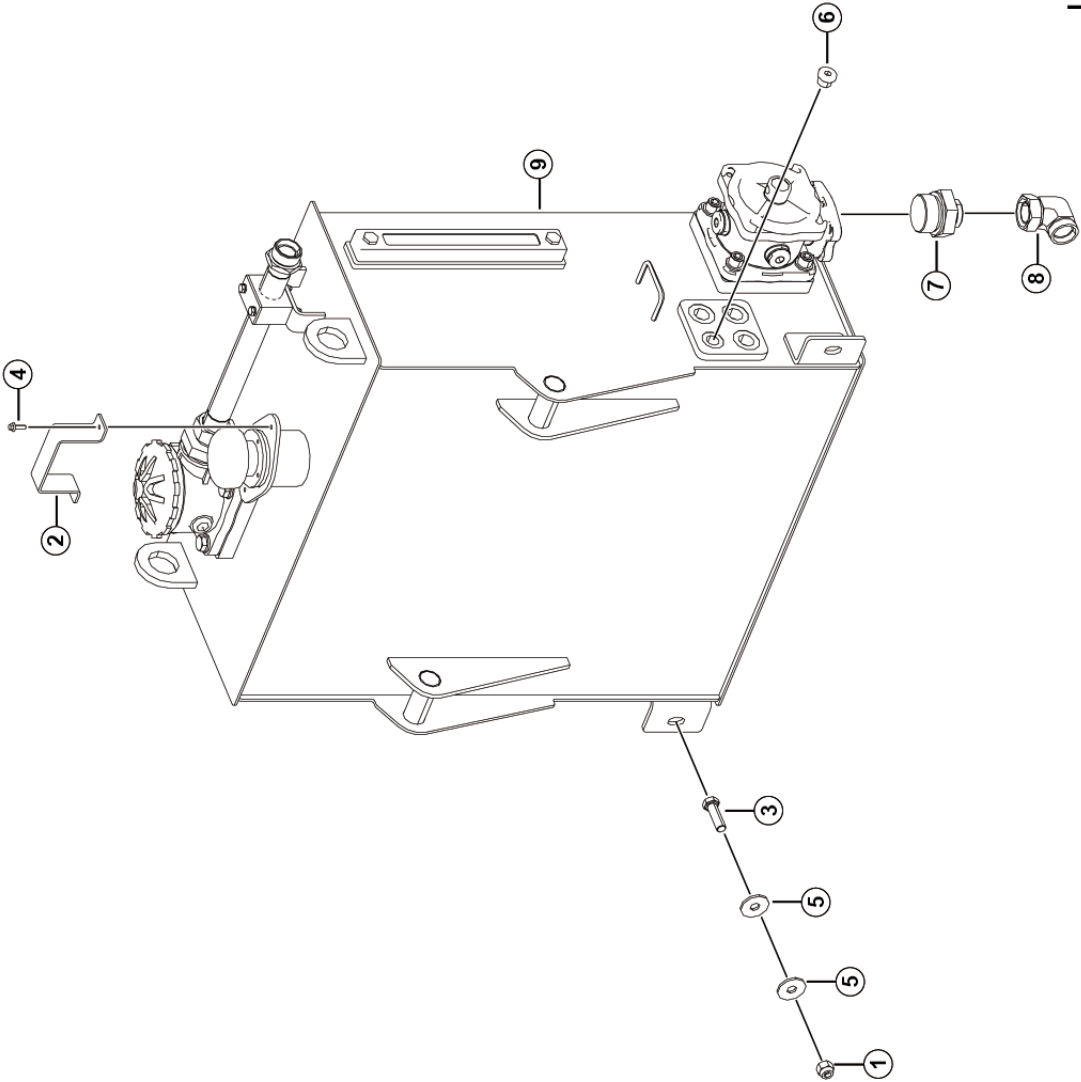
Hydraulic Hose Routing and Fittings

Item	Part No.	Name	Qty.	Remark
1	4120709047101	Relay connecting cable PR40800053 (25mm ² *250mm)	1	
2	4120706861002	Relay cable PR40800007	1	
3	4120709047102	Pipe shaped protective cover/red PR4080008	1	
4	4120709047103	Start switch PR40800006 (12V/250A)	1	
5	4120709047104	Electric motor PR40200062 (DC12V/ 2.2kW)	1	
6	4120703067008	Coupling PR40600006	1	
7		Plug G0101020021		For illustration
8	4120709047109	Manifold block E04P010101196	1	
9	4120709047105	Plug cover G0108000013 (G1/4,φ11.5/ R)	1	
10	4120703067011	Check valve PR20104034	1	
11	4120709047106	Bolt G0201040003 (GB5789-M6*8-8.8)	1	
12	4120709047107	Gear pump A01010420013	1	
13	4120706861009	Washer G0205030008	1	
14	4120709047108	Relief valve PR40400212 (ZRV-08-25)	1	

H1000-2510000777.S1A-G1

Hyd oil tank assy

L1000-2510000777.S1A





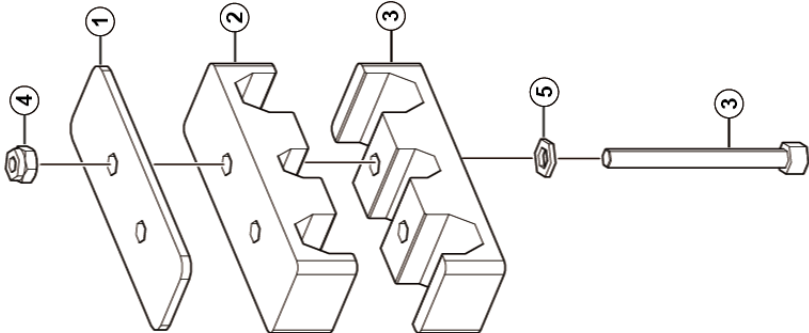
Hydraulic Hose Routing and Fittings

Item	Part No.	Name	Qty.	Remark
1	4013010301	Nut GB889.1-M12fZnyc-8-480	2	
2	25100003302	Filter backplate	1	
3	4011010979	Bolt GB5783-M12*40fZnyc-8.8-480	2	
4	4011011061	Bolt GB16674.1-M5*16fZnyc-8.8-480	2	
5	4015010286	Washer GB96.1-12fZnyc-300HV-480	4	
6	4120710008	Plug VSTI18*1.5EDCF	1	
7	4120703560	Joint 1CM-36-48WD	1	
8	4120000534	Transition joint EW28LOMDA3C	1	
9	25100007832	Hyd oil tank distribution assy	1	

H1200-2512000255.S1A-G1

Cable track pipe clamp assy

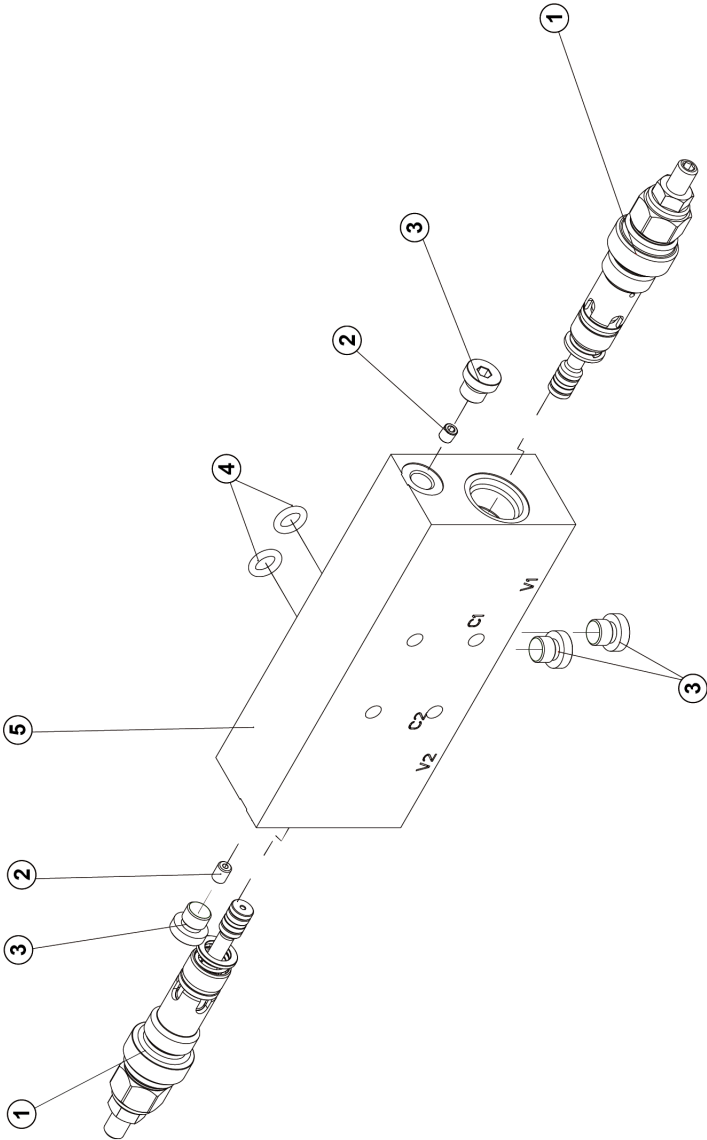
L1200-2512000255.S1A



H2700-4120707614

Jib counterbalance valve ST8234-A000

L2700-4120707614





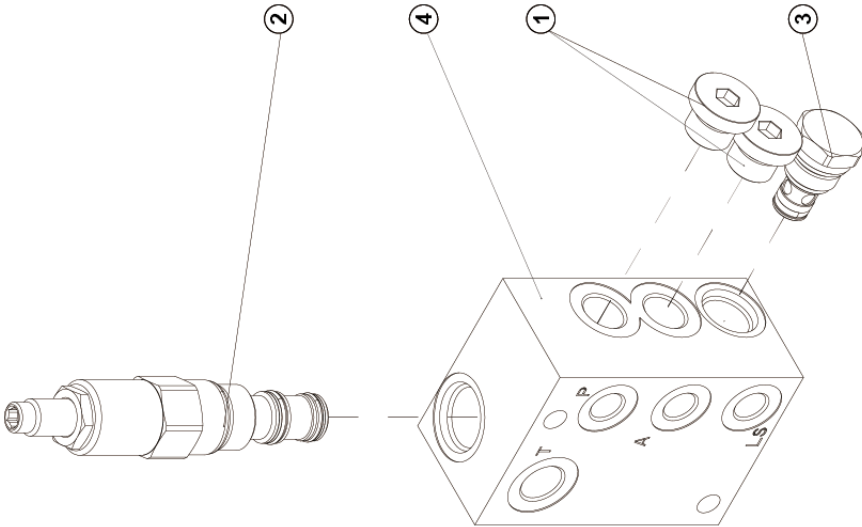
Hydraulic Hose Routing and Fittings

Item	Part No.	Name	Qty.	Remark
1	4120704653001	Balancing valve S31VTNP0404D000	2	
2	4120001159010	Orifice plate STTY002-0.6 (M6)	2	
3	4129900116002	Plug 4BN-02WD	4	
4	4120002399	O-ring 10.77*2.62	2	
5	4120707614001	Manifold block ST8234-A000M	1	

H2600-4120708648

Oscillate control valve manifold ST5698-A000

L2600-4120708648



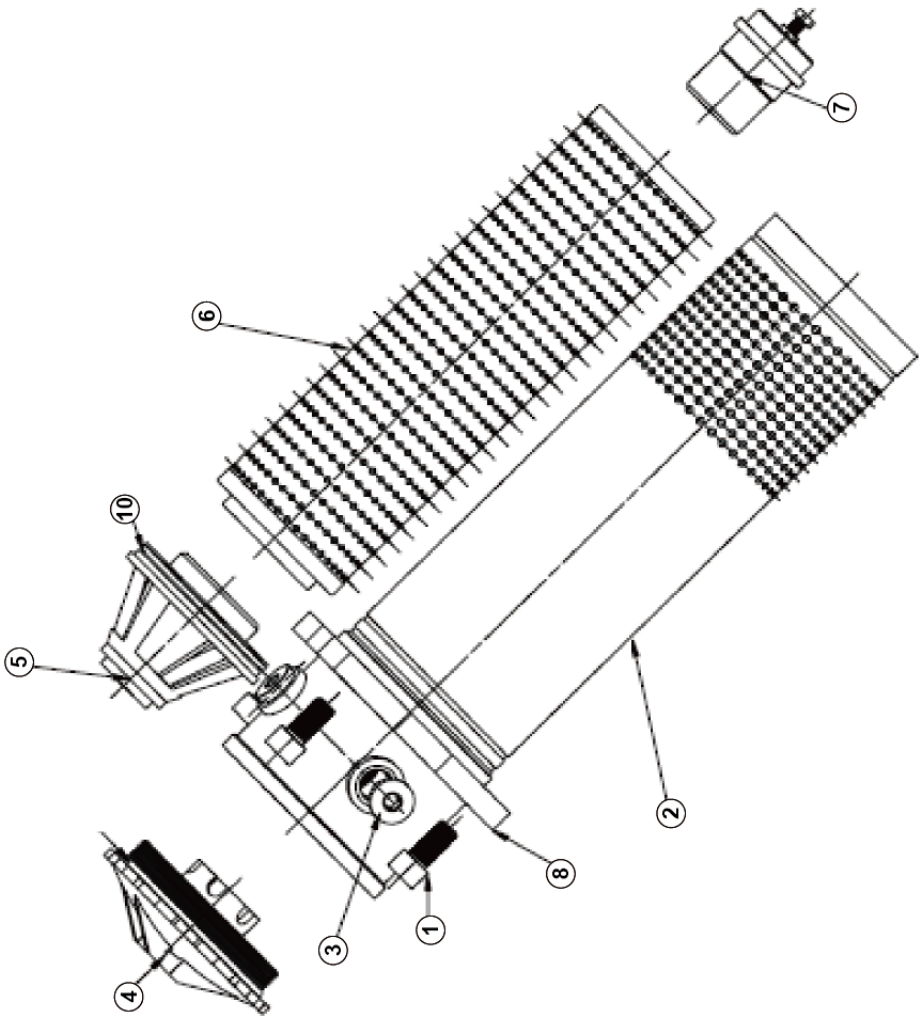


Hydraulic Hose Routing and Fittings

Item	Part No.	Name	Qty.	Remark
1	4120001493	Plug 4BN-06WD	2	
2	4120704543006	Pressure reducing valve PR10-32A-0-N-8/M35	1	
3	4120001490007	Check valve 36*22	1	
4	4120708648001	Manifold block ST5698-A00AM	1	

H2200-4120001419

Oil return filter



L2200-4120001419



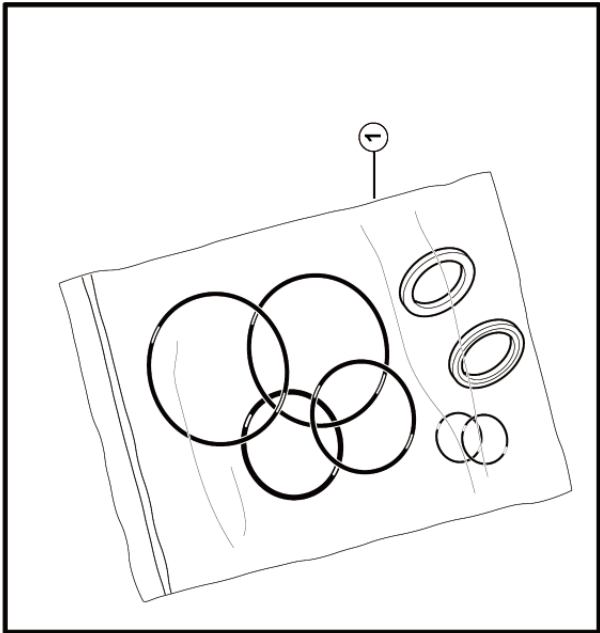
Hydraulic Hose Routing and Fittings

Item	Part No.	Name	Qty.	Remark
1	4120001419002	Screw M12*25	4	
2		Aluminum housing		For illustration
3	4120001419004	Plug M18*1.5	2	
4		Cast aluminum upper cover		For illustration
5		Bracket		For illustration
6	4120001419001	Oil return filter element FAX-160*10	1	
7		Bypass assy		For illustration
8		Filter head		For illustration
9	4120001419009	Rubber ring 953.55	1	
10	4120001419010	Rubber ring 853.55	1	

H1200-4120709550

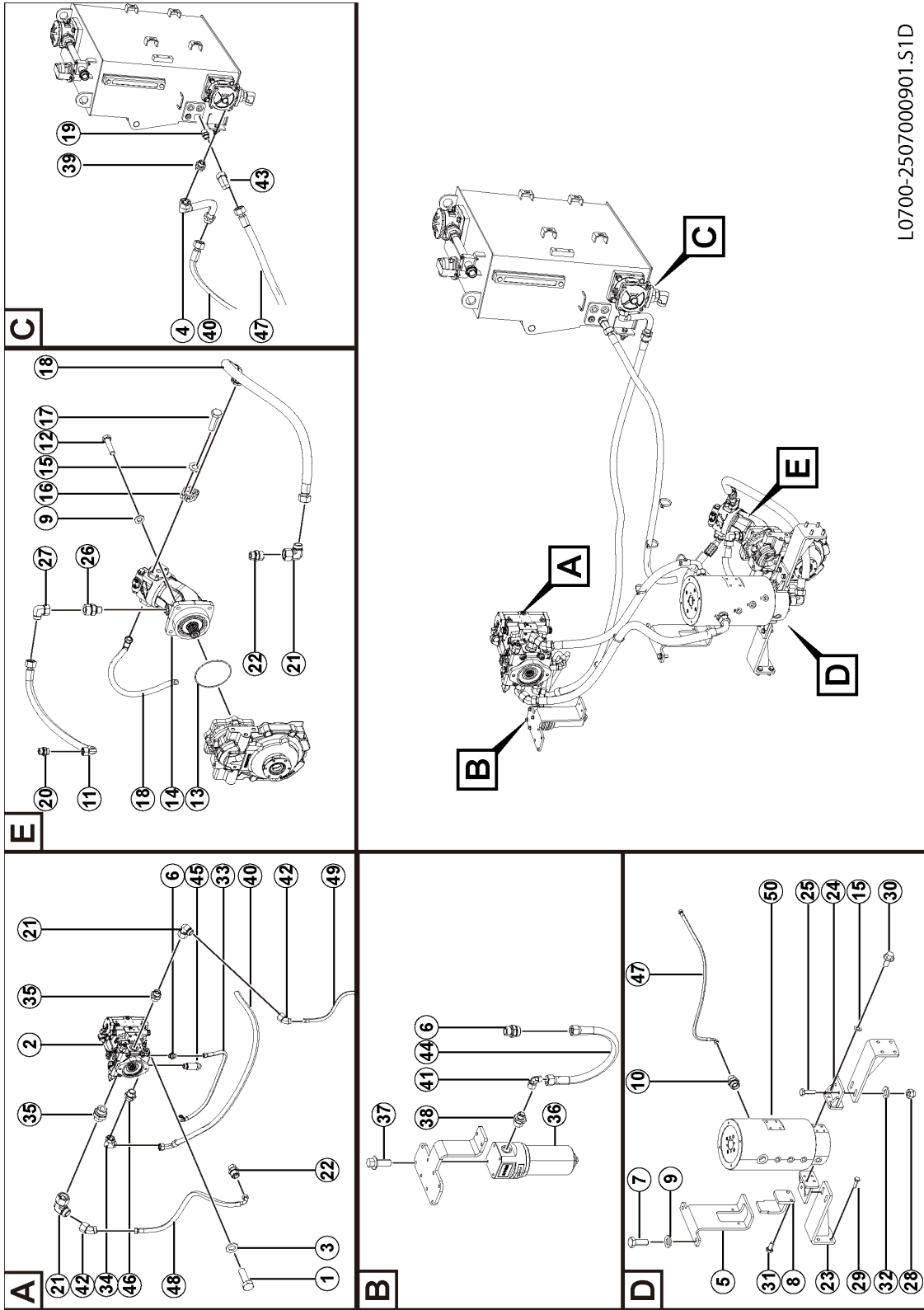
Upr level hyd cyl 90*45*345-697 (10570)

L1200-4120709550



H0700-2507000901.S1D-G1

Traveling hyd assy



L0700-2507000901.S1D

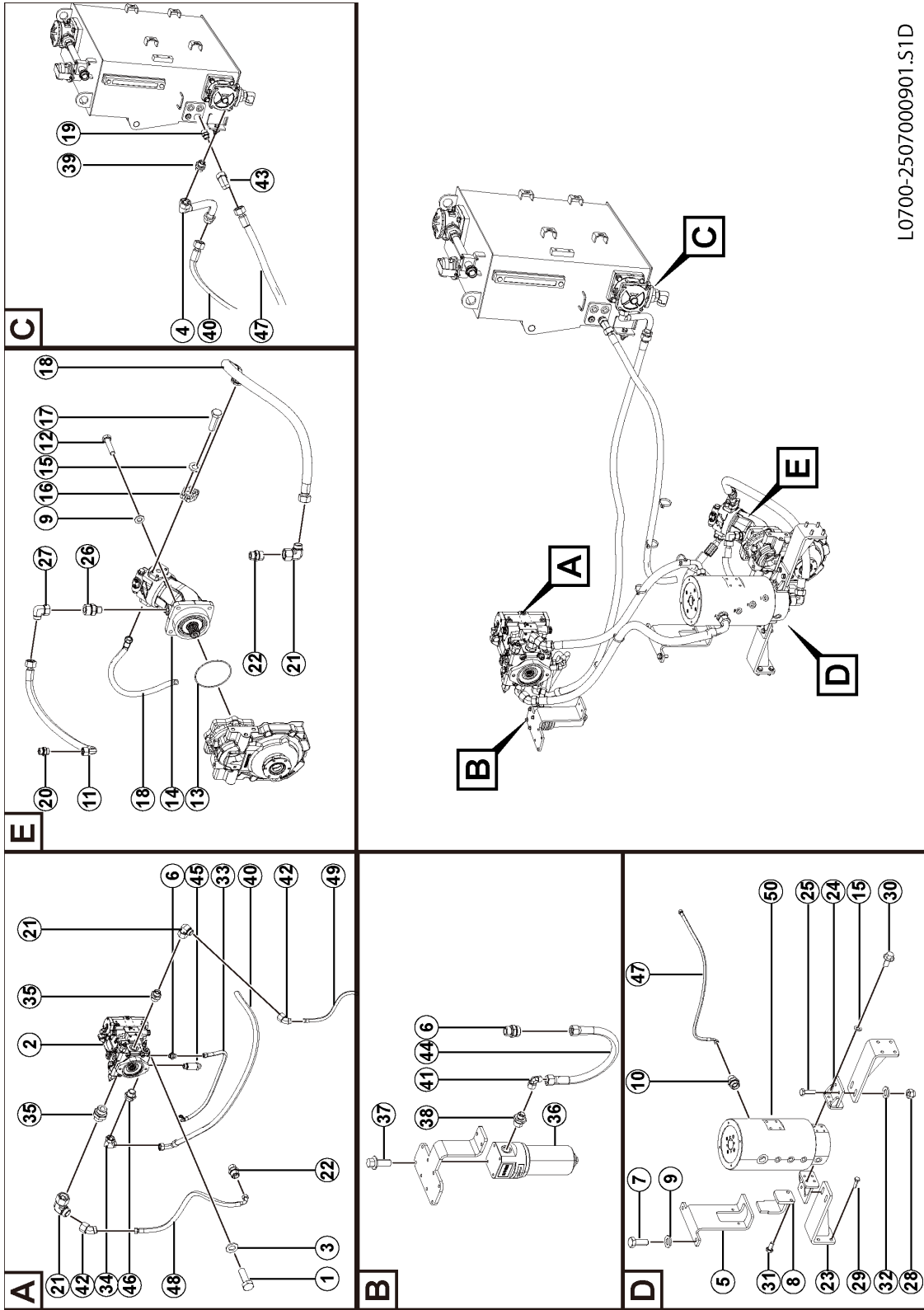


Hydraulic Hose Routing and Fittings

Item	Part No.	Name	Qty.	Remark
1	4011010621	Bolt GB5783-M16*45flZnyc-12.9-480	2	
2	4120709904	Pump HP4VG60EP3DM1/ RNSC0XF025DP-TT401	1	
3	4015010287	Washer GB97.1-16flZnyc-300HV-480	1	
4	25070009581	Oil suction pipe	1	
5	25090003601	Slewing fixing plate	1	
6	4120706885	Straight joint GE12LM18*1.5EDOMD	2	
7	4011010978	Bolt GB5783-M12*30flznc-8.8-480	4	
8	25090003611	Rotary limit plate	1	
9	4015010340	Washer GB97.1-12flZnyc-300HV-480	8	
10	4120707639	Joint GE18LREDDOMDA3C	1	
11	4120710208	Hose F481CACF181510-530	1	
12	4011011410	Bolt GB5783-M12*45flZnyc-10.9-480	4	
13	4030000536	O-ring GB3452.1-122*3.55G	1	
14	4120709902	Traveling motor A2FM63/61W-VAB027	1	
15	4015010339	Washer GB97.1-10flZnyc-300HV-480	24	
16	4120710006	Split flange SAE FHS63	2	
17	4011010727	Bolt GB5783-M10*35flZnyc-8.8-480	12	
18	4120710368	Hose GH506C96F201212-930 (With O- ring)	2	
19	4120706945	Straight joint GE18LMEDOMD	3	
20	4120002235	Joint GE15LREDDOMDCF	1	
21	4120704957	90°joint EW20SOMDCF	4	
22	4120704960	Straight joint GE20SREDDOMDCF	4	

H0700-2507000901.S1D-G1

Traveling hyd assy

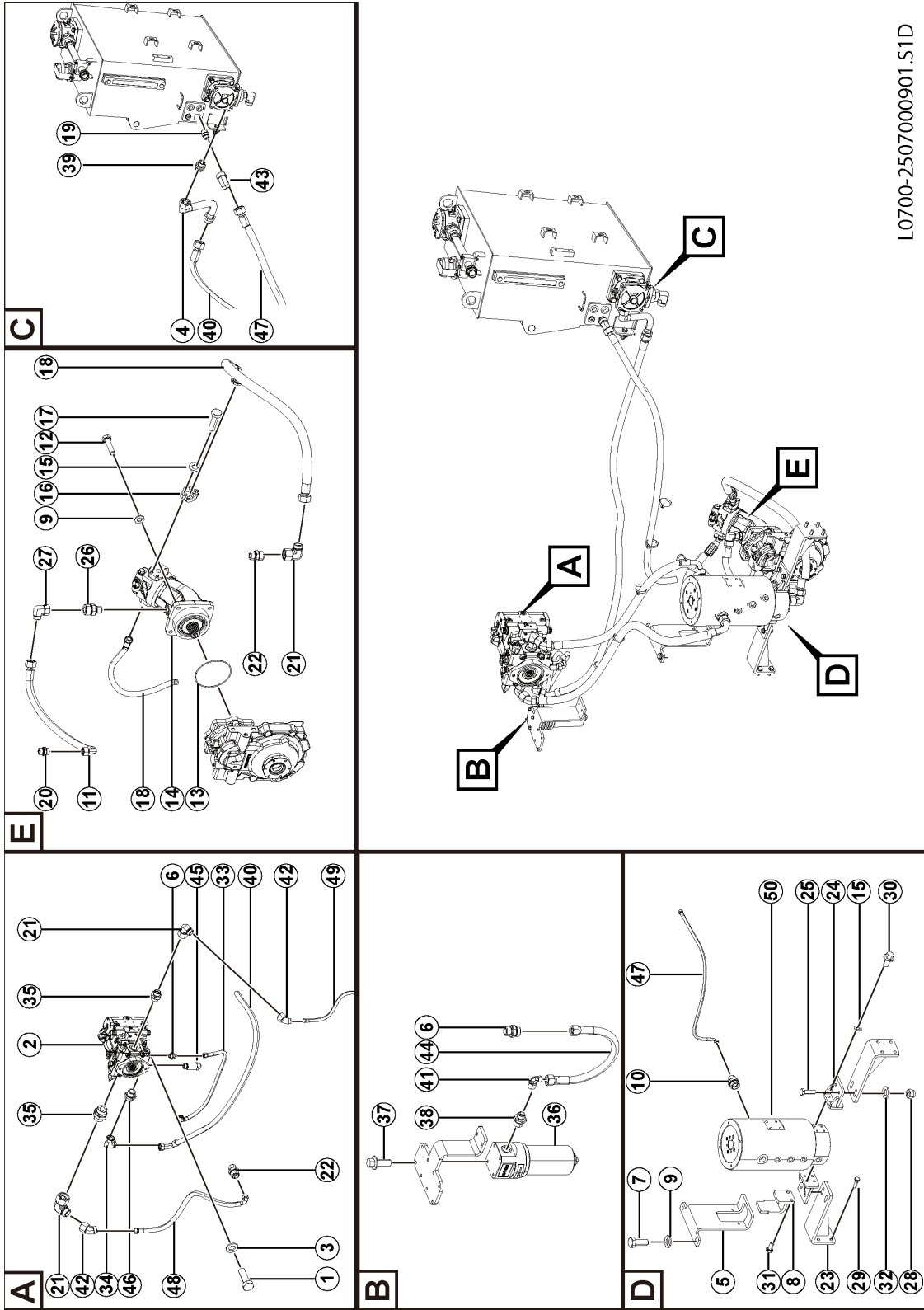


L0700-2507000901.S1D

Item	Part No.	Name	Qty.	Remark
23	25090003641	Mid back mounting plate	2	
24	25090003671	Mid return fixing plate wldmt	2	
25	4011010706	Bolt GB5783-M10*40flZnyc-8.8-480	4	
26	4120709932	Straight joint GE18LM18*1.5EDOMD	1	
27	4129900311	Transition joint EW18LOMDA3C	1	
28	4013010296	Nut GB889.1-M10flznyc-8	4	
29	4011010707	Bolt GB5783-M10*30flznyc-8.8-480	8	
30	4011010964	Bolt GB16674.1-M8*16flZnyc-8.8-480	4	
31	4011011580	Bolt GB16674.1-M10*20flZnyc-10.9-480	2	
32	4015010278	Washer GB96.1-10flZnyc-300HV-480	4	
33	4120705457	Hose F481CACE121206-600	1	
34	4120705621	Combination joint EW22LOMDCF	1	
35	4120709918	Straight joint GE20SM33*2EDOMD	2	
36	4120001428	High pressure filter KGLB-0080005L	1	
37	4011010966	Bolt GB16674.1-M8*20flZnyc-8.8-480	4	
38	4120706930	Straight joint GE12LM22*1.5EDOMDCF	2	
39	4120705622	Straight joint GE22LM22*1.5EDOMDCF	1	
40	4120706150	Hose F481CACE222212-1930	1	
41	4129900314	Joint EW12LOMDA3C	1	
42	4120707550	Joint EV20SOMDCF	2	
43	4120708568	Joint EV18LOMDCF	1	
44	4120708697	Hose F481CACF121206-400	1	

H0700-2507000901.S1D-G1

Traveling hyd assy



L0700-2507000901.S1D



Hydraulic Hose Routing and Fittings

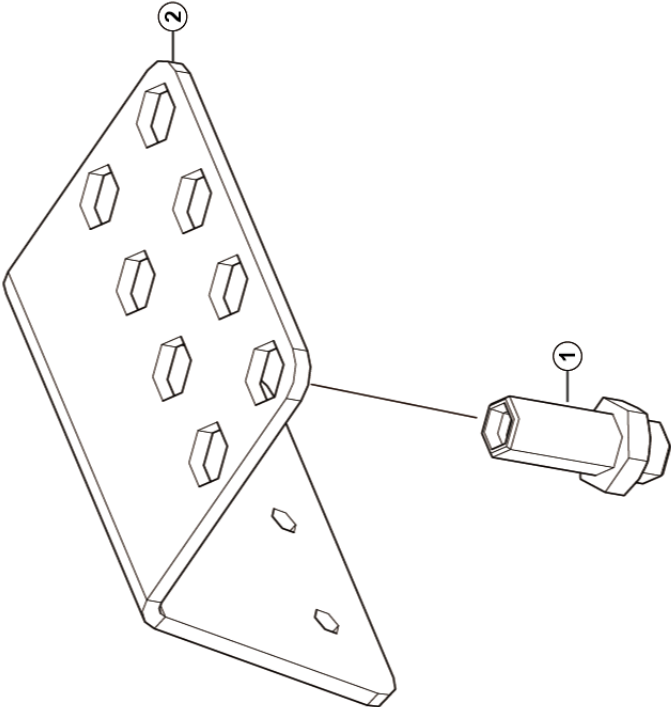
Item	Part No.	Name	Qty.	Remark
45	4120710990	Joint GE12LM18*1.5EDOMD-H65	1	
46	4120711094	Straight joint GE22LM33*2EDOMDCF	1	
47	4120711517	Hose F481CACF181810-1360	1	
48	4120711518	Hose GH506C91C202012-1240	1	
49	4120711519	Hose GH506C91C202012-900	1	
50	4120711411	Rotary joint ZH0841A900-0000	1	



H1200-2512000256.S1A-G1

Bulkhead fitting group

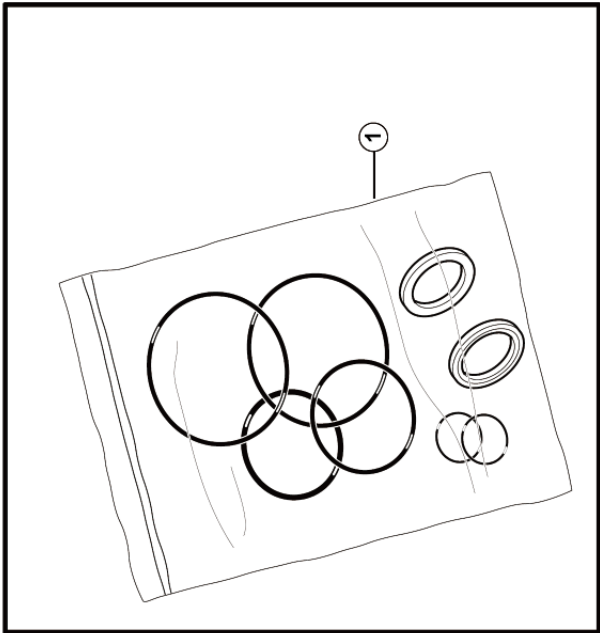
L1200-2512000256.S1A



H1200-4120709551

Lwr level hyd cyl 90*45*343-667 (10570)

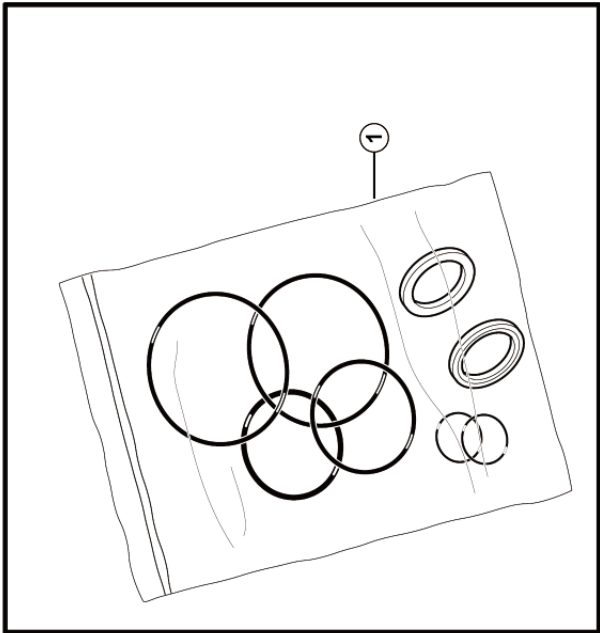
L1200-4120709551



H2600-4120708714

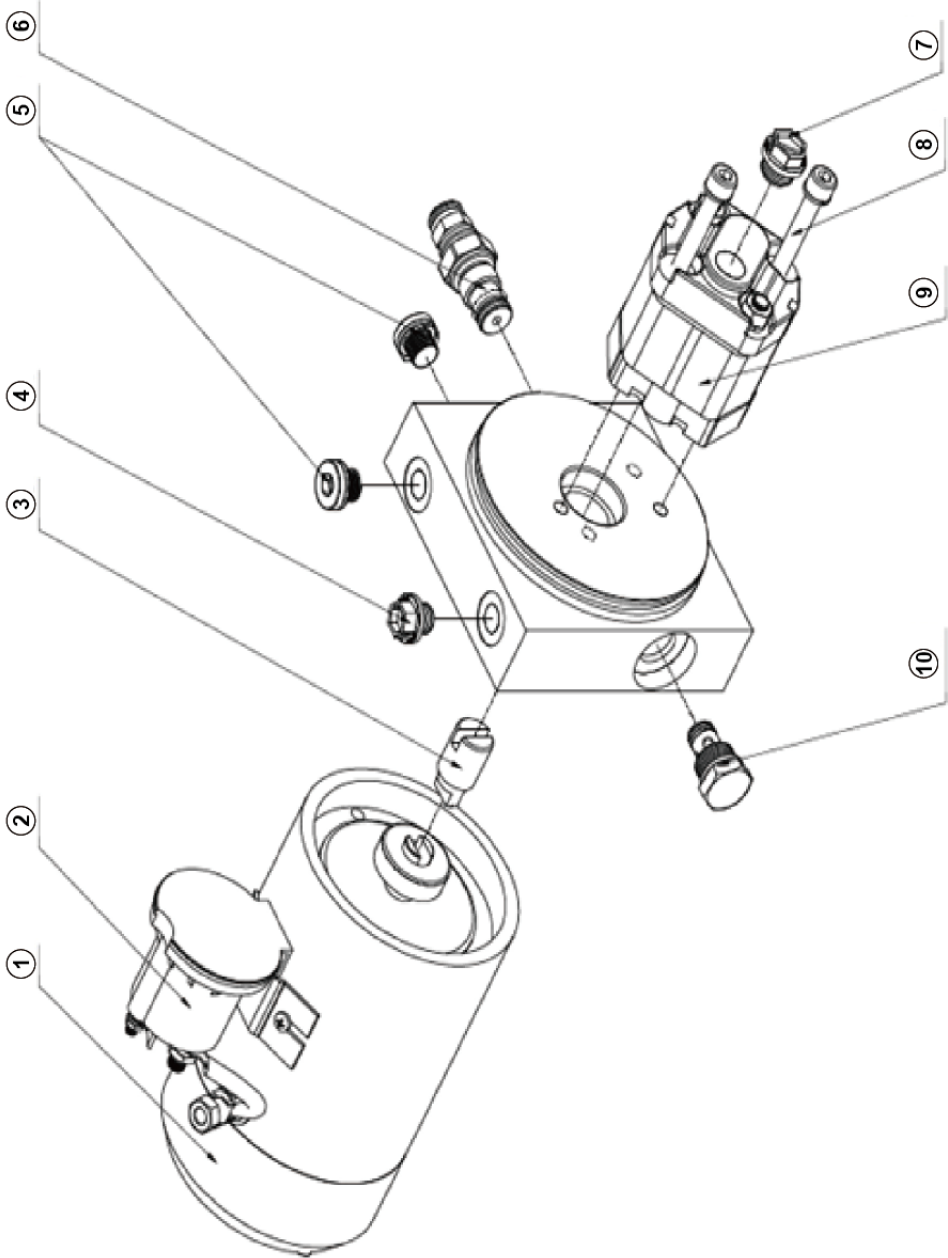
Oscillate hyd cylinder 100*50*94-350 (10570)

L2600-4120708714



H2500-4120709047

Emergency power unit MD12200-01 (11206)



L2500-4120709047

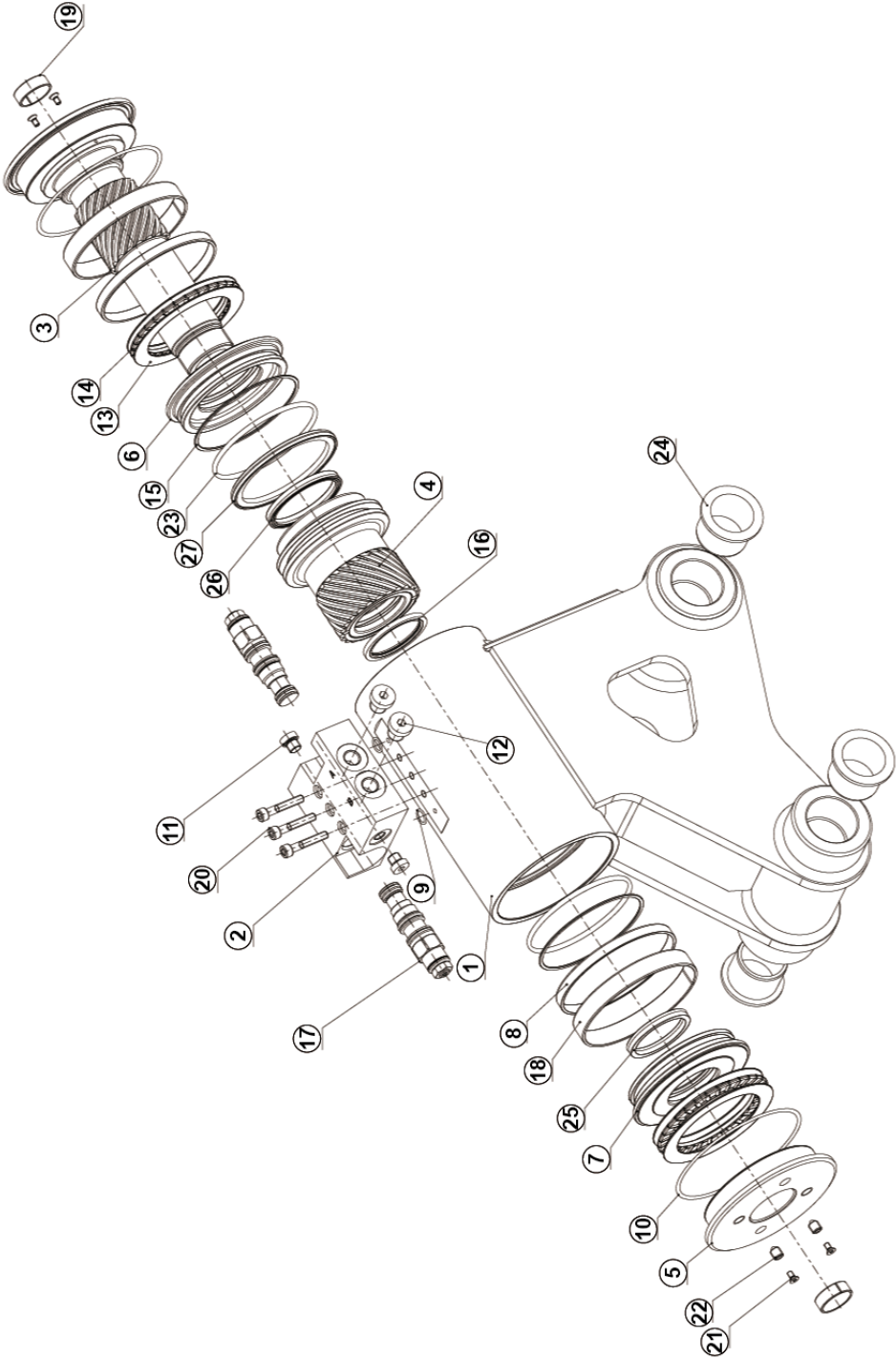


Hydraulic Hose Routing and Fittings

Item	Part No.	Name	Qty.	Remark
1	4120709047011	Motor 20101220020B (MD12200 , 12V , 2.0kW)	1	
2	4120709047002	Start switch 25000101202 (DK0312A)	1	
3	4120709047003	Coupling 70100100102Z (DCP-035)	1	
4	4120709047004	Plastic plug 70412300101 (PP-02 G1/ 4")	1	
5	4120709047005	Plug 70410100108 (SP-02E G1/4")	1	
6	4120709047006	Relief valve 60120110400 (RV-02)	1	
7	4120709047007	Plastic plug 70412300201 (PP-03 G3/ 8")	1	
8	4120709047008	Screw 70800300116D (M8*90)	1	
9	4120709047009	Gear pump 10622001001A (CBKL- G2200 2.0ml/r)	1	
10	4120709047010	Check valve 60100110100	1	

H2700-4120707982

Platform rotator HBM95/180 (10288)

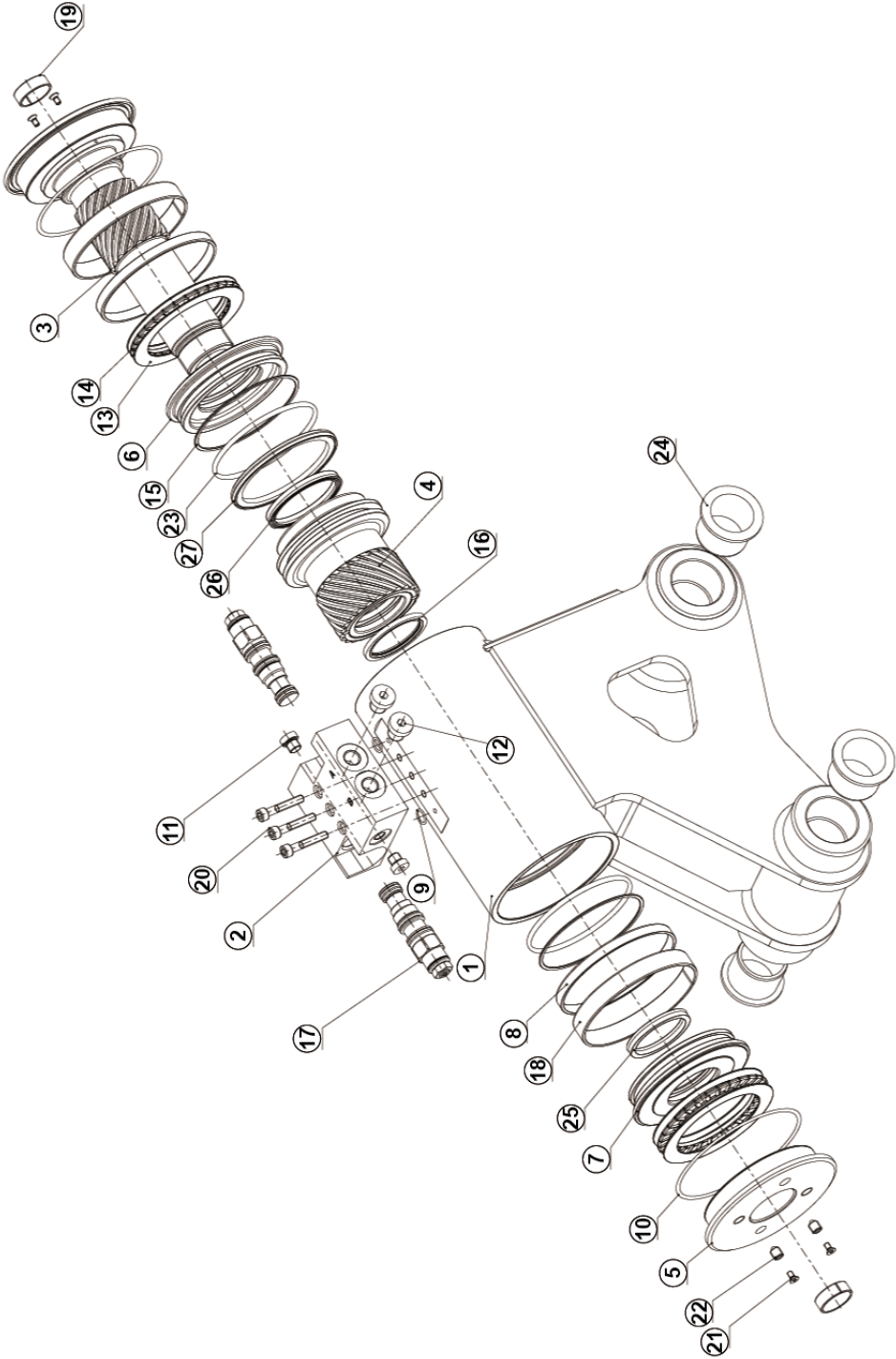


L2700-4120707982

Item	Part No.	Name	Qty.	Remark
1		Cylinder block 95/45*46.6		For illustration
2	4120706329009	Valve block 95/45*46.6	1	
3		Output threaded D95/d45		For illustration
4		Hollow bolt D95d45		For illustration
5		End cover D95/d45		For illustration
6		Upper limit ring D95/d45		For illustration
7		Lower limit ring D95/d45		For illustration
8		Wear ring D95/d45		For illustration
9		O-ring $\phi 9.25 \times 1.78$		For illustration
10		O-ring $\phi 107.62 \times 2.62$		For illustration
11		Plug G1/8		For illustration
12		Plug G1/4		For illustration
13		Thrust gasket $\phi 75 \times \phi 100 \times 1$		For illustration
14		Thrust needle roller bearing $\phi 75 \times \phi 100 \times 4$		For illustration
15		O-ring backup ring $\phi 95 \times \phi 89.5 \times 1.25$		For illustration
16		Rod sealing ring $\phi 45 \times \phi 56 \times 4.2$		For illustration
17	4120706329022	No longer used-Counter balance valve (220bar)	2	
18		Sliding shaft sleeve $\phi 100 \times \phi 105 \times \phi 15$		For illustration
19		Sliding shaft sleeve $\phi 1 \times \phi 1.125 \times 0.375$ "		For illustration
20	4120706329015	Screw M6*35	3	
21	4120706329016	Screw M4*8	4	
22		Screw M8*10		For illustration

H2700-4120707982

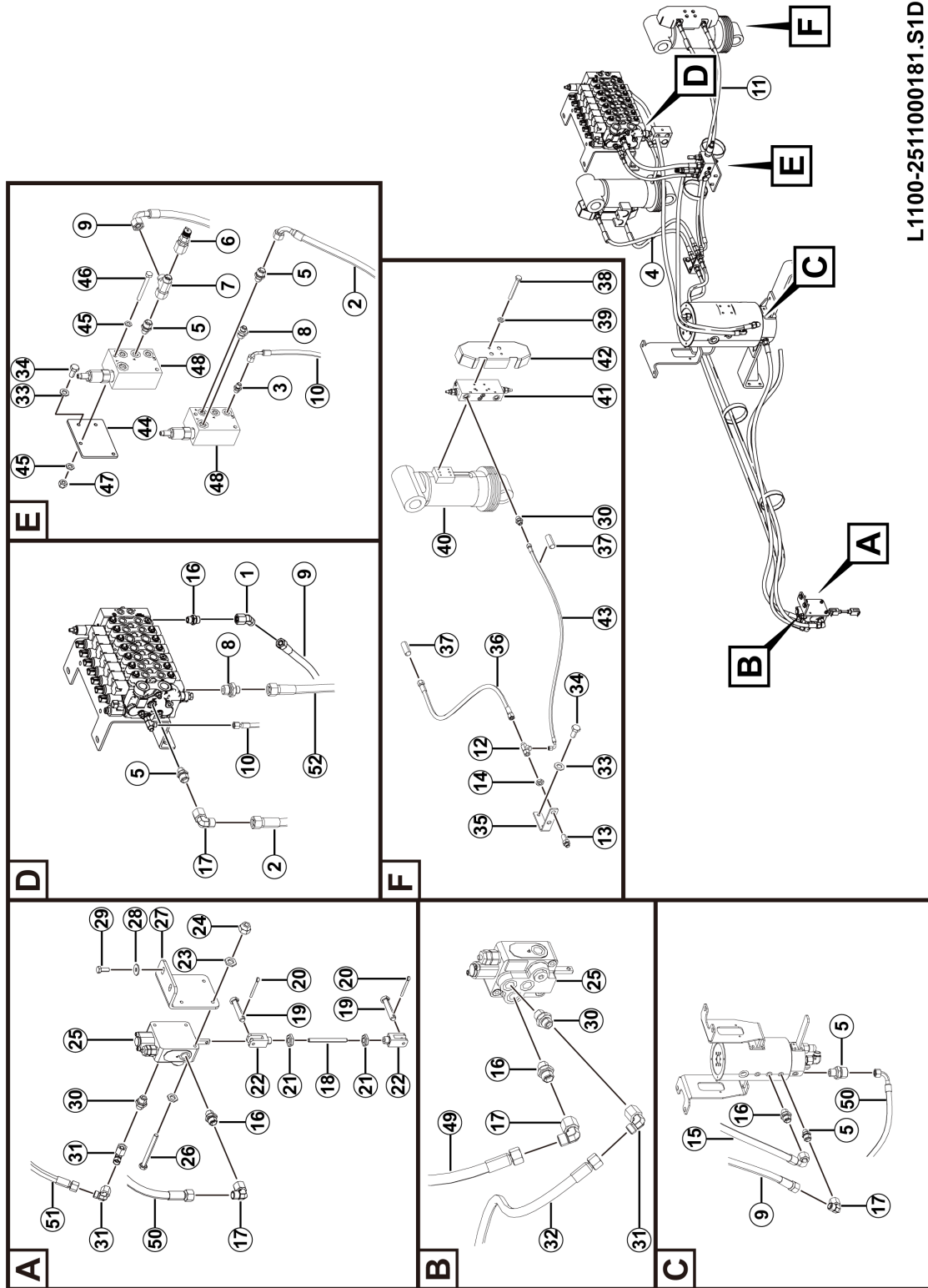
Platform rotator HBM95/180 (10288)



L2700-4120707982

H1100-2511000181.S1D-G1

Axle oscillate hyd assy

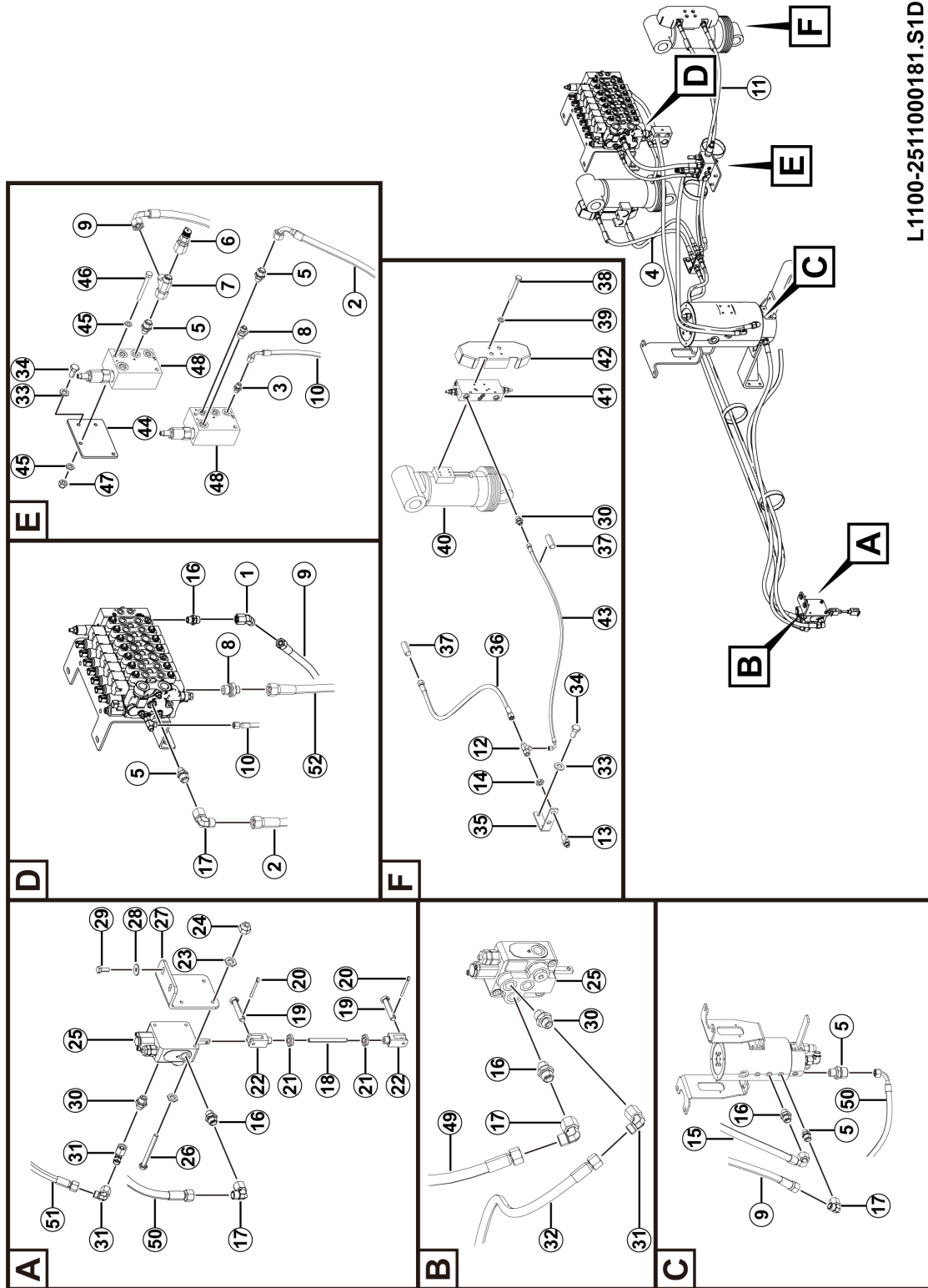


L1100-2511000181.S1D

Item	Part No.	Name	Qty.	Remark
1	4120705901	Joint EV12LOMD	1	
2	4120704923-005	Hose F471TCCACA121206-460	1	
3	4120001170	Joint GE08LREDOMDCF	1	
4	4120709123-003	Hose F481CACA101005-750	1	
5	4120704913	Joint GE12LR1/4EDOMDCF	4	
6	4120001294	Pressure measuring joint VKA3/12LCF	1	
7	4120000619	Tee EL12LOMDA3C	1	
8	4120001391	Joint GE08LR3/8EDOMDCF	2	
9	4120707234-004	Hose F481CACF121206-1200	1	
10	4120705178-006	Hose F481CACA080804-450	1	
11	4120709122-005	Hose F481CACF101005-1250	1	
12	4120001168	Tee EL10LOMDCF	2	
13	25110001661	Straight through bulkhead joint SV10LOMD	2	
14	4013010519	Nut GB6173-M16*1.5flZnyc-05-480	2	
15	4120706712-006	Hose F481CACF121206-1500	1	
16	4120001224	Joint GE12LREDOMDCF	5	
17	4129900314	Joint EW12LOMDA3C	4	
18	25110001482	Pull rod	1	
19	4016010252	Pin GB882-B6*28flZnyc-35-480	2	
20	4016010259	Pin GB91-2*20flZnyc-Q235A-480	2	
21	4013010530	Nut GB6172.1-M8flZnyc-05-480	2	
22	25110000231	Connecting rod link joint	2	

H1100-2511000181.S1D-G1

Axle oscillate hyd assy

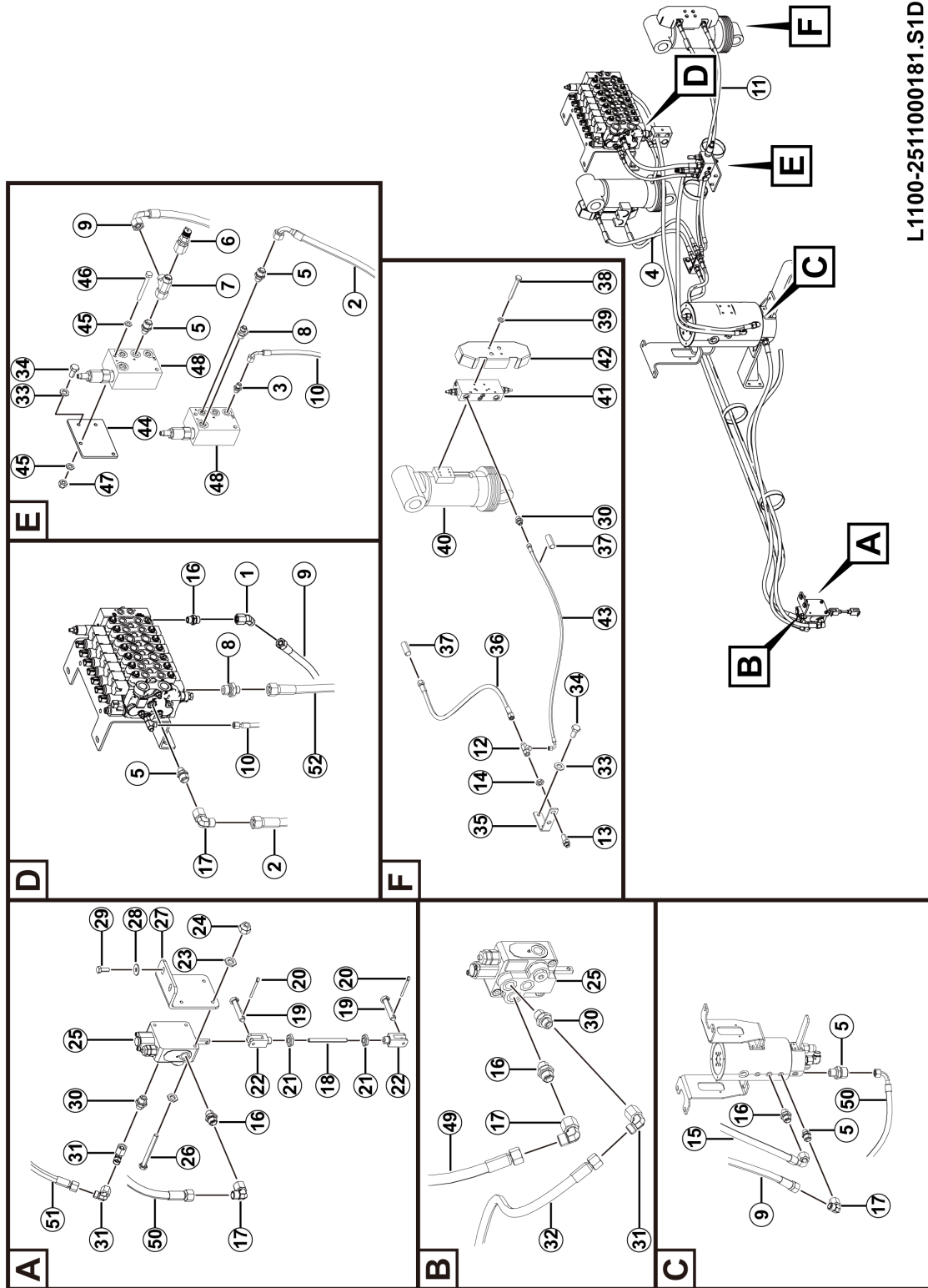


L1100-2511000181.S1D

Item	Part No.	Name	Qty.	Remark
23	4015010284	Washer GB97.1-6flZnyc-300HV-480	6	
24	4013010300	Nut GB889.1-M6flznc-8-480	3	
25	4120703386	Oscillate valve manifold DCV20/1-0145	1	
26	4011010999	Bolt GB5782-M6*60flZnyc-8.8-480	3	
27	25110001472	Floating valve mounting plate	1	
28	4015010289	Washer GB96.1-8flZnyc-300HV-480	2	
29	4011010711	Bolt GB5783-M8*20flznc-8.8-480	2	
30	4120001165	Joint GE10LR3/8EDOMDCF	6	
31	4120001166	Joint EW10LOMDCF	3	
32	4120707943-004	Hose FC402CACA101005-2250	1	
33	4015010339	Washer GB97.1-10flZnyc-300HV-480	4	
34	4011010748	Bolt GB5783-M10*20flZnyc-8.8-480	4	
35	25110001711	Over-plate joint plate	1	
36	4120709123-002	Hose F481CACA101005-750	1	
37	4120709365	Braided sheath FBHT-Φ21-L500 (W35)	4	
38	4011011508	Bolt GB5782-M6*50flZnyc-10.9-480	8	
39	25110000571	Hard gasket M6	8	
40	4120708714	Oscillate hyd cyl 100*50*94-350	2	
41	4120709356	Axle oscillate balancing valve ST8286-A000	2	
42	25110001801	Floating valve shield	2	
43	4120709122-004	Hose F481CACF101005-1250	1	
44	25110001931	Pressure reducing valve mounting plate 140*104*6	1	

H1100-2511000181.S1D-G1

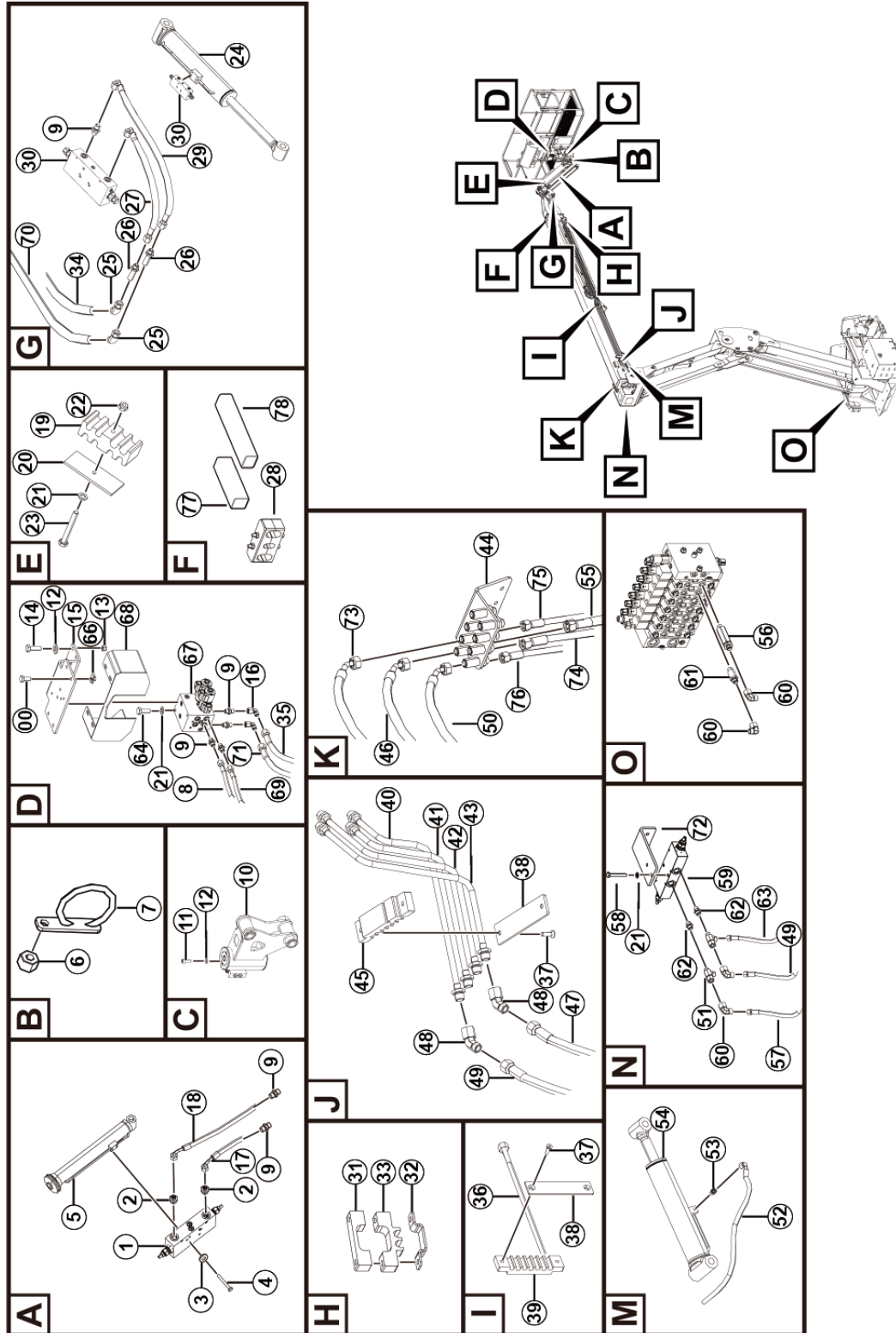
Axle oscillate hyd assy



L1100-2511000181.S1D

H1200-2512000322.S1C-G2

Platform rotate hyd assy

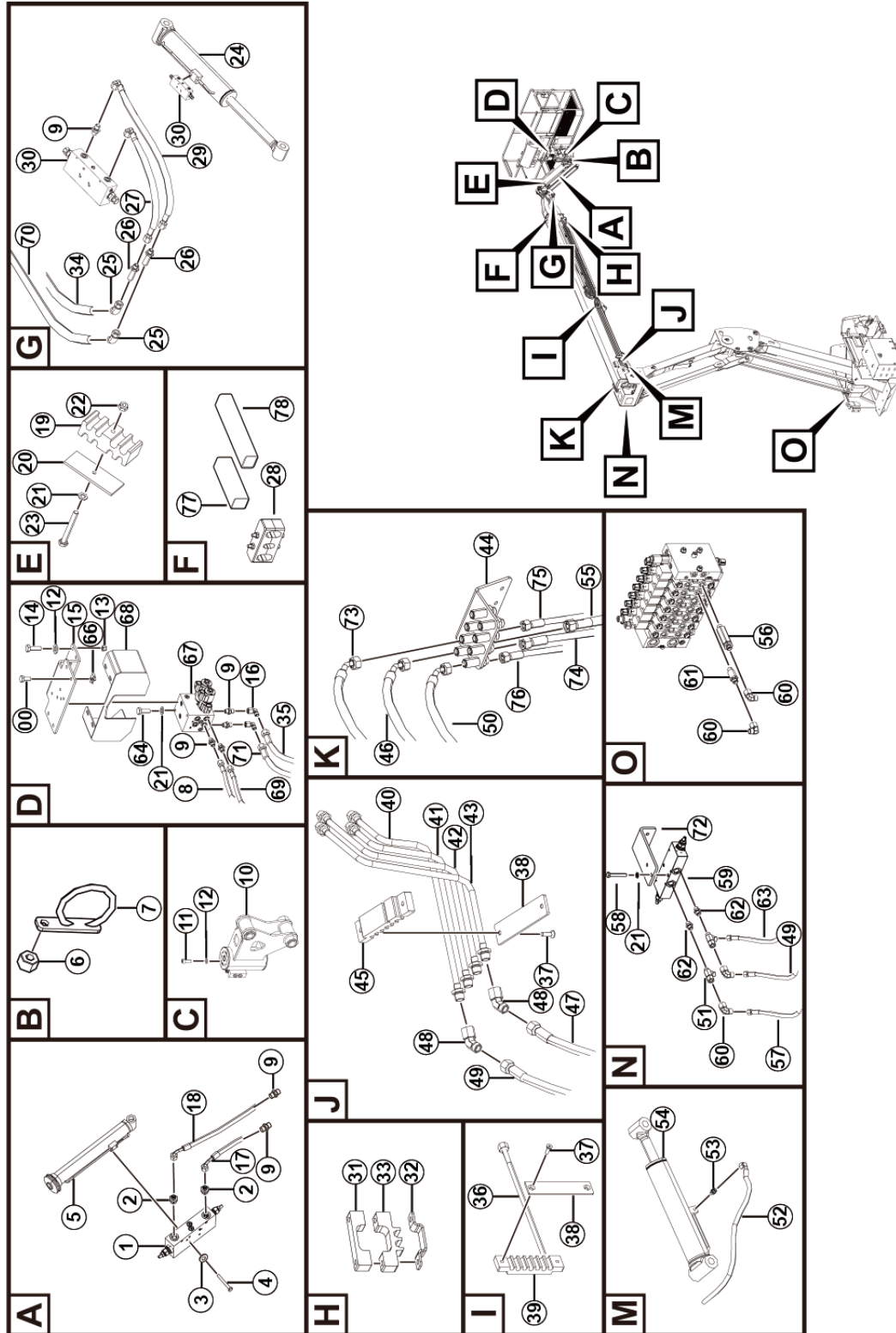


L1200-2512000322.S1C

Item	Part No.	Name	Qty.	Remark
1	4120707614	Jib balancing valve ST8234-A000	1	
2	4120001391	Joint GE08LR3/8EDOMDCF	2	
3	4015010284	Washer GB97.1-6flZnyc-300HV-480	7	
4	4011010950	Bolt GB5783-M6*45flZnyc-10.9-480	7	
5	4120705607	Jib hyd cyl 80*50*419-798	1	
6	25080001001	Spacer ring	3	
7	25120001961	Welded torus	2	
8	4120704980-032	Hose F471TCCACF080804-940	1	
9	4120001170	Joint GE08LREDOMDCF	10	
10	4120707982	Platform rotator HBM95/180	1	
11	4014010275	Screw GB70.1-M10*25flZnyc-10.9-480	8	
12	4015010339	Washer GB97.1-10flZnyc-300HV-480	16	
13	4013010296	Nut GB889.1-M10flznyc-8	4	
14	4011010707	Bolt GB5783-M10*30flznyc-8.8-480	4	
15	25120001752	Platform valve mounting plate	1	
16	4190000698	Joint EW08LOMDA3C	2	
17	4120705925-022	Hose FC402CACF080804-1450	1	
18	4120704937-031	Hose FC402CACF080804-1500	1	
19	25120001311	Jib clamp	2	
20	25120000061	Jib clamp platen	2	
21	4015010280	Washer GB97.1-8flZnyc-300HV-480	15	
22	4013010314	Nut GB6185.1-M8flZnyc-8-480	4	

H1200-2512000322.S1C-G2

Platform rotate hyd assy

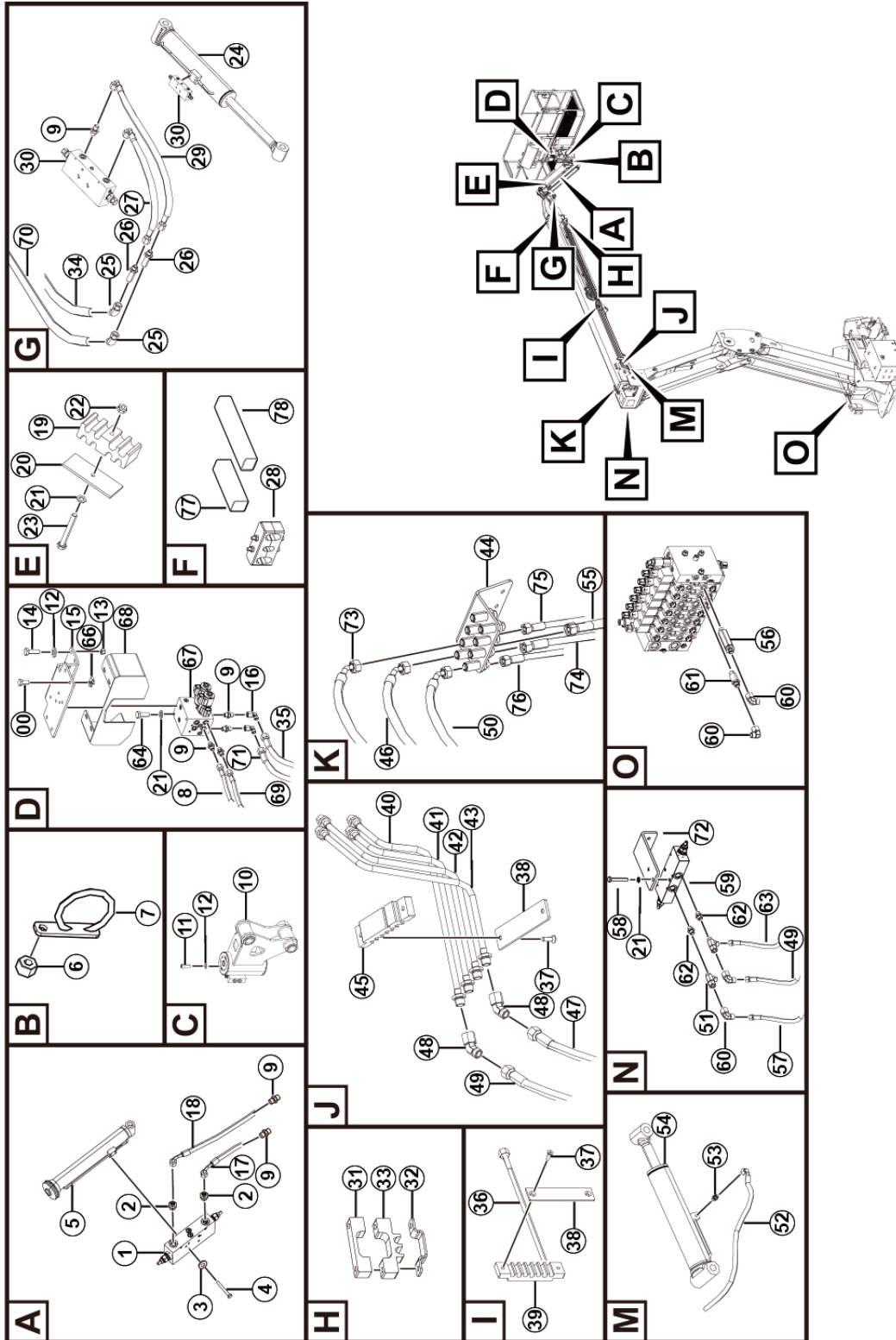


L1200-2512000322.S1C

Item	Part No.	Name	Qty.	Remark
23	4011011175	Bolt GB5782-M8*65fIZnyc-8.8-480	2	
24	4120709550	Upr leveling hyd cyl 90*45*345-697	1	
25	4120706262	Joint EV08LOMDCF	2	
26	4120704926	Straight bulkhead joint SV08LOMDCF	2	
27	4120705424-006	Hose F471TCCACF080804-410	1	
28		Drag chain clamp assy		For illustration
29	4120705139-019	Hose F471TCCACF080804-440	1	
30	4120001549	Level balancing valve	1	
31	25120002521	Drag chain clamp	1	
32	25120003003	Drag chain clamp platen	1	
33	25120002992	Drag chain clamp 2	1	
34	4120710601-003	Hose F471TCCAD0081206-9200	1	
35	4120708782-013	Hose F471TCCAD0081206-11900	1	
36	25120002591	Pipe 1-1890	4	
37	4014010592	Screw GB70.3-M8*25fIZnyc-8.8-480	6	
38	25120002301	Boom pipe clamp platen	3	
39	25120002533	Boom pipe clamp	2	
40	25120002631	Pipe 5	1	
41	25120002621	Pipe 4	1	
42	25120002611	Pipe 3	1	
43	25120002601	Pipe 2	1	
44		Over-plate joint group		For illustration

H1200-2512000322.S1C-G2

Platform rotate hyd assy



L1200-2512000322.S1C

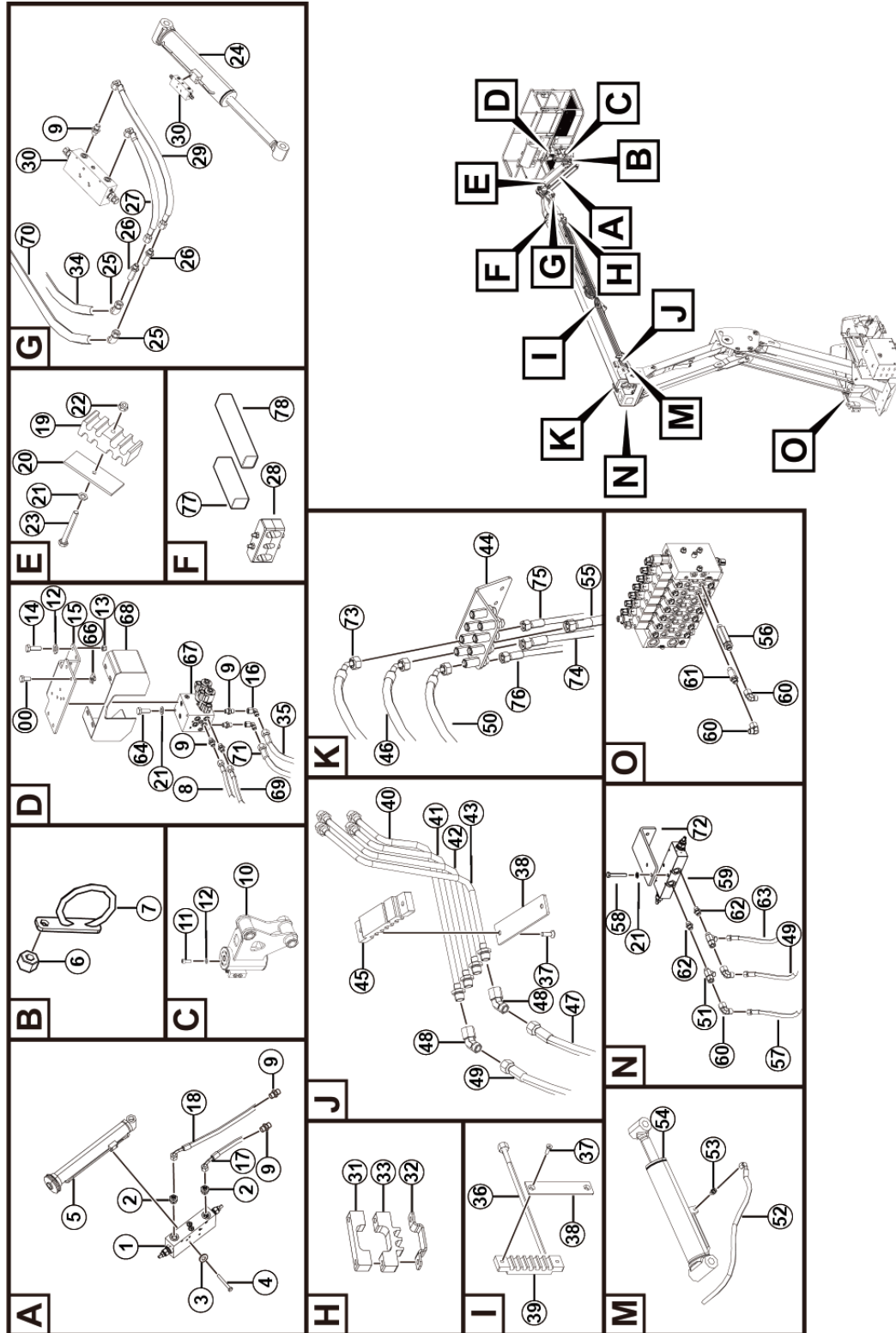


Hydraulic Hose Routing and Fittings

Item	Part No.	Name	Qty.	Remark
45	25120002584	Pipe clamp	1	
46	4120711760	Hose F471TCCACE121206-620-AS520	1	
47	4120711761	Hose F471TCCACE121206-1500-AS1400	1	
48	4120705901	Joint EV12LOMD	2	
49	4120711768	Hose F471TCCACE121206-850-AS750	1	
50	4120711759	Hose F471TCCACE121206-700-AS600	1	
51	4120000619	Tee EL12LOMDA3C	2	
52	4120711767	Hose F471TCCACF121006-1200-AS1100	1	
53	4120001188	Joint GE10LREDDOMDCF	2	
54	4120709551	Lwr leveling hyd cyl 90*45*343-667	1	
55	4120711430-005	Hose F471TCCACA121206-8800-AS8000	1	
56	4120710019	Relief valve KLF06-10-210-20	1	
57	4120711768-001	Hose F471TCCACE121206-850-AS750	1	
58	4011010973	Bolt GB5783-M8*50flZnyc-8.8-480	2	
59	4120709604	Level balancing valve STA0620R2G38C25	1	
60	4129900314	Joint EW12LOMDA3C	8	
61	4120706890	Elevated joint GE12LREDDOMDCF-H60	1	
62	4120001224	Joint GE12LREDDOMDCF	6	
63	4120711766	Hose F471TCCACF121006-1075-AS975	1	
64	4011010711	Bolt GB5783-M8*20flZnyc-8.8-480	7	
65	4011010748	Bolt GB5783-M10*20flZnyc-8.8-480	4	
66	4013010370	Nut QC339-M10flZnyc-8-480	4	

H1200-2512000322.S1C-G2

Platform rotate hyd assy



L1200-2512000322.S1C



Hydraulic Hose Routing and Fittings

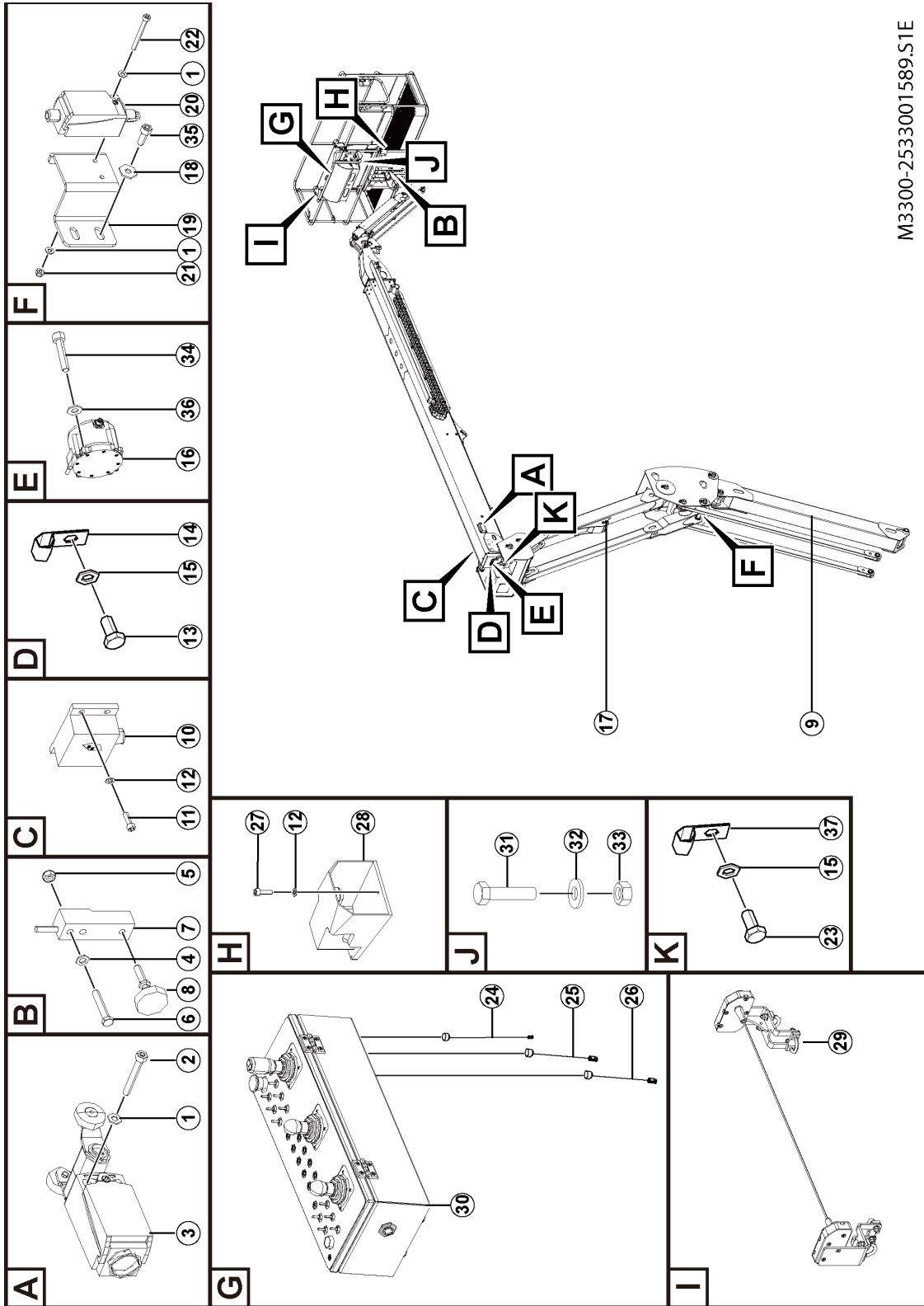
Item	Part No.	Name	Qty.	Remark
67	4120709068	Platform control valve manifold ST5745-AB00	1	
68	25120001792	Platform valve shield	1	
69	4120704980-033	Hose F471TCCACF080804-940	1	
70	4120710601-002	Hose F471TCCAD0081206-9200	1	
71	4120708782-012	Hose F471TCCAD0081206-11900	1	
72	25120003231	Balancing valve mounting plate 155*70*50*6	1	
73	4120711761-001	Hose F471TCCACE121206-1500-AS1400	1	
74	4120711430-002	Hose F471TCCACA121206-8800-AS8000	1	
75	4120711430-003	Hose F471TCCACA121206-8800-AS8000	1	
76	4120711430-004	Hose F471TCCACA121206-8800-AS8000	1	
77	25120003031	Canvas 180*300	1	
78	25120003201	Canvas 200*950	2	

J

Accessories

J3300-2533001589.S1E-G1

Platform elec assy

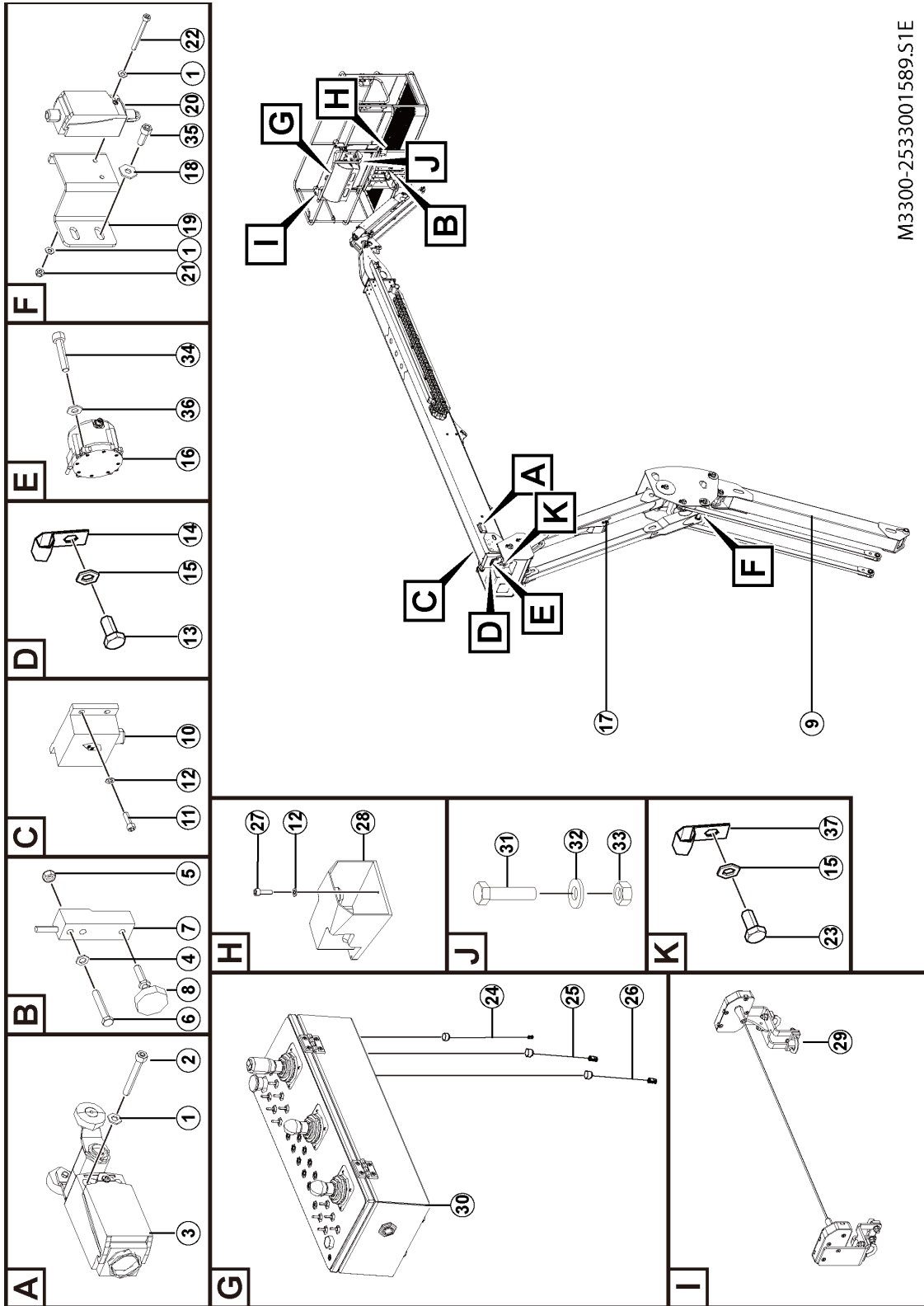


M3300-2533001589.S1E

Item	Part No.	Name	Qty.	Remark
1	4015010290	Washer GB97.1-4flZnyc-300HV-480	10	
2	4014010241	Screw GB70.1-M4*30flZnyc-8.8-480	2	
3	4130703141	Travel switch XCKP2118P16-NO/NC	1	
4	4015010340	Washer GB97.1-12flZnyc-300HV-480	4	
5	4013010301	Nut GB889.1-M12flznyc-8-480	2	
6	4011010956	Bolt GB5782-M12*70flZnyc-8.8-480	2	
7	4130704304	Load sensor FC26-1T	1	
8	4130703998	Roly-poly toy adjusting foot M12*50	1	
9	25310019093	Folding arm sensor harness	1	
10	4130701854	Angle sensor WTS088CL	2	
11	4014010131	Screw GB70.1-M5*16flznyc-8.8-480	7	
12	4015010283	Washer GB97.1-5flZnyc-300HV-480	9	
13	4011010748	Bolt GB5783-M10*20flZnyc-8.8-480	1	
14	4041002377	Pipe clamp LGB169-A15*12.5	1	
15	4015010339	Washer GB97.1-10flZnyc-300HV-480	1	
16	4130702061	Cable transducer GSFSMR8000HA300000X00	1	
17	25310019084	Main boom sensor harness	1	
18	4015010296	Washer GB96.1-6flZnyc-300HV-480	2	
19	25330020251	Travel switch mounting plate	1	
20	4130704672	Travel switch ZCP21E02DEP16	1	
21	4013010360	Nut GB889.1-M4flZnyc-8-480	2	
22	4014010484	Screw GB70.1-M4*40flZnyc-8.8-480	2	

J3300-2533001589.S1E-G1

Platform elec assy



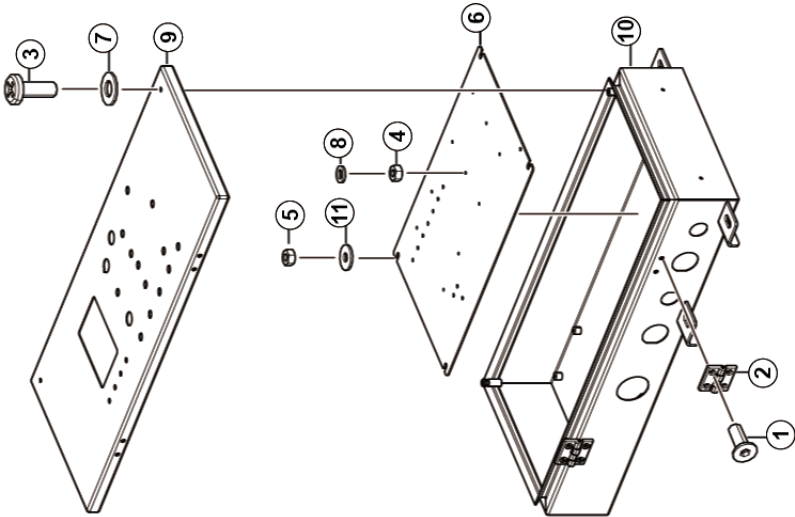
M3300-2533001589.S1E

Item	Part No.	Name	Qty.	Remark
23	4011010722	Bolt GB5783-M10*25flznyc-8.8-480	1	
24	25330015953	Platform harness	1	
25	25330015902	Upr & ground control wire	1	
26	25330005073	Weighing sensor harness	1	
27	4014010122	Screw GB70.1-M5*20flZnyc-8.8-480	2	
28	4130702062	Foot switch HRF-HD3NX	1	
29	25330015941	Platform protection assy	1	
30	25330015911	Upr control sys assy	1	
31	4011010743	Bolt GB5783-M8*25flznyc-8.8-480	4	
32	4015010289	Washer GB96.1-8flZnyc-300HV-480	8	
33	4013010291	Nut GB6170-M8flznyc-8-480	4	
34	4014010430	Screw GB70.1-M4*35flZnyc-8.8-480	3	
35	4014010492	Screw GB70.1-M6*14flZnyc-8.8-480	1	
36	4015010365	Washer GB96.1-4flZnyc-300HV-480	2	
37	4041010597	Pipe clamp LGB169-A10*10	1	

J3100-2531001859.S1A-G1

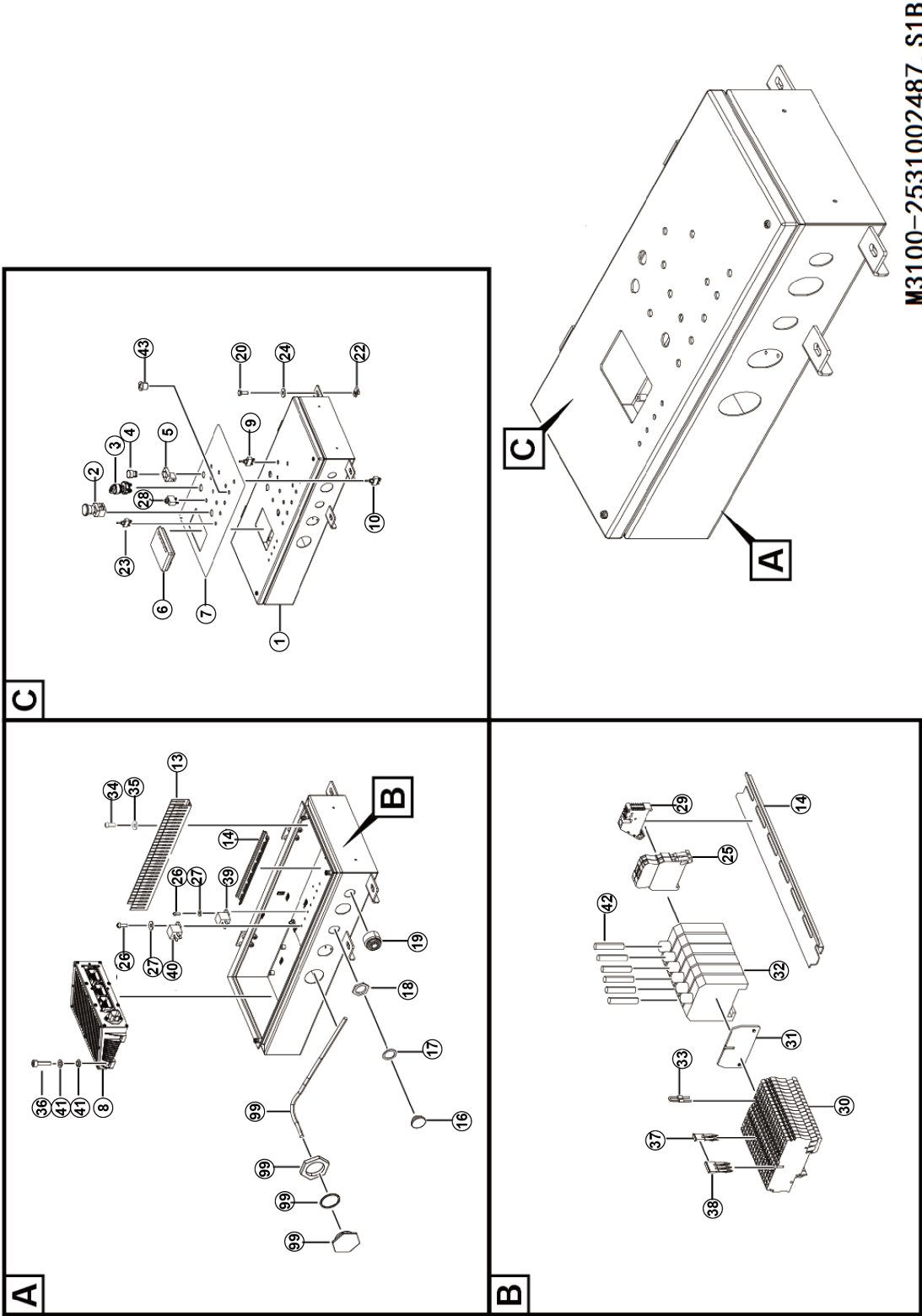
GCU delivered assembled AR20JE

M3100-2531001859.S1A



J3100-2531002487.S1B-G1

GCU assy

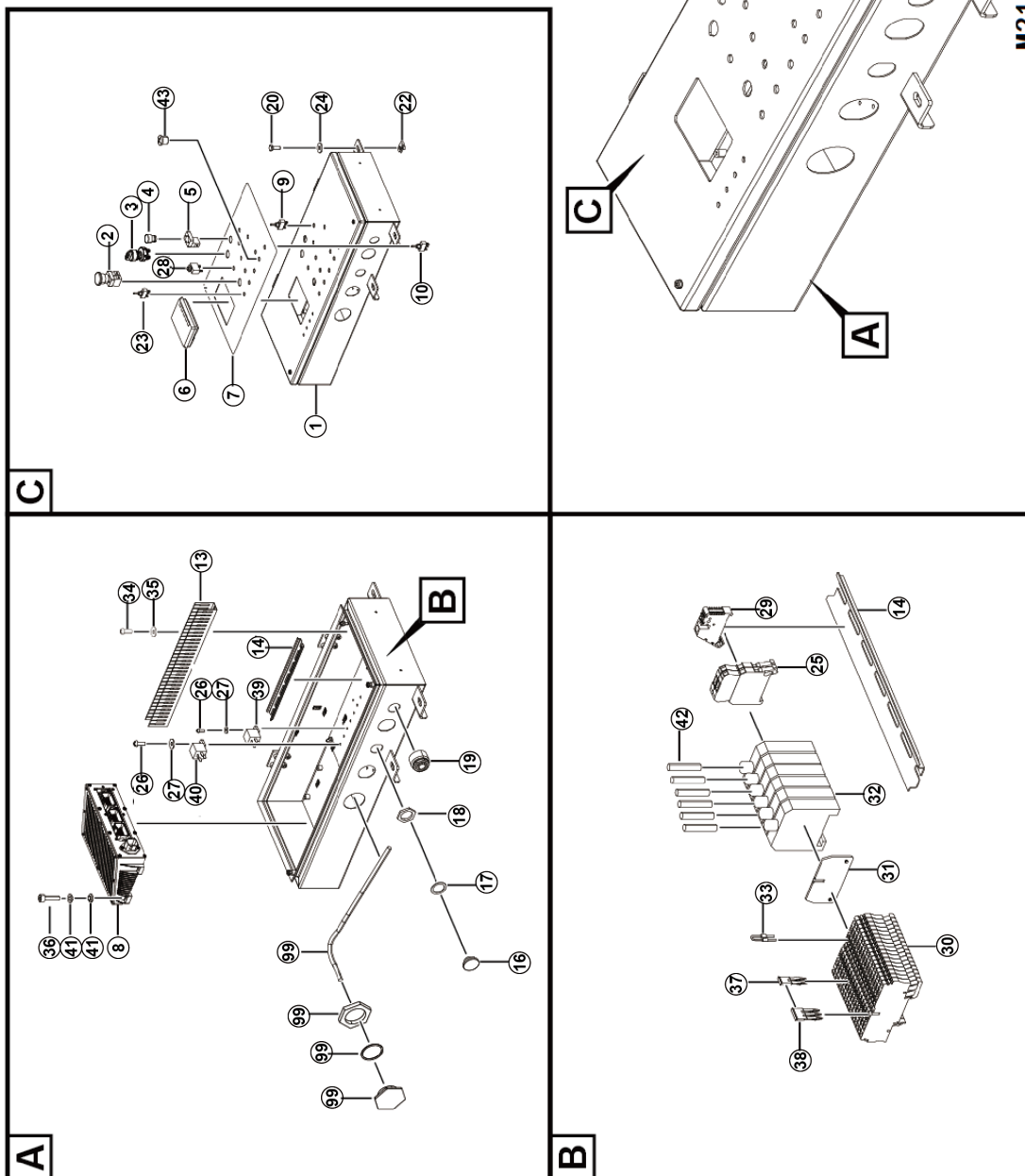


M3100-2531002487.S1B

Item	Part No.	Name	Qty.	Remark
1	25310018592	Ground control box distribution assy AR20JE	1	
2	4130702070	Emergency stop switch ZB2BS54C + ZB2B104C	1	
3	4130000723	Key switch	1	
4	4130703635	Green flat-head button ZB2BA3C	1	
5	4130703636	Contact module with base ZB2BZ101C	1	
6	4130703603	Display CANVIEW4	1	
7	25310020771	Decal-AR20J ground control box decal	1	
8	4130703601	Controller MC2M (Boom lift)	1	
9	4130703627	Switch 637H-K-U282	7	
10	4130703628	Switch 635H-K-U282	2	
11	25310017901	Time plug	1	
12	4030000130	O-ring GB3452.1-47.5*3.55G	1	
13		Wire cage 50*25*600		For illustration
14	4130703615	DIN rail TS3575-250mm	1	
15	25310024882	Ground control box harness assy	1	
16	25310012941	ITT hole plug	1	
17	25310012951	ITT hole gasket	1	
18	25310012961	ITT hole nut	1	
19	4130000797	Buzzer CY-3631-24V	1	
20	4011010722	Bolt GB5783-M10*25fZnyc-8.8-480	4	
21	4015010278	Washer GB96.1-10fZnyc-300HV-480	4	
22	4013010370	Nut QC339-M10fZnyc-8-480	4	

J3100-2531002487.S1B-G1

GCU assy

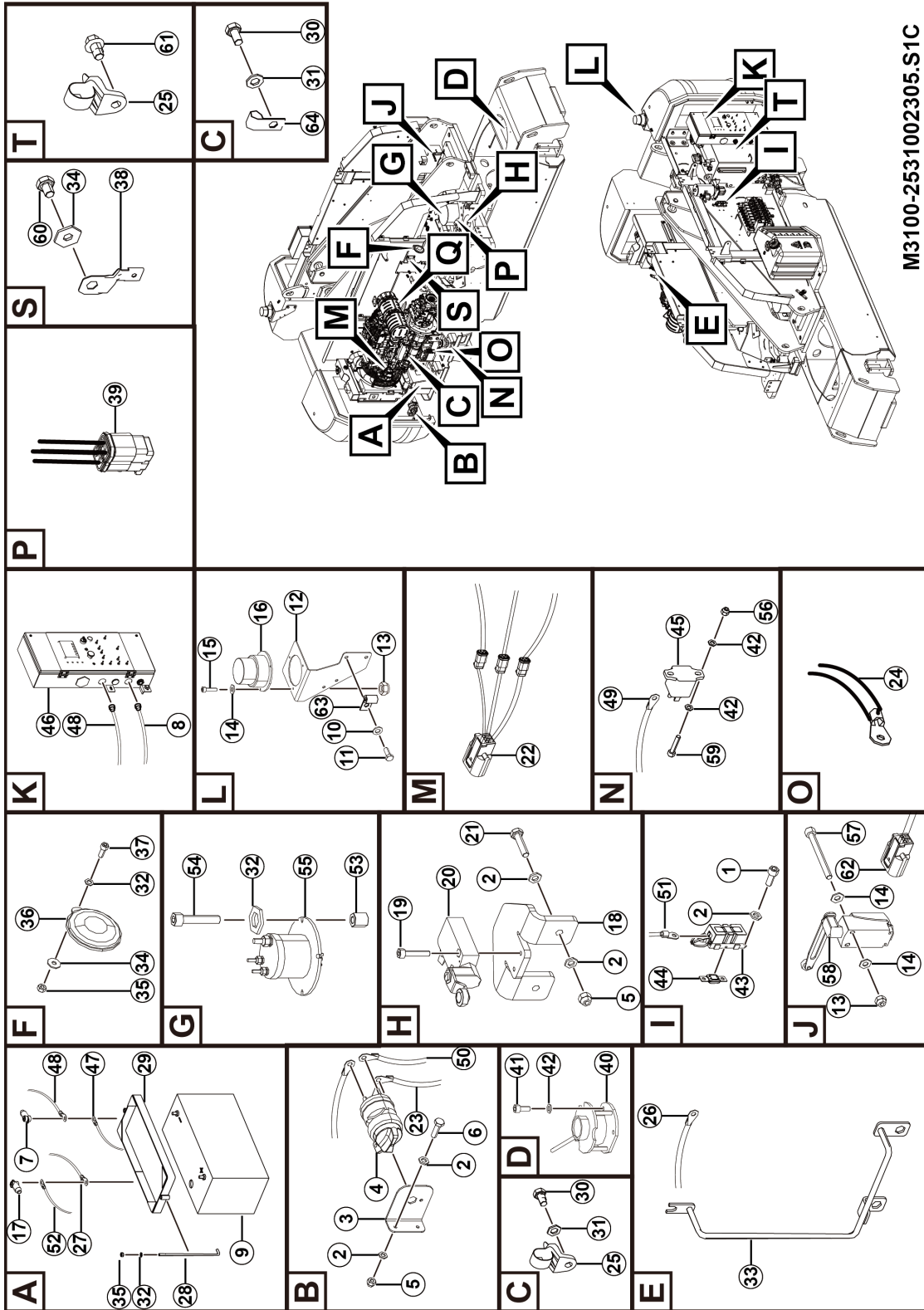


M3100-2531002487.S1B

Item	Part No.	Name	Qty.	Remark
23	4130703629	Switch 631H-K-U282	1	
24	25310017921	Hour watch nut	1	
25	4130703606	Diode terminal SAKRD-35-DS-4007	2	
26	4014010108	Screw GB818-M5*14flZnyc-4.8-480	6	
27	4015010283	Washer GB97.1-5flZnyc-300HV-480	6	
28	4130703641	Overcurrent protector 88-10A (W/ Water-proof cap)	1	
29	4130703605	Retainer EW35	2	
30	4130703608	Terminal block ZDU2.5/4AN	16	
31	4130703771	Bulkhead ZAP/TW 3	1	
32	4130703614	Fuse terminal SAKS3	2	
33	25310012721	Resistance 120Ω	2	
34	4014010125	Screw GB818-M4*10flZnyc-4.8-480	4	
35	4015010365	Washer GB96.1-4flZnyc-300HV-480	4	
36	4014010122	Screw GB70.1-M5*20flZnyc-8.8-480	4	
37	4130703609	Short-circuit connector ZQV 2.5/2	2	
38	4130704149	Short-circuit connector ZQV2.5/3	3	
39	4130001188	Relay	1	
40	4130703632	Relay 896H-1AH-C1S 12VDC	5	
41	4130704250	Insulating sheath 018050000001 (Essentra)	8	
42	4130703647	Fuse 10A-1/4*1-1/4	2	
43	4130703652	Plug M12*1.5 (With nut & gasket)	2	

J3100-2531002305.S1C-G8

Turntable elec assy

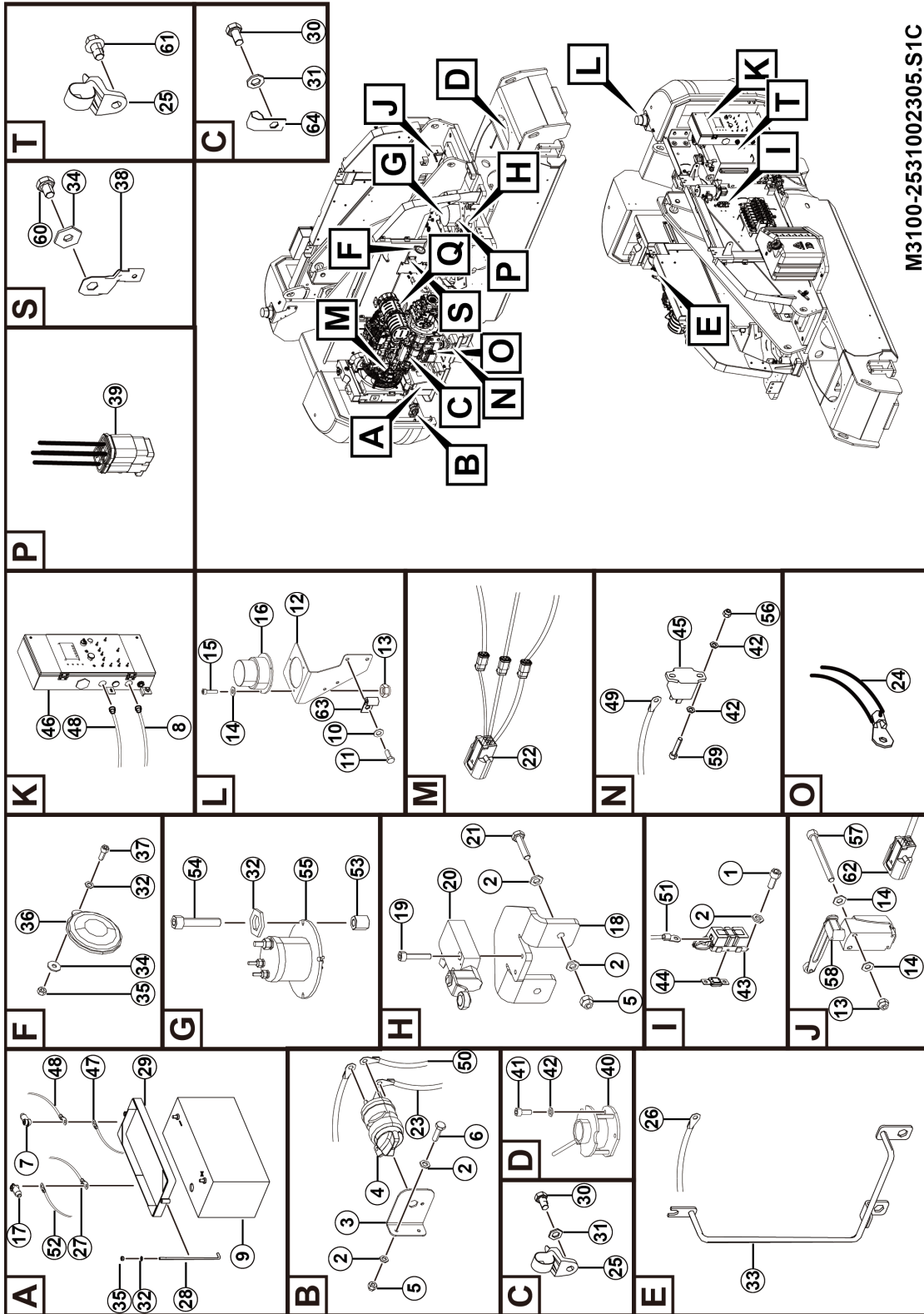


M3100-2531002305.S1C

Item	Part No.	Name	Qty.	Remark
1	4014010492	Screw GB70.1-M6*14flZnyc-8.8-480	2	
2	4015010284	Washer GB97.1-6flZnyc-300HV-480	10	
3		Power switch bracket		For illustration
4	4130702113	DC power supply switch 75920-10	1	
5	4013010300	Nut GB889.1-M6flznc-8-480	4	
6	4011010744	Bolt GB5783-M6*20flznc-8.8-480	2	
7	25320015681	Power cable cap (Black)	3	
8	25310024891	Main harness	1	
9		Battery 6-QW-120B		For illustration
10	4015010339	Washer GB97.1-10flZnyc-300HV-480	2	
11	4011010722	Bolt GB5783-M10*25flznc-8.8-480	2	
12	25310000911	RH strobe mounting plate	1	
13	4013010360	Nut GB889.1-M4flZnyc-8-480	5	
14	4015010290	Washer GB97.1-4flZnyc-300HV-480	10	
15	4014010422	Screw GB70.1-M4*16flZnyc-8.8-480	3	
16	4130000974	Alarm lamp	1	
17	25320015671	Power cable cap (Red)	2	
18	25310021231	Travel switch mounting bracket	1	
19	4014010130	Screw GB70.1-M4*20flZnyc-8.8-480	2	
20	4130705197	Travel switch XCMD2115L1	1	
21	4011010731	Bolt GB5783-M6*25flZnyc-8.8-480	2	
22	25310024901	ECU harness	1	

J3100-2531002305.S1C-G8

Turntable elec assy

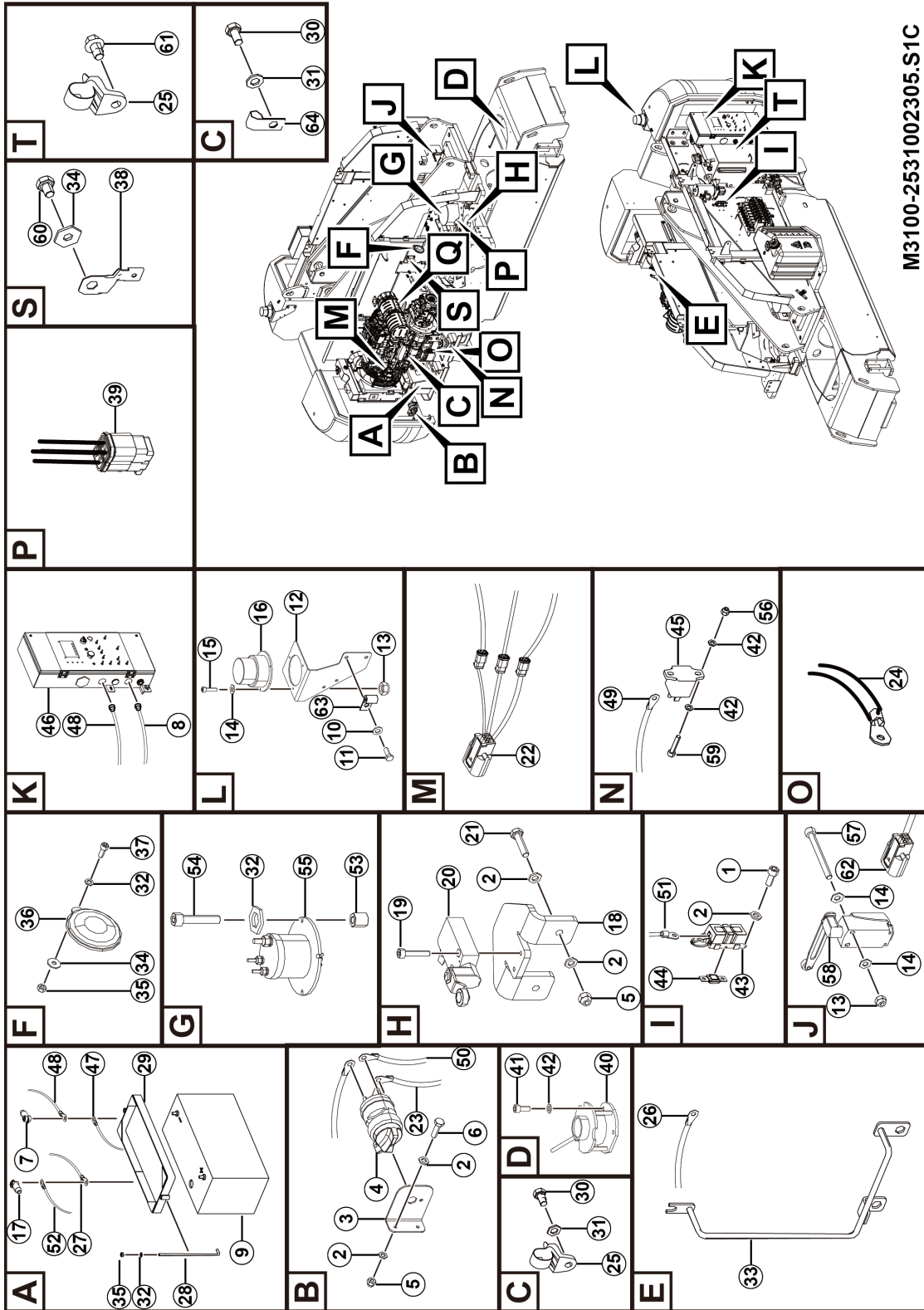


M3100-2531002305.S1C

Item	Part No.	Name	Qty.	Remark
23	4045010443	Power cable LZB003 C8*10*4950*1.4	1	
24	25310012401	Preheating power cable	1	
25	4130704969	Cable tie HS-J117	2	
26	25310023581	Alternator harness 620	1	
27	4045010441	Power cable LZB003 C8*10*3900*1.4-R	1	
28	25310005031	Threaded rod	2	
29	25310005011	Battery platen wldmt	1	
30	4011011631	Bolt GB5786-M12*1.25*20flZnyc-8.8-480	3	
31	4015010340	Washer GB97.1-12flZnyc-300HV-480	3	
32	4015010280	Washer GB97.1-8flZnyc-300HV-480	7	
33	25310024101	Harness bracket wldmt	1	
34	4015010289	Washer GB96.1-8flZnyc-300HV-480	3	
35	4013010291	Nut GB6170-M8flznyc-8-480	4	
36	4130001029	Horn DC12V	1	
37	4014010246	Screw GB70.1-M8*20flZnyc-8.8-480	1	
38	4130702665	DT mounting clamp 1027-003-1200	1	
39	25320027164	Chassis harness	1	
40	4130701536	Tilt sensor WSA0889A	2	
41	4014010357	Screw GB70.1-M5*12flznyc-8.8-480	6	
42	4015010283	Washer GB97.1-5flZnyc-300HV-480	10	
43	4130000956	Fuse seat 02981001ZXT	1	
44	4130701734	Fuse 0298200 (Lite)	1	

J3100-2531002305.S1C-G8

Turntable elec assy



M3100-2531002305.S1C

Item	Part No.	Name	Qty.	Remark
45	4130701399	Preheating relay HHZ H150-2-UC	1	
46	25310024871	Ground control sys assy	1	
47	4045010445	Power cable LZB003 D10*950*1.4	1	
48	25310025052	Valve group harness	1	
49	25310023571	Preheating power cable 650	1	
50	4045010444	Power cable LZB003 D10*2620*1.4	1	
51	4045010438	Power cable LZB003 C8*1250*1.4-R	1	
52	4045010442	Power cable LZB003 D8*10*2930*1.8-R	1	
53	25310015582	Slip ring heel	4	
54	4014010420	Screw GB70.1-M8*40fIZnyc-8.8-480	4	
55	4130705088	Electric slip ring MG099-S09-01C-IP66	1	
56	4013010305	Nut GB889.1-M5fIZnyc-8-480	2	
57	4014010484	Screw GB70.1-M4*40fIZnyc-8.8-480	2	
58	4130704668	Travel switch XCKD2145P16	1	
59	4014010113	Screw GB70.1-M5*25fIZnyc-8.8-480	2	
60	4011010745	Bolt GB5783-M8*10fIZnyc-8.8-480	1	
61	4011011088	Bolt GB16674.1-M10*16fIZnyc-8.8-480	2	
62	25360004161	GPS adapter cable	1	
63	4041010597	Pipe clamp LGB169-A10*10	1	
64	4041002377	Pipe clamp LGB169-A15*12.5	3	

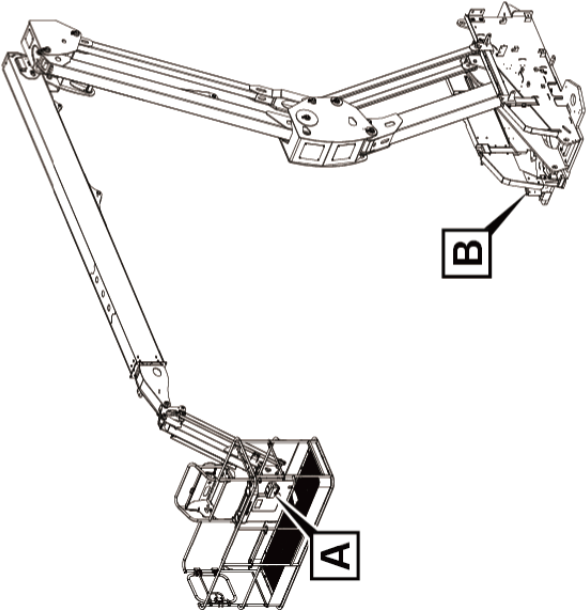
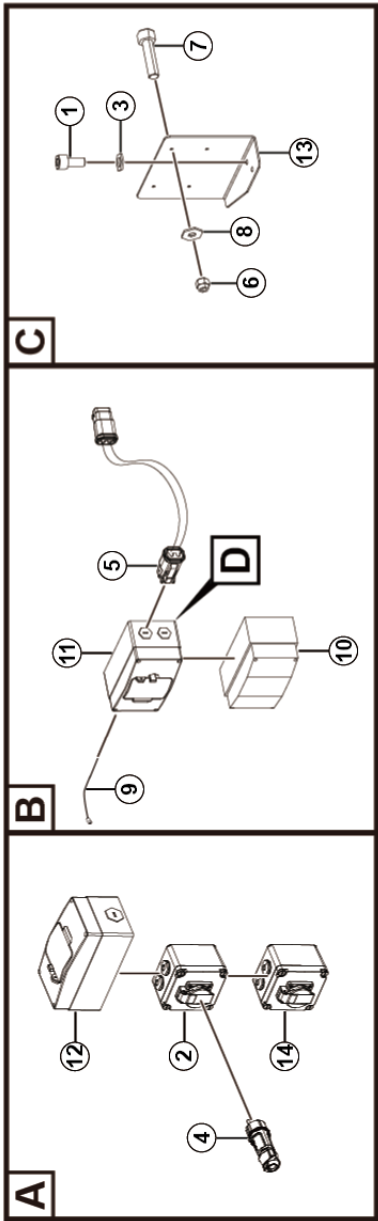
J5100-2551000141.S1A-G1

Electronic control program AR20JF (Kubota EU
III)

No picture

J7000-2570000057.S1A-G1

Power to platform assy



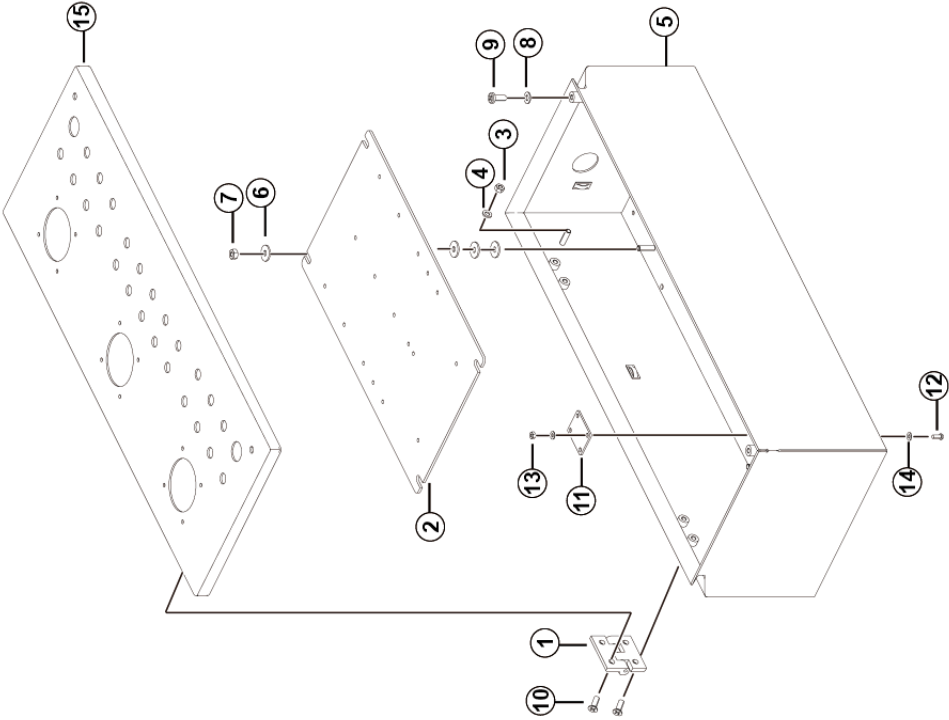
M7000-2570000057.S1A

Item	Part No.	Name	Qty.	Remark
1		Screw GB70.1-M8*16fIZnyc-8.8-480		For illustration
2	4130701800	Socket 11331	1	
3	4015010280	Washer GB97.1-8fIZnyc-300HV-480	2	
4	4130701799	Plug 17054	1	
5	25330010571	Plug power cable (CE)	1	
6	4013010305	Nut GB889.1-M5fIZnyc-8-480	8	
7	4014010122	Screw GB70.1-M5*20fIZnyc-8.8-480	8	
8	4015010345	Washer GB96.1-5fIZnyc-300HV-480	8	
9	25700000581	Platform power cable	1	
10	4130701803	Fuse box 56CB1-4N	1	
11	4130701801	Circuit breaker IC65N	1	
12	4130701802	Residual current action protection accessory Vigi iC65	1	
13	25310020911	Circuit breaker mounting plate	1	
14	4130701806	Socket box 56JB1	1	

J3300-2533001534.S1A-G1

PCU delivered assembled

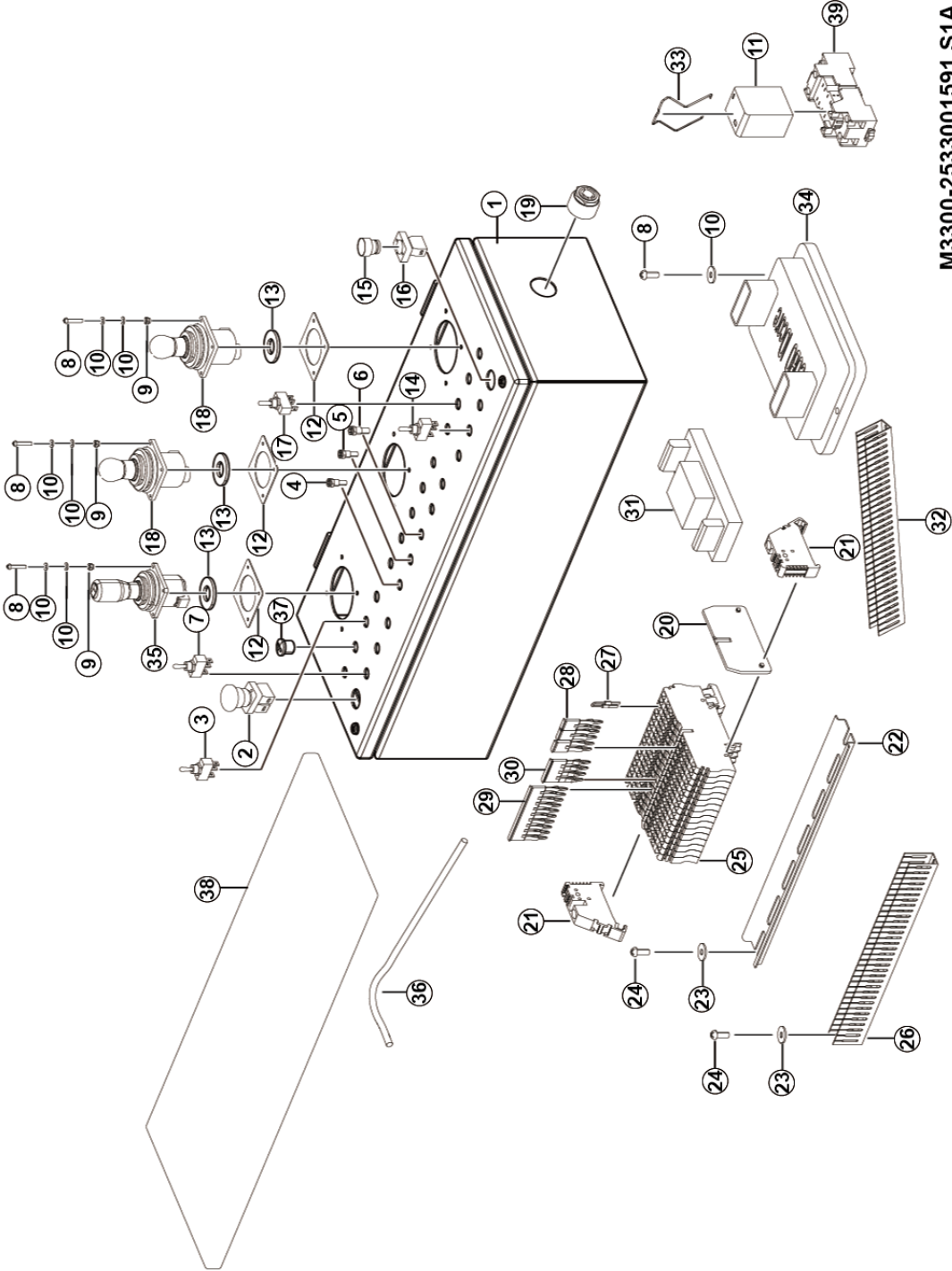
M3300-2533001534.S1A



Item	Part No.	Name	Qty.	Remark
0	4011011158	Screw GB819.1-M6*16flZnyc-4.8-480	8	
1	4190706938	Stainless steel hinge 099404E YiShengHua	2	
2	25310012781	Upr control device mounting plate T20J/ T22J/T26J/T28J	1	
3	4013000028	Nut GB6170-M6EpZn-8	2	
4	4015000207	Washer GB97.1-6EpZn-300HV	2	
5	25310014142	Wldmt of upr control box Lwr box	1	
6	4015010296	Washer GB96.1-6flZnyc-300HV-480	16	
7	4013010293	Nut GB6170-M6flZnyc-8-480	4	
8	25310014151	Rubber pad	2	
9	25310014661	Cross furniture screw M6*16	2	
11	25310014431	Mounting sealing plate	2	
12	4014010125	Screw GB818-M4*10flZnyc-4.8-480	8	
13	4013010304	Nut GB6170-M4flZnyc-8-480	8	
14	4015010290	Washer GB97.1-4flZnyc-300HV-480	16	
15	25330015351	Upr control box welded cover plate	1	

J3300-2533001591.S1A-G1

PCU assy

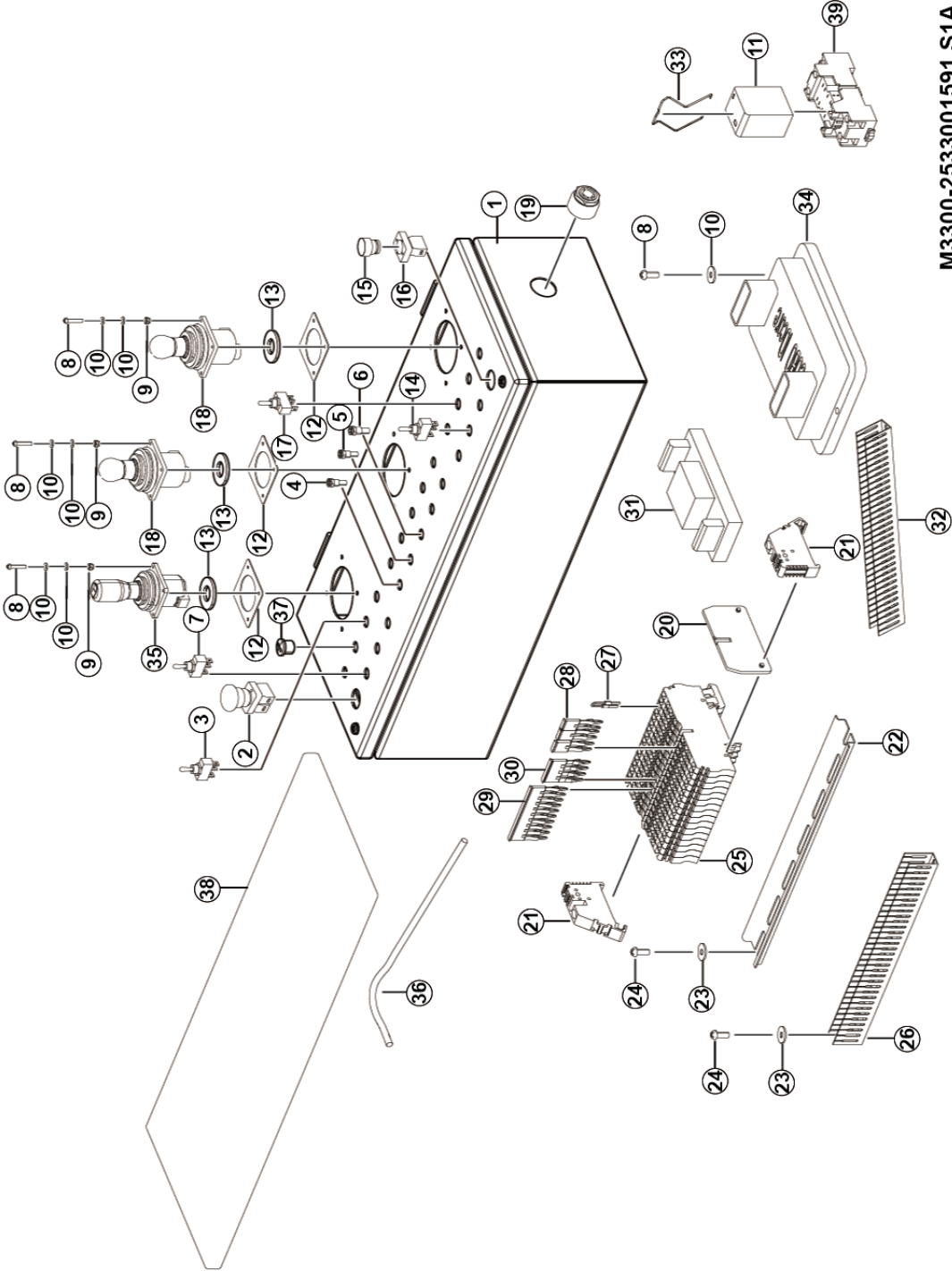


M3300-2533001591.S1A

Item	Part No.	Name	Qty.	Remark
1	25330015341	Upr control box distribution assy	1	
2	4130702070	Emergency stop switch ZB2BS54C + ZB2B104C	1	
3	4130703629	Switch 631H-K-U282	3	
4	4130703995	Red indicator light AD11-12/20-AGE R DC12V	2	
5	4130703996	Green indicator light AD11-12/20-AGE G DC12V	1	
6	4130703997	Yellow indicator light AD11-12/20-AGE Y DC12V	7	
7	4130703757	Switch 639H-K-U282	2	
8	4014010121	Screw GB818-M4*20fIZnyc-4.8-480	12	
9	4013010304	Nut GB6170-M4fIZnyc-8-480	12	
10	4015010290	Washer GB97.1-4fIZnyc-300HV-480	12	
11	4130703611	Relay DRM270012L	2	
12	25330009871	Rubber gasket	3	
13	4130703986	Gasket 0050150001VR (YiShengHua)	12	
14	4130703627	Switch 637H-K-U282	3	
15	4130703635	Green flat-head button ZB2BA3C	1	
16	4130703636	Contact module with base ZB2BZ101C	1	
17	4130703628	Switch 635H-K-U282	6	
18	4130702530	Dual-axis proportional joystick JS1000-XY-A-SNNN-TK01	2	
19	4130000797	Buzzer CY-3631-24V	1	
20	4130703771	Bulkhead ZAP/TW 3	1	
21	4130703605	Retainer EW35	2	
22	4130703615	DIN rail TS3575-250mm	1	

J3300-2533001591.S1A-G1

PCU assy

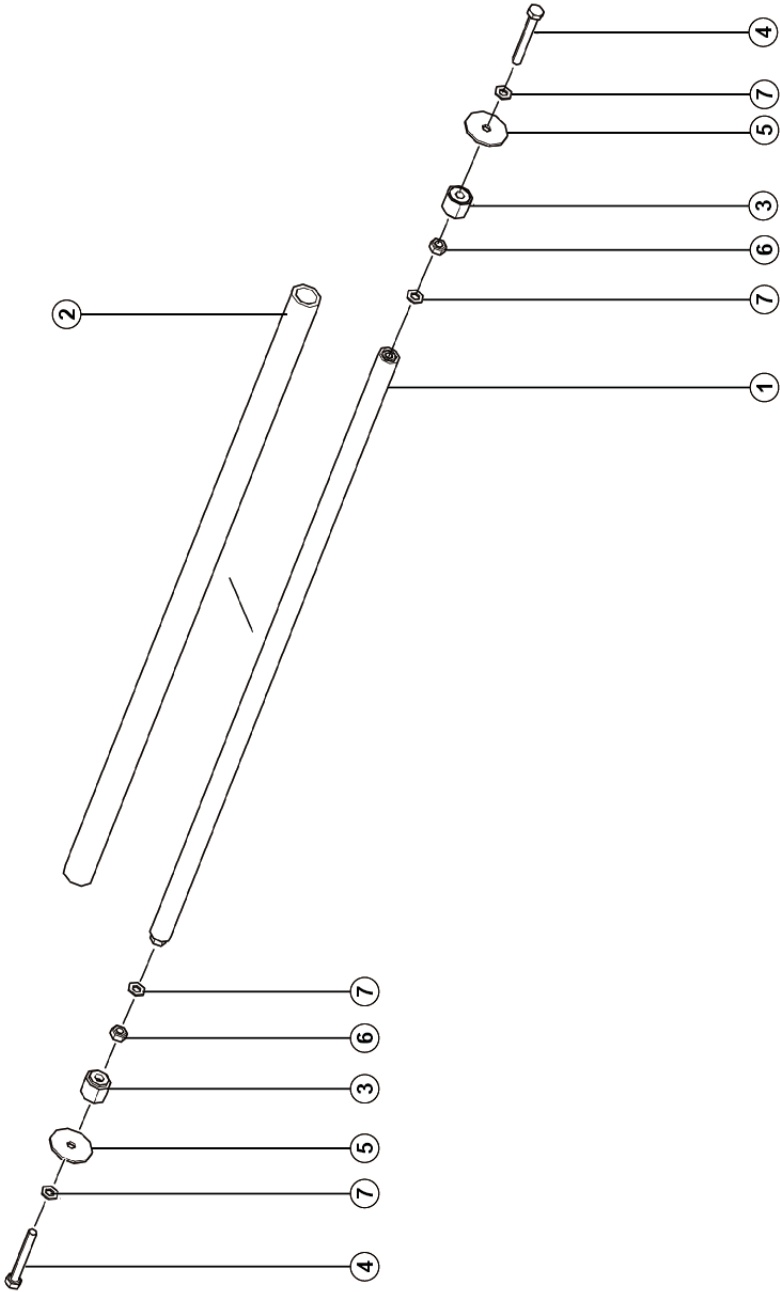


M3300-2533001591.S1A

Item	Part No.	Name	Qty.	Remark
23	4015010365	Washer GB96.1-4flZnyc-300HV-480	7	
24	4014010125	Screw GB818-M4*10flZnyc-4.8-480	7	
25	4130703608	Terminal block ZDU2.5/4AN	21	
26	4130704162	Wire cage 50*25*170	2	
27	25310012721	Resistance 120Ω	1	
28	4130703609	Short-circuit connector ZQV 2.5/2	3	
29	4130704152	Short-circuit connector ZQV2.5/5	1	
30	4130704148	Short-circuit connector ZQV 2.5/4	1	
31	4130703604	Voltage regulator MOD URB2405YMD-6WR3A4S	1	
32	4130704161	Wire cage 50*25*120	1	
33	4130703612	Relay threaded bracket DRM/DRL CLIP M	2	
34	4130703602	I/O module IO-CORE	1	
35	4130702529	Joystick with button JS1000-NY-A-SNNN-TLSW	1	
36	25330015932	Upr control box harness	1	
37	4130703652	Plug M12*1.5 (With nut & gasket)	6	
38	25330015921	Decal-Upr control box decal	1	
39	4130703613	Relay base FS-2CO	2	

J3200-2521004246.S1B-G3

Safety bar assy



M3200-2521004246.S1B

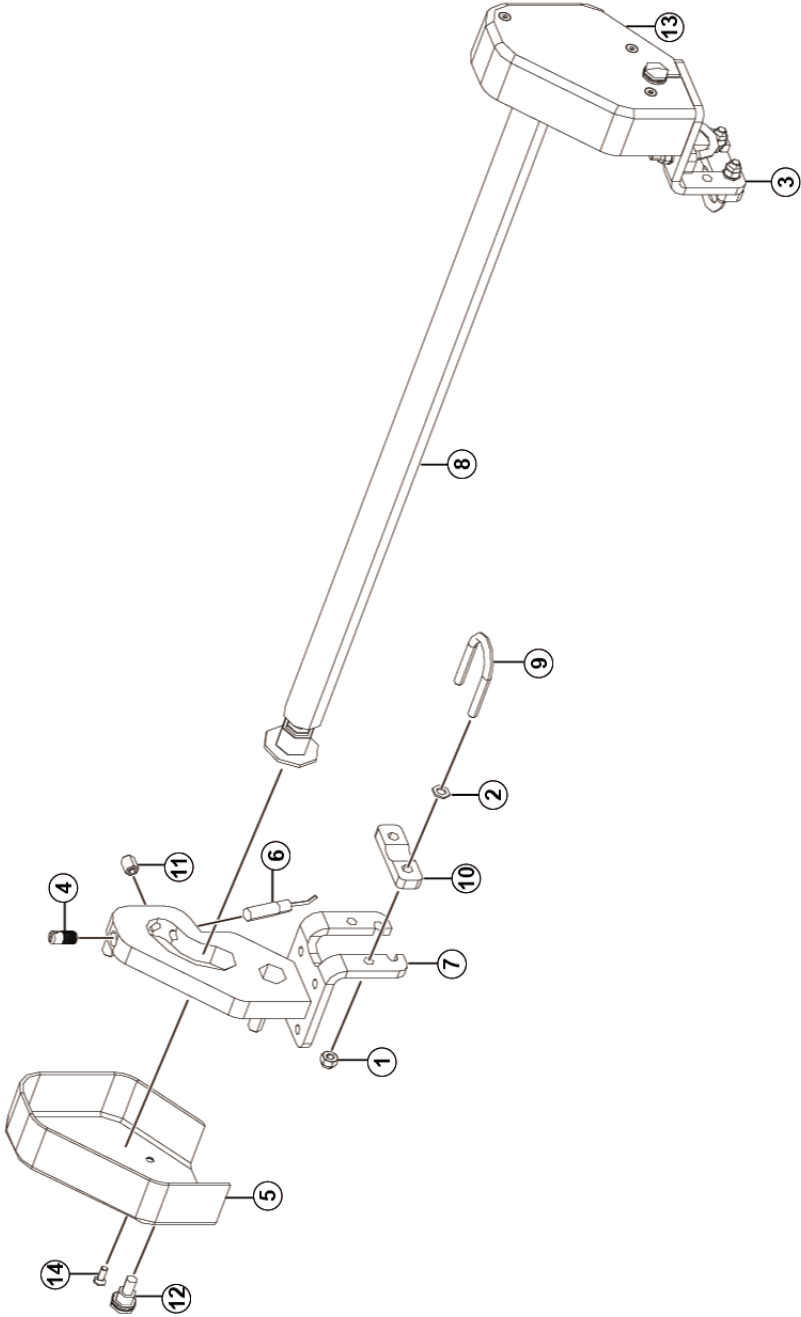
J0000-2500000519.S1A-G1

Schematic

No picture

J3300-2533001594.S1A-G1

Platform protection assy



M3300-2533001594.S1A

Item	Part No.	Name	Qty.	Remark
1	4013010297	Nut GB889.1-M8fIznyc-8-480	8	
2	4015010280	Washer GB97.1-8fIznyc-300HV-480	8	
3	25210042423	LH bracket	1	
4	25210047851	Cylindrical pin	2	
5	25210037244	RH shield	1	
6	4130705077	Proximity Switch XS112B3PCL2	2	
7	25210042433	RH bracket	1	
8		Safety rod assy		For illustration
9	25210037261	U-Bolt M8	4	
10	25210042501	Backing block	4	
11	4014010639	Screw GB77-M12*16fIznyc-45H-480	2	
12	4130702398	LED strobe (Blue)	2	
13	25210037234	LH shield	1	
14	4014010452	Screw GB70.3-M6*16fIznyc-8.8-480	6	

Part number index

Part number index



Part No.	Page Number	Part No.	Page Number	Part No.	Page Number
25000202391	241	25010031791	55	25110001502	51
25000301401	241	25010032591	57	25110001632	51
25010001322	69	25010032761	15	25110001661	197
25010004161	13	25010032871	19	25110001711	199
25010004301	55	25040006862	49	25110001801	199
25010005903	69	25040006902	49	25110001931	199
25010005911	69	25040006911	49	25120000061	203
25010005982	61	25050003954	51	25120001311	203
25010005992	61	25050003962	53	25120001752	203
25010006022	61	25050004311	53	25120001792	209
25010006081	61	25060002551	41	25120001961	203
25010006131	13	25070009581	179	25120002301	205
25010006142	13	25080000143	153	25120002512	169
25010009282	19	25080000151	153	25120002521	205
25010013791	61	25080001001	203	25120002533	205
25010014391	61	25080010942	153	25120002542	169
25010014991	69	25080010952	153	25120002571	185
25010015872	19	25080011082	153	25120002584	207
25010015892	19	25080011131	153	25120002591	205
25010015932	19	25080011142	153	25120002601	205
25010016651	19	25080012121	161	25120002611	205
25010016661	19	25090003171	161	25120002621	205
25010018281	55	25090003601	179	25120002631	205
25010028471	11	25090003611	179	25120002992	205
25010028672	15	25090003641	181	25120003003	205
25010028941	13	25090003671	181	25120003031	209
25010028981	15	25090003711	157	25120003201	209
25010029062	33	25090003731	161	25120003231	209
25010029074	19	25090003751	161	25160000401	51
25010029081	15	25090003761	161	25160034592	51
25010029171	15	25090003771	161	25160034651	51
25010030381	13	25090003801	161	25160034741	51
25010030391	61	25100003302	167	25160034841	51
25010030481	69	25100006921	141	25160035091	51
25010030501	61	25100007832	167	25160050262	51
25010030511	61	25110000231	197	25200000641	49、51、75、97...
25010030521	61	25110000571	199	25200008311	123
25010030531	61	25110001472	199	25200012641	161
25010031391	55	25110001482	197	25210000821	135

Part No.	Page Number	Part No.	Page Number	Part No.	Page Number
25210007181	127、129	25220007611	105	25220058541	97
25210028164	123	25220007631	105、111	25220058551	89、91、93、95
25210028201	133	25220007641	111	25220058581	97
25210028481	123	25220010711	105、111	25220058591	97
25210033691	135	25220010721	111	25220058621	99
25210036551	123	25220015501	119	25220058651	97
25210037234	243	25220018571	105	25220058661	97
25210037244	243	25220027831	117	25220058671	99
25210037261	243	25220032571	117	25220058761	97
25210039561	127	25220032581	117	25220058791	99
25210039571	131	25220040231	115	25220058821	97
25210041111	123	25220042852	115	25220058831	97
25210042423	243	25220042883	117	25220058841	115
25210042433	243	25220042892	117	25220059721	97
25210042451	239	25220042921	115	25220059731	87
25210042472	239	25220043083	99	25220059751	97
25210042501	243	25220043101	97	25230000921	73
25210047851	243	25220044243	111	25230000952	73
25210051481	135	25220044273	103	25230002391	73
25210053551	239	25220044292	97	25230007353	15
25210057124	135	25220044461	111	25230010641	73
25210057342	135	25220044482	117	25230011162	25
25210057401	135	25220044551	115	25230016071	83
25210058171	137	25220044593	97	25230016081	83
25210058973	123	25220045061	115	25230016142	75
25210059301	123	25220045071	115	25230016571	83
25210059342	133	25220045091	105	25230020341	75
25210059352	123	25220046761	151	25230020361	73
25210059361	123	25220047101	117	25230020372	73
25210059653	135	25220047111	115	25230020422	75
25210059731	135	25220047151	115	25230020432	75
25220000611	99	25220047231	103	25230020472	73
25220002821	105	25220047252	117	25230021103	75
25220003141	111	25220049131	117	25230022412	153
25220003151	105、111	25220052191	77、99、115	25230022851	73
25220003191	111	25220057881	97	25230023031	75
25220003211	105	25220057921	117	25230023321	75
25220006652	117	25220058491	89	25230023811	75
25220006662	117	25220058511	97	25230024791	73

Part number index



Part No.	Page Number	Part No.	Page Number	Part No.	Page Number
25230024891	75	25290019901	31、35	25310024871	227
25230024961	75	25290020282	25	25310024882	219
25230025011	77	25290021971	25	25310024891	223
25230025483	73	25290021981	25	25310024901	223
25230025491	75	25290022561	29	25310025052	227
25230025601	73	25290023813	29	25320015671	223
25230025641	75	25290023821	25	25320015681	223
25240000041	33	25290023912	25	25320027164	225
25240000381	109	25290024571	25	25330005073	215
25240000402	109	25290024581	29	25330009871	235
25240005633	113	25290026283	35	25330010571	231
25240005642	113	25310000911	223	25330015341	235
25240005672	113	25310005011	225	25330015351	233
25240005841	113	25310005031	225	25330015902	215
25240005851	113	25310012401	225	25330015911	215
25250000021	79	25310012721	221、237	25330015921	237
25250000071	79	25310012781	233	25330015932	237
25250000082	75	25310012941	219	25330015941	215
25250001501	79	25310012951	219	25330015953	215
25270000441	107	25310012961	219	25330020251	213
25270000451	107	25310014142	233	25340000041	5
25270000462	109	25310014151	217、233	25340000361	3
25270000571	109	25310014431	233	25340000371	3
25270000581	109	25310014661	217、233	25340000391	5
25270000591	109	25310015582	227	25340000411	3
25270000601	109	25310017901	219	25340000421	3
25270000632	109	25310017921	221	25340000431	3
25270003702	109	25310018532	217	25340000451	3
25280001021	15	25310018541	217	25340000481	3
25280004843	81	25310018562	217	25340000631	5
25280004853	81	25310018592	219	25340002471	3
25290002731	23	25310019084	213	25340007861	5
25290002891	25	25310019093	213	25340017751	3
25290005903	25、31、35	25310020771	219	25340018091	3
25290013282	29	25310020911	231	25340020261	5
25290017621	29、35	25310021231	223	25340026571	3
25290018092	29	25310023571	227	25340026921	3
25290018182	25	25310023581	225	25340031431	5
25290019882	35	25310024101	225	25340032431	5

Part No.	Page Number	Part No.	Page Number	Part No.	Page Number
25340032672	5	4011010763	49、53	4011011163	37
25340033371	7	4011010825	109	4011011173	11
25340034501	5	4011010864	37、81	4011011175	205
25340034781	7	4011010879	37	4011011342	239
25340035501	3	4011010947	113	4011011410	179
25340035511	3	4011010950	203	4011011426	19
25340036411	5	4011010953	109	4011011428	61
25340040141	7	4011010956	123、213	4011011430	19
25340041111	5	4011010962	157	4011011433	75
25340042011	7	4011010964	159、181	4011011462	37
25340042181	7	4011010966	161、181	4011011466	51、201
25340043871	7	4011010970	51、61、161	4011011473	19
25360004161	227	4011010972	113	4011011483	79
25510001411	229	4011010973	207	4011011495	49
25550000931	61	4011010976	13、61	4011011498	79
25560000861	69	4011010978	97、179	4011011508	199
25700000581	231	4011010979	167	4011011550	81
25820000241	37	4011010981	51	4011011580	181
25820000251	37	4011010989	161	4011011631	55、225
4011010490	161	4011010995	155	4011011657	19
4011010621	179	4011010997	153	4011011690	99、115
4011010706	11、13、77、109...	4011010999	199	4013000028	217、233
4011010707	11、15、51、75...	4011011002	161	4013000033	127
4011010708	27、61、161	4011011009	45	4013000210	127
4011010711	25、41、51、73...	4011011038	141、157	4013010291	129、215、225
4011010712	55	4011011046	61	4013010292	69
4011010722	15、25、49、75...	4011011059	25	4013010293	217、233
4011010726	29、35	4011011061	167	4013010296	13、17、25、55...
4011010727	25、69、75、109...	4011011077	57	4013010297	19、25、29、35...
4011010731	223	4011011079	141	4013010300	61、109、131...
4011010736	153	4011011086	55	4013010301	123、167、213
4011010743	69、73、215	4011011088	227	4013010302	19
4011010744	131、135、223	4011011104	17、55、61	4013010304	233、235
4011010745	227	4011011113	55	4013010305	29、227、231
4011010746	97	4011011114	15	4013010314	69、203
4011010747	15	4011011116	17	4013010315	123
4011010748	41、75、105...	4011011117	77	4013010349	25、31、35
4011010754	55	4011011135	19	4013010360	23、213、223
4011010757	117、135	4011011158	233	4013010370	207、219

Part number index



Part No.	Page Number	Part No.	Page Number	Part No.	Page Number
4013010371	239	4014010452	217、243	4016010252	197
4013010377	79	4014010453	49	4016010259	117、197
4013010381	129	4014010455	123	4017000009	13
4013010383	73、115、137	4014010484	213、227	4017000010	69
4013010386	29、35	4014010490	29	4017000013	63
4013010388	117	4014010492	215、223	4017000014	63
4013010401	49	4014010512	151	4017000040	55
4013010403	79	4014010592	205	4017010173	55
4013010412	69	4014010593	29	4019000059	5
4013010414	169	4014010609	151	4030000065	79
4013010417	123	4014010639	243	4030000130	219
4013010519	197	4014010644	77	4030000134	141
4013010530	197	4014010655	141	4030000536	179
4014010108	45、221	4014010658	113	4030000619	141
4014010113	227	4014010665	169	4030100411	123
4014010119	61	4015000072	127	4041002377	213、227
4014010121	23、235	4015000121	55	4041002384	57
4014010122	215、221、231	4015000207	217、233	4041010597	215、227
4014010125	29、35、221...	4015010278	13、15、25、61...	4041010653	55
4014010130	223	4015010280	21、29、35、37...	4045010438	227
4014010131	29、213	4015010283	19、29、45、213...	4045010441	225
4014010181	115	4015010284	63、109、131...	4045010442	227
4014010241	213	4015010286	77、157、167	4045010443	225
4014010246	225	4015010287	19、37、77、97...	4045010444	227
4014010252	135	4015010289	25、51、63、69...	4045010445	227
4014010275	203	4015010290	213、223、233...	4049010114-008	55
4014010295	79	4015010296	63、115、131...	4049010121-002	55
4014010306	15	4015010323	117	4049010132-009	55
4014010339	53	4015010334	77、81	4049010263-001	55
4014010345	151	4015010338	49、53、77、79	4049010266-001	57
4014010351	73	4015010339	11、13、17、19...	4049010268-001	55
4014010357	19、225	4015010340	15、19、51、55...	4090100284	135
4014010359	21、113	4015010341	19、37、157	4110000028	23
4014010420	125、227	4015010345	29、231	4110001403	63
4014010422	223	4015010364	123	4110001498	63
4014010426	81	4015010365	23、29、35、215...	4110001498002	43
4014010430	215	4015010372	81	4110001498003	43
4014010441	73	4016010174	23	4110001498004	43
4014010444	123	4016010175	23	4110001498005	43

Part No.	Page Number	Part No.	Page Number	Part No.	Page Number
4110001498006	43	4110705242	49、53	4120001427002	149
4110001806	65	4110705243	49、53	4120001427003	149
4110001809	65	4110705279	15	4120001427004	149
4110001811001	65	4110705279199	67	4120001427005	149
4110001811002	67	4110705279200	67	4120001428	157、181
4110001811006	67	4110705279201	67	4120001428001	147
4110001811249	65	4110705279212	65	4120001428002	147
4110001811326	67	4110705279213	65	4120001428003	147
4110001811346	67	4110705279227	67	4120001428004	147
4110001811387	67	4110705388	49	4120001428006	147
4110001811389	67	4110705389	53	4120001428007	147
4110001811392	65	4110705803	37	4120001428008	147
4110001811393	65	4110705808	37	4120001490007	173
4110001811394	65	4110705866	11	4120001493	173
4110001811398	67	4110705955	37	4120001549	205
4110001811399	67	4110706467	45	4120001571010	145
4110001811443	65	4120000534	167	4120002235	151、179
4110001811444	65	4120000619	197、207	4120002398	141
4110001811445	65	4120000669	141	4120002399	171
4110001811446	65	4120000865	159	4120002602007	145
4110001811508	65	4120001159010	171	4120005128	159
4110001811554	65	4120001165	41、199	4120703067008	165
4110702364030	65	4120001166	39、157、199	4120703067011	165
4110702364032	67	4120001168	39、197	4120703386	199
4110703142	19	4120001170	41、157、197、203	4120703560	141、167
4110703186001	65	4120001177	159	4120703948	141
4110703246042	67	4120001188	41、157、207	4120704063	141
4110703246044	65	4120001224	41、151、197、207	4120704109	141
4110703246045	65	4120001294	197	4120704423-001	159
4110703246046	65	4120001373	153	4120704468-001	161
4110703246050	65	4120001391	41、157、197、203	4120704543006	173
4110703246051	65	4120001419	141	4120704653001	171
4110703262	13	4120001419001	175	4120704907	159
4110703262001	59	4120001419002	175	4120704913	197
4110703262002	59	4120001419004	175	4120704914	185
4110703262004	59	4120001419009	175	4120704923-005	197
4110703281	69	4120001419010	175	4120704926	205
4110703334	45	4120001427	141	4120704937-031	203
4110705155005	59	4120001427001	149	4120704957	179

Part number index



Part No.	Page Number	Part No.	Page Number	Part No.	Page Number
4120704960	179	4120707234-004	197	4120709047104	165
4120704961	41、159	4120707550	181	4120709047105	165
4120704980-032	203	4120707614	203	4120709047106	165
4120704980-033	209	4120707614001	171	4120709047107	165
4120704980-034	39	4120707639	179	4120709047108	165
4120705075-007	39	4120707922	161	4120709047109	165
4120705139-019	205	4120707943-004	199	4120709068	209
4120705178-006	197	4120707943-005	201	4120709068001	145
4120705424-006	205	4120707982	203	4120709122-004	199
4120705457	181	4120707982001	195	4120709122-005	197
4120705461-006	39	4120708163-003	201	4120709123-002	199
4120705607	203	4120708249-005	39	4120709123-003	197
4120705607002	47、163	4120708353	159	4120709212-001	157
4120705621	159、181	4120708355	159	4120709263-015	39
4120705622	181	4120708568	157、181	4120709263-016	39
4120705901	151、197、207	4120708639	41	4120709264	41
4120705925-022	203	4120708648	201	4120709279	41
4120706150	181	4120708648001	173	4120709356	199
4120706262	205	4120708697	181	4120709365	199
4120706274-004	159	4120708714	199	4120709367	69
4120706274-005	159	4120708714001	47、189	4120709376	39
4120706329009	193	4120708782-012	209	4120709541	159
4120706329015	193	4120708782-013	205	4120709543	151
4120706329016	193	4120708933	153	4120709550	205
4120706329022	193	4120709014	151	4120709550001	177
4120706440	157	4120709047	157	4120709551	207
4120706712-006	197	4120709047002	191	4120709551001	187
4120706852	41	4120709047003	191	4120709578	151
4120706861002	165	4120709047004	191	4120709587-005	39
4120706861009	165	4120709047005	191	4120709597-006	39
4120706885	179	4120709047006	191	4120709604	207
4120706890	39、153、207	4120709047007	191	4120709790	157
4120706923	151	4120709047008	191	4120709870	151
4120706929	153	4120709047009	191	4120709874-004	201
4120706930	161、181	4120709047010	191	4120709902	179
4120706945	159、179	4120709047011	191	4120709904	179
4120707032	143	4120709047101	165	4120709916-002	39
4120707096	159	4120709047102	165	4120709918	181
4120707172-006	157	4120709047103	165	4120709932	181

Part No.	Page Number	Part No.	Page Number	Part No.	Page Number
4120710006	179	4120711767	207	4130702665	225
4120710008	167	4120711768	207	4130703141	213
4120710019	207	4120711768-001	207	4130703601	219
4120710203-003	159	4120711769	153	4130703602	237
4120710208	179	4120711769-001	153	4130703603	219
4120710368	179	4120711770	153	4130703604	237
4120710437	157	4120711770-001	153	4130703605	221、 235
4120710456-001	157	4120711780	39	4130703606	221
4120710601-002	209	4120711781	39	4130703608	221、 237
4120710601-003	205	4120711782	39	4130703609	221、 237
4120710914	79	4120711783	39	4130703611	235
4120710965	151	4120712092	151	4130703612	237
4120710990	183	4129900116002	145、 171	4130703613	237
4120711004-001	161	4129900308	151	4130703614	221
4120711009-001	39	4129900311	159、 181	4130703615	219、 235
4120711010-001	39	4129900314	41、 153、 181...	4130703627	219、 235
4120711024	157	4130000723	219	4130703628	219、 235
4120711030	159	4130000797	219、 235	4130703629	221、 235
4120711094	183	4130000956	225	4130703632	221
4120711317-001	157	4130000974	223	4130703635	219、 235
4120711411	183	4130001029	225	4130703636	219、 235
4120711430	153	4130001188	221	4130703641	221
4120711430-001	151	4130701399	227	4130703647	221
4120711430-002	209	4130701536	225	4130703652	221、 237
4120711430-003	209	4130701734	225	4130703757	235
4120711430-004	209	4130701799	231	4130703771	221、 235
4120711430-005	207	4130701800	231	4130703986	235
4120711431	153	4130701801	231	4130703995	235
4120711431-001	151	4130701802	231	4130703996	235
4120711432	153	4130701803	231	4130703997	235
4120711432-001	151	4130701806	231	4130703998	213
4120711517	183	4130701854	213	4130704148	237
4120711518	183	4130702061	213	4130704149	221
4120711519	183	4130702062	215	4130704152	237
4120711759	207	4130702070	219、 235	4130704161	237
4120711760	207	4130702113	223	4130704162	237
4120711761	207	4130702398	243	4130704250	221
4120711761-001	209	4130702529	237	4130704304	213
4120711766	207	4130702530	235	4130704486	239

Part number index



Part No.	Page Number	Part No.	Page Number	Part No.	Page Number
4130704668	227				
4130704672	213				
4130704969	225				
4130705077	243				
4130705088	227				
4130705197	223				
4190000208	161				
4190000698	39、79、159、203				
4190001525	131				
4190002630	69				
4190703890	15				
4190704342	15				
4190704561	135				
4190704822	135				
4190704978	135				
4190705114	29、35				
4190706171	29				
4190706832	217				
4190706901	79				
4190706938	233				
4190707216	109				
4190707275	51				
4190707535	113				
4190707746	29				
4190709501	47				